



EL16XC1
ELITE® Series
R-410A

PRODUCT SPECIFICATIONS

Bulletin No. 210758
 April 2017
 Supersedes March 2017

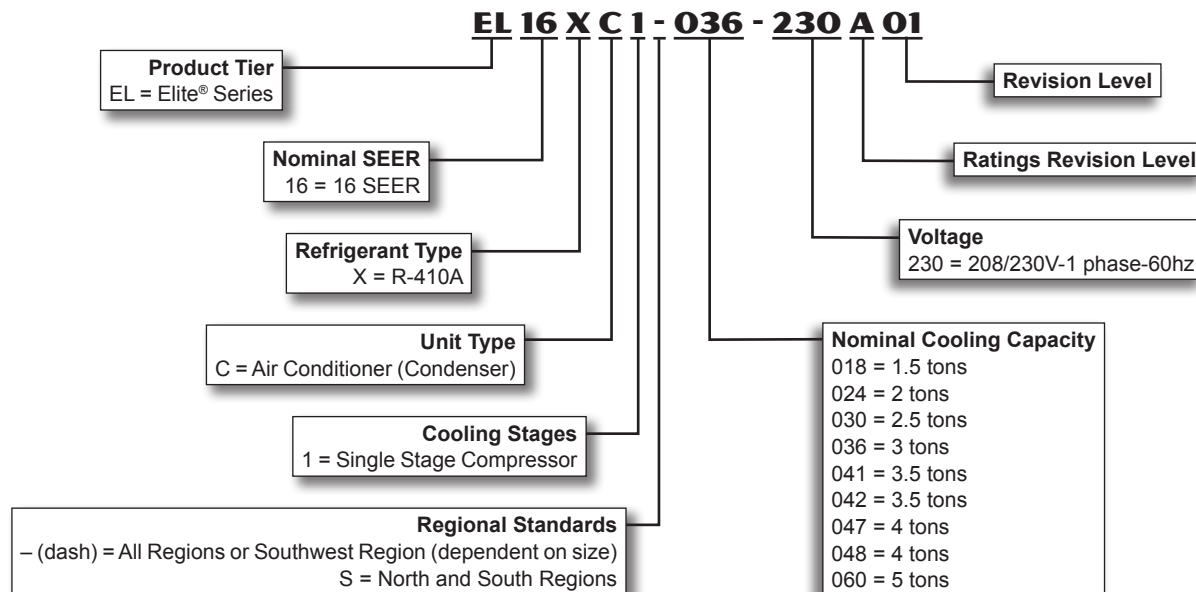
ELITE®
 SERIES



SEER up to 17.90
1.5 to 5 Tons

Cooling Capacity - 17,800 to 60,000 Btuh

MODEL NUMBER IDENTIFICATION



FEATURES

CONTENTS

AHRI System Matches	
All Regions - 018-024-030-041-042-047-048-060	11
North / South Regions - S036	91
Southwest Region - 036	112
Dimensions - Unit	9
Electrical Data	6
Features	2
Field Wiring	8
Installation Clearances	8
Model Number Identification	1
Optional Accessories	6
Outdoor Sound Data	8
Specifications	6

WARRANTY

Compressor - limited warranty for ten years in residential installations and five years in non-residential installations.

All other covered components - five years in residential installations and one year in non-residential installations.

Refer to Lennox Equipment Limited Warranty certificate included with unit for specific details.

APPROVALS

AHRI Certified to AHRI Standard 210/240-2008.

Sound rated in Lennox reverberant sound test room in accordance with test conditions included in AHRI Standard 270-2008.

Tested in the Lennox Research Laboratory environmental test room.

Rated according to U.S. Department of Energy (DOE) test procedures.

Region specific models meet the minimum efficiency requirements for U.S DOE Federal Regional Standards in that area.

Air conditioners and components within bonded for grounding to meet safety standards for servicing required by UL and CEC.

Units are ETL certified for the U.S. and Canada.

ISO 9001 Registered Manufacturing Quality System.

For expanded ratings, see www.LennoxPros.com.

Certain ENERGY STAR® certified units are designed to use less energy, help save money on utility bills, and help protect the environment.



APPLICATIONS

SEER up to 17.90.

1.5 through 5 ton.

Single-phase power supply.

Vertical air discharge allows concealment behind shrubs at grade level or out of sight on a roof.

Matching add-on furnace indoor coils or air handlers provide a wide range of cooling capacities and applications. See AHRI Ratings table. See Indoor Coils and Air Handlers sections for data.

Units shipped completely factory assembled, piped and wired.

Each unit test operated at the factory ensuring proper operation. Installer must set air conditioner, connect refrigerant lines and make electrical connections to complete job.

FEATURES

REFRIGERATION SYSTEM

R-410A Refrigerant

Non-chlorine, ozone friendly, R-410A.
Unit pre-charged with refrigerant.
See Specification table.



1 Outdoor Coil Fan

Direct drive fan moves large air volumes uniformly through entire condenser coil for high refrigerant cooling capacity.

Vertical air discharge minimizes operating sounds and eliminates damage to lawn and shrubs.

Fan motor has sleeve bearings and is inherently protected.

Motor totally enclosed for maximum protection from weather, dust and corrosion.

Fan guard constructed of corrosion-resistant PVC (polyvinyl chloride) coated steel.

Fan service access accomplished by removal of fan guard.

2 Lennox Quantum™ Coil

Enhanced aluminum alloy tube/enhanced fin coil for superior corrosion resistance.

Lennox designed and fabricated coil.

Ripple-edged aluminum fins.

Aluminum tube construction.

Lanced fins provide maximum exposure of fin surface to air stream resulting in excellent heat transfer.

Fin collars grip tubing for maximum contact area.

Flared shoulder tubing connections.

Coil is factory tested under high pressure to insure leakproof construction.

Entire coil is accessible for cleaning.

3 High Capacity Liquid Line Drier

Approved for use with R-410A systems.

Traps any moisture or dirt that could contaminate the refrigerant system.

4 High Pressure Switch

Shuts off unit if abnormal operating conditions cause the discharge pressure to rise above setting.

Protects compressor from excessive condensing pressure.

Auto-reset.

Discharge Thermostat

Factory installed on the discharge line of the compressor. SPST, auto-reset

Removes power from the compressor when discharge temperature exceeds the factory setting of 220°F.

Refrigerant Flow Control

Units applicable to expansion valve systems or RFC systems when matched with specific indoor coils.

RFCIV:

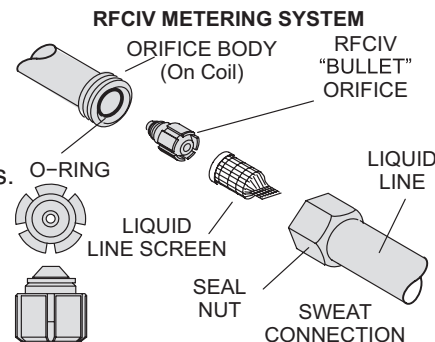
Accurately meters refrigerant in system.

Refrigerant control is accomplished by exact sizing of refrigerant metering orifice.

The principle involves matching indoor coil with proper bore size of orifice in metering device.

Equalizes pressure shortly after compressor stops, unit starts unloaded, eliminating need for additional controls.

Furnished with air conditioner.



Optional Accessories

Expansion Valve Kits

Must be ordered extra and field installed on certain indoor units.

See TXV/Orifice Usage table.

Chatleff-style fittings.

Freezestat

Installs on or near the vapor line of the indoor coil or on the suction line.

Senses suction line temperature and cycles the compressor off when suction line temperature falls below its setpoint.

Opens at 29°F and closes at 58°F.

Loss of Charge Switch Kit

Helps protect the compressor from damage due to low refrigerant charge conditions.

SPST, normally-closed switch, automatic reset switch mounted on suction line.

Refrigerant Line Kits

Refrigerant lines (suction & liquid) are shipped refrigeration clean.

Lines are cleaned, dried, pressurized and sealed at factory.

Suction line fully insulated.

Lines are stubbed at both ends.

Not available for -060 models and must be field fabricated.

FEATURES

COMPRESSOR

5 Scroll Compressor

Compressor features high efficiency with uniform suction flow, constant discharge flow, high volumetric efficiency and quiet operation.

Compressor consists of two involute spiral scrolls matched together to generate a series of crescent shaped gas pockets between them.

During compression, one scroll remains stationary while the other scroll orbits around it.

Gas is drawn into the outer pocket, the pocket is sealed as the scroll rotates.

As the spiral movement continues, gas pockets are pushed to the center of the scrolls. Volume between the pockets is simultaneously reduced.

When the pocket reaches the center, gas is now at high pressure and is forced out of a port located in the center of the fixed scrolls.

During compression, several pockets are compressed simultaneously resulting in a smooth continuous compression cycle.

Continuous flank contact, maintained by centrifugal force, minimizes gas leakage and maximizes efficiency.

Scroll compressor is tolerant to the effects of slugging and contaminants. If this occurs, scrolls separate, allowing liquid or contaminants to be worked toward the center and discharged.

Low gas pulses during compression reduces operational sound levels.

Compressor motor is internally protected from excessive current and temperature.

Compressor is installed in the unit on specially formulated, resilient rubber base for improved sound dampening and vibration-free operation resulting in quieter operating sound levels. See Outdoor Sound Data table for details.

Compressor Crankcase Heater (060 Models)

Protects against refrigerant migration that can occur during low ambient operation.

Factory Installed.

Compressor Sound Dampening System

A polyethylene compressor cover containing a 2 inch thick batt of fiberglass insulation for better sound dampening.

All open edges are sealed with a one-inch wide hook and loop fastening tape.



Optional Accessories

Compressor Crankcase Heater (018 thru 048 models)

Protects against refrigerant migration that can occur during low ambient operation.

Compressor Hard Start Kit

Single-phase units are equipped with a PSC compressor motor. This type of motor normally doesn't need a potential relay and start capacitor.

In conditions such as low voltage, this kit may be required to increase the compressor starting torque.

Compressor Low Ambient Cut-Off Switch

Non-adjustable switch (low ambient cut-out) prevents compressor operation when outdoor temperature is below 35°F.

CONTROLS

Optional Accessories

Indoor Blower Off Delay Relay

Delays the indoor blower-off time during the cooling cycle.

See AHRI System Matches for usage.

Low Ambient Kit

Air conditioners operate satisfactorily down to 45°F outdoor air temperature without any additional controls.

Low Ambient Control Kit can be field installed, allowing unit operation down to 30°F.

Crankcase heater and freezestat should be installed on compressors equipped with a Low Ambient Kit.

A compressor lock-out thermostat should be added to terminate compressor operation below recommended operation conditions

Thermostat

Thermostat not furnished with unit. See Thermostat bulletins in Controls Section and Lennox Price Book.

Compressor Timed-Off Control

Kit prevents compressor short-cycling and allows time for suction and discharge pressure to equalize.

Permits compressor start-up in an unloaded condition.

Automatic reset with 5 minute delay between compressor shut-off and start-up.

FEATURES

CABINET

- 6 Heavy-gauge steel construction
Pre-painted cabinet finish.
Control box is conveniently located with all controls factory wired.
Corner patch plate allows access to compressor components.
Drainage holes are provided in base section for moisture removal.
High density polyethylene unit support feet raise the unit off of the mounting surface, away from damaging moisture.

PermaGuard™ Unit Base

Durable zinc-coated base section resists rust and corrosion.

7 **SmartHinge™ Louvered Coil Protection**

Steel louvered panels provides complete coil protection.

Panels are hinged to allow easy cleaning and servicing of coils.

Panels may be completely removed.

Interlocking tabs and slots assure tight fit on cabinet.



8 **Refrigerant Line**

Connections, Electrical Inlets and Service Valves

Suction and liquid lines are located on corner of unit cabinet and are made with sweat connections.

See dimension drawing.

Fully serviceable brass service valves prevent corrosion and provide access to refrigerant system. Suction valve can be fully shut off, while liquid valve may be front seated to manage refrigerant charge while servicing system.

Refrigerant line connections and field wiring inlets are located in one central area of the cabinet.

See dimension drawing.

SPECIFICATIONS

General Data	Model No.	All Regions	EL16XC1-018	EL16XC1-024	EL16XC1-030	---
		North / South Regions	---	---	---	EL16XC1S036
		Southwest Region	---	---	---	EL16XC1-036
		Nominal Tonnage	1.5	2	2.5	3
Connections (sweat)		Liquid line (o.d.) - in.	3/8	3/8	3/8	3/8
		Suction line (o.d.) - in.	3/4	3/4	3/4	7/8
Refrigerant		¹ R-410A charge furnished	4 lbs. 9 oz.	4 lbs. 9 oz.	5 lbs. 8 oz.	7 lbs. 1 oz.
Outdoor Coil	Net face area - sq. ft.	Outer coil	13.22	16.33	21.00	16.33
		Inner coil	---	---	---	15.75
		Tube diameter - in.	5/16	5/16	5/16	5/16
		No. of rows	1	1	1	2
		Fins per inch	26	26	26	22
Outdoor Fan		Diameter - in.	18	22	22	22
		No. of blades	3	3	3	3
		Motor hp	1/10	1/6	1/6	1/6
		Cfm	2290	3160	3160	3160
		Rpm	1075	825	825	825
		Watts	160	215	215	190
Shipping Data - lbs. 1 pkg.			155	171	187	205

ELECTRICAL DATA

Line voltage data - 60hz			208/230V-1ph	208/230V-1ph	208/230V-1ph	208/230V-1ph
² Maximum overcurrent protection (amps)			20	25	25	30
³ Minimum circuit ampacity			11.9	14.6	17	18.0
Compressor		Rated load amps	9.0	10.9	12.8	13.6
		Locked rotor amps	48	59.3	67.8	79
		Power factor	0.97	0.97	0.97	0.96
Outdoor Fan Motor		Full load amps	0.7	1	1	1
		Locked rotor amps	1.3	1.9	1.9	1.9

OPTIONAL ACCESSORIES - ORDER SEPARATELY

Compressor Crankcase Heater		93M04	•	•	•	•
Compressor Hard Start Kit		10J42	•	•	•	•
Compressor Low Ambient Cut-Off Switch		45F08	•	•	•	•
Compressor Timed-Off Control		47J35	•	•	•	•
Freezestat	3/8 in. tubing	93G35	•	•	•	•
	5/8 in. tubing	50A93	•	•	•	•
Indoor Blower Off Delay Relay		58M81	•	•	•	•
Loss of Charge Switch Kit		84M23	•	•	•	•
⁴ Low Ambient Kit (Fan Cycling)		34M72	•	•	•	•
Refrigerant Line Sets	L15-41-20	L15-41-40	•	•	•	
	L15-41-30	L15-41-50				
	L15-65-40	L15-65-40 L15-65-50				•

NOTE - Extremes of operating range are plus 10% and minus 5% of line voltage.

¹ Refrigerant charge sufficient for 15 ft. length of refrigerant lines. For longer line set requirements see the Installation Instructions for information about line set length and additional refrigerant charge required.

² HACR type breaker or fuse.

³ Refer to National or Canadian Electrical Code manual to determine wire, fuse and disconnect size requirements.

⁴ Crankcase Heater and Freezestat are recommended with Low Ambient Kit.

SPECIFICATIONS

General Data	Model No.	All Regions	EL16XC1-041	EL16XC1-042	EL16XC1-047	EL16XC1-048	EL16XC1-060
		Nominal Tonnage	3.5	3.5	4	4	5
Connections (sweat)		Liquid line (o.d.) - in.	3/8	3/8	3/8	3/8	3/8
		Suction line (o.d.) - in.	7/8	7/8	7/8	7/8	1-1/8
Refrigerant		¹ R-410A charge furnished	9 lbs. 9 oz.	8 lbs. 12 oz.	11 lbs. 0 oz.	9 lbs. 12 oz.	12 lbs. 0 oz.
Outdoor Coil	Net face area - sq. ft.	Outer coil	21.00	21.00	22.17	21.00	29.09
		Inner coil	20.25	20.25	21.33	20.25	28.16
		Tube diameter - in.	5/16	5/16	5/16	5/16	5/16
		No. of rows	2	2	2	2	2
		Fins per inch	22	22	22	22	22
Outdoor Fan		Diameter - in.	22	22	26	22	26
		No. of blades	3	3	4	4	3
		Motor hp	1/6	1/6	1/3	1/4	1/3
		Cfm	3050	3050	4400	3600	4550
		Rpm	825	825	825	825	825
		Watts	190	190	310	310	310
Shipping Data - lbs. 1 pkg.			227	234	272	255	284

ELECTRICAL DATA

Line voltage data - 60hz	208/230V-1ph	208/230V-1ph	208/230V-1ph	208/230V-1ph	208/230V-1ph	
² Maximum overcurrent protection (amps)	30	40	35	40	50	
³ Minimum circuit ampacity	19.3	23.4	21.9	24.2	29.6	
Compressor	Rated load amps	14.7	17.9	16.1	18.0	22.2
	Locked rotor amps	75	112	105.5	117	127.9
	Power factor	0.96	0.96	0.98	0.96	0.98
Outdoor Fan Motor	Full load amps	1	1	1.8	1.7	1.8
	Locked rotor amps	1.9	1.9	2.9	3.2	2.9

OPTIONAL ACCESSORIES - ORDER SEPARATELY

Compressor Crankcase Heater	93M04	•	•			
	93M06			•	•	
	Factory					•
Compressor Hard Start Kit	10J42	•	•	•	•	•
Compressor Low Ambient Cut-Off Switch	45F08	•	•	•	•	•
Compressor Timed-Off Control	47J35	•	•	•	•	•
Freezestat	3/8 in. tubing	93G35	•	•	•	•
	5/8 in. tubing	50A93	•	•	•	•
Indoor Blower Off Delay Relay	58M81	•	•	•	•	•
Loss of Charge Switch Kit	84M23	•	•	•	•	•
⁴ Low Ambient Kit (Fan Cycling)	34M72	•	•	•	•	•
Refrigerant Line Sets	L15-65-40	L15-65-40	•	•	•	•
		L15-65-50				
	Field Fabricate					•

NOTE - Extremes of operating range are plus 10% and minus 5% of line voltage.

¹ Refrigerant charge sufficient for 15 ft. length of refrigerant lines. For longer line set requirements see the Installation Instructions for information about line set length and additional refrigerant charge required.

² HACR type breaker or fuse.

³ Refer to National or Canadian Electrical Code manual to determine wire, fuse and disconnect size requirements.

⁴ Crankcase Heater and Freezestat are recommended with Low Ambient Kit.

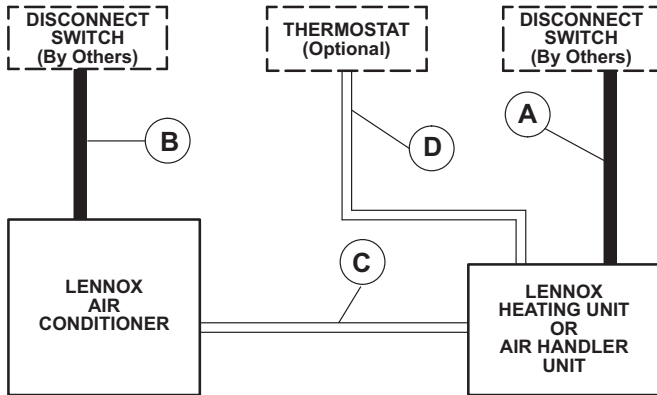
OUTDOOR SOUND DATA

1 Unit Model No.	Octave Band Linear Sound Power Levels dB, re 10 ⁻¹² Watts Center Frequency - HZ							1 Sound Rating Number (dB)
	125	250	500	1000	2000	4000	8000	
EL16XC1-018	55	61	67	68	63.5	59	50.5	72
EL16XC1-024	55	62	67.5	66.5	63	59	52.5	72
EL16XC1-030	54	61.5	66	66	62	57	51	71
EL16XC1-036 / EL16XC1S036	56	66	69	67	62.5	57.5	50.5	73
EL16XC1-041	54.5	62.5	67.5	67	62.5	58.5	52.5	72
EL16XC1-042	55.5	62.5	68	67	62	57.5	51.5	72
EL16XC1-047	55	62	67	66.5	62.5	57.5	49.5	72
EL16XC1-048	55.5	64.5	70	71	65	60.5	54	75
EL16XC1-060	55.5	62.5	67	66.5	62.5	60	53.5	73

NOTE - the octave sound power data does not include tonal correction.

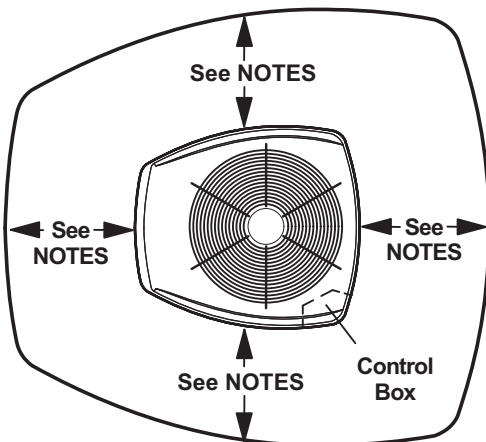
¹ Tested according to AHRI Standard 270-2008 test conditions.

FIELD WIRING



A - Two Wire Power (not furnished)
 B - Two Power (not furnished). See Electrical Data
 C - Four Wire Low Voltage (not furnished). 18 ga. minimum
 D - Five Wire Low Voltage (not furnished). 18 ga. minimum
 All wiring must conform to NEC or CEC and local electrical codes.

INSTALLATION CLEARANCES - INCHES (MM)



NOTES:

Service clearance of 30 in. (762 mm) must be maintained on one of the sides adjacent to the control box.

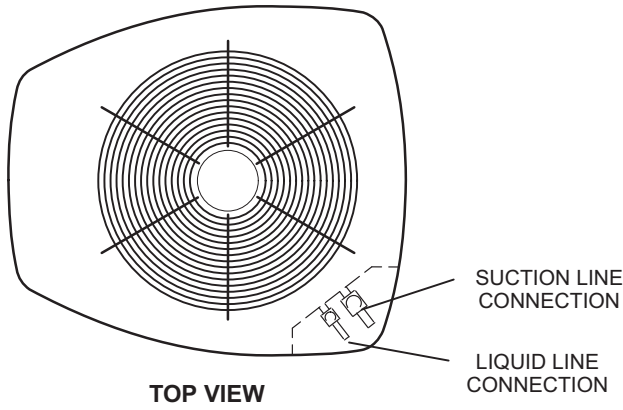
Clearance to one of the other three sides must be 36 in. (914 mm)

Clearance to one of the remaining two sides may be 12 in. (305 mm) and the final side may be 6 in. (152 mm).

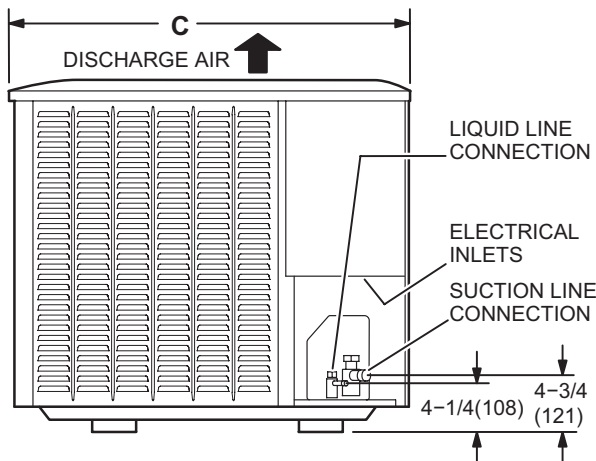
A clearance of 24 in. (610 mm) must be maintained between two units.

48 in. (1219 mm) clearance required on top of unit.

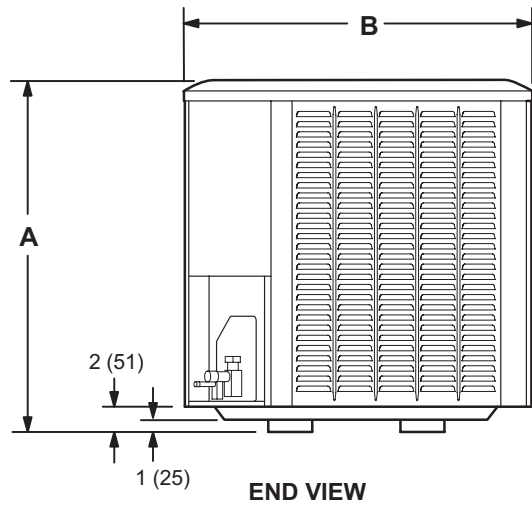
DIMENSIONS - UNIT - INCHES (MM)



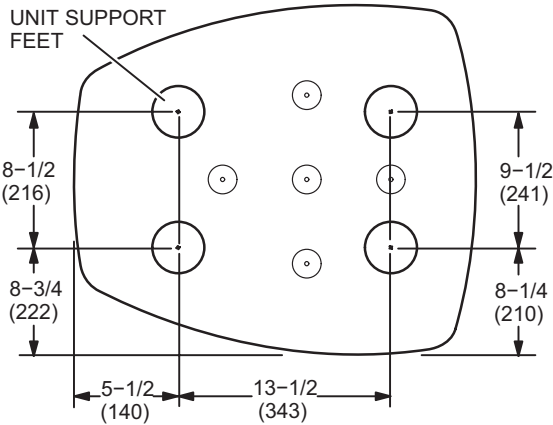
TOP VIEW



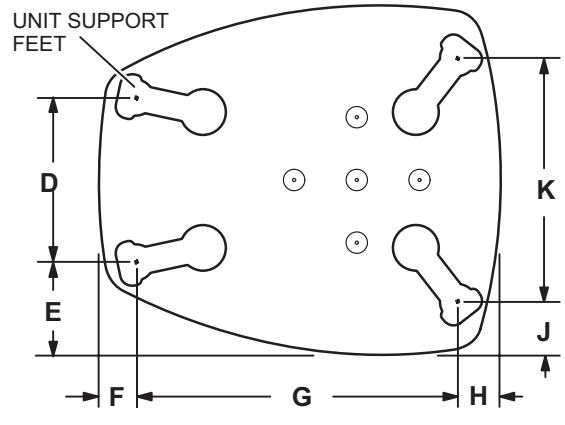
SIDE VIEW



END VIEW



**EL16XC1-018 BASE SECTION
(Small Base)**



**EL16XC1-024 TO -060 BASE SECTION
(Medium and Large Base)**

Model No.	A		B		C		D		E		F		G		H		J		K	
	in.	mm	in.	mm	in.	mm	in.	mm	in.	mm	in.	mm	in.	mm	in.	mm	in.	mm	in.	mm
EL16XC1-018	31	787	27	686	28	711	---	---	---	---	---	---	---	---	---	---	---	---	---	---
EL16XC1-024	31	787	30-1/2	775	35	889	13-7/8	352	7-3/4	197	3-1/4	83	27-1/8	689	3-5/8	92	4-1/2	114	20-5/8	524
EL16XC1-030	39	991	30-1/2	775	35	889	13-7/8	352	7-3/4	197	3-1/4	83	27-1/8	689	3-5/8	92	4-1/2	114	20-5/8	524
EL16XC1-036 / EL16XC1S036	31	787	30-1/2	775	35	889	13-7/8	352	7-3/4	197	3-1/4	83	27-1/8	689	3-5/8	92	4-1/2	114	20-5/8	524
EL16XC1-041	35	889	30-1/2	775	35	889	13-7/8	352	7-3/4	197	3-1/4	83	27-1/8	689	3-5/8	92	4-1/2	114	20-5/8	524
EL16XC1-042	39	991	30-1/2	775	35	889	13-7/8	352	7-3/4	197	3-1/4	83	27-1/8	689	3-5/8	92	4-1/2	114	20-5/8	524
EL16XC1-047	35	889	35-1/2	902	39-1/2	1003	16-7/8	429	8-3/4	222	3-1/8	79	30-3/4	781	4-5/8	117	3-3/4	95	26-7/8	683
EL16XC1-048	39	991	30-1/2	775	35	889	13-7/8	352	7-3/4	197	3-1/4	83	27-1/8	689	3-5/8	92	4-1/2	114	20-5/8	524
EL16XC1-060	45	1143	35-1/2	902	39-1/2	1003	16-7/8	429	8-3/4	222	3-1/8	79	30-3/4	781	4-5/8	117	3-3/4	95	26-7/8	683

TXV/ORIFICE USAGE

Use this table for C33, CH23, CH33, CH35 and CR33 Field Installed TXV/Orifice Match-Ups.

Model No.	Refrigerant Metering Orifice (RFC)		Thermal Expansion Valve (TXV)
	Order No.	Orifice Size	
EL16XC1-018	97M74	0.053	12J18
EL16XC1-024	97M75	0.057	12J18
EL16XC1-030	10W99	0.065	12J18
EL16XC1-036 EL16XC1S036	11W02	0.073	12J19
EL16XC1-041	97M77	0.074	12J20
EL16XC1-042	97M78	0.076	12J20
EL16XC1-047	10W86	0.080	12J20
EL16XC1-048	11W07	0.083	12J20
EL16XC1-060	11W11	0.093	12J20

CX34 upflow coils and all Lennox air handlers are shipped with a factory installed TXV. In most cases, no change out of the valve is needed.

If a change out is required it will be listed in the "TXV SUBSTITUTIONS" table. The correct TXV must be ordered separately and field installed.

C33 and CH33 coils - Use the orifice shipped with the outdoor unit or replace the factory installed orifice with the expansion valve listed.

CR33 and CH23 coils - Use the orifice shipped with the outdoor unit or use the expansion valve listed.

CH35 coils - Factory installed orifice must be replaced with the expansion valve listed.

*TXV SUBSTITUTIONS

Use this table to determine if the factory installed TXV in the indoor unit needs to be replaced.

Model	Indoor Coil or Air Handler	Factory TXV	Replacement TXV
030	CX34-42	21J20	21J18
030	CX34-43	21J20	21J18
030	CX34/CX35-48	21J20	21J18

*CX34 coils and all air handlers - The factory installed expansion valve must be replaced with the expansion valve listed (ordered separately). If the combination is not listed above, the factory installed TXV is used.

MOST POPULAR MATCHES

Outdoor Unit Model No.	Indoor Unit Model No
EL16XC1-018	CX34-25
EL16XC1-024	CX34-25
EL16XC1-030	CX34-31
EL16XC1-036 EL16XC1S036	CX34-38
EL16XC1-041	CX34-49
EL16XC1-042	CX34-49
EL16XC1-047	CX34-62C
EL16XC1-048	CX34-62C
EL16XC1-060	CX34-62C

AHRI STANDARD 210/240

Cooling or heating capacities are net values, including the effects of blower motor heat, and do not include supplementary heat. Power input is the total power input to the compressor(s) and fan(s), plus any controls and other items required as part of the system for normal operation.

Units which do not have an indoor air-circulating blower furnished as part of the model, i.e., split system with indoor coil only, is established by subtracting from the total cooling capacity 1250 Btu/h per 1,000 cfm, and by adding the same amount to the heating capacity. Total power input for both heating and cooling is increased by 365 W per 1,000 cfm of indoor air circulated.

AHRI SYSTEM MATCHES - ALL REGIONS - 018-024-030-041-042-047-048-060

NOTE - For the latest up-to-date system matches please visit the AHRI web site at <http://www.ahridirectory.org>

Model No.	Expansion Device	Capacity	SEER	EER	Coil or Air Handler	Furnace	AHRI Reference
EL16XC1-018-230A	RFC	18,000	14.00	12.20	C35-30B		8809086
EL16XC1-018-230A	RFC	18,000	14.25	12.20	CH33-31A		8809116
EL16XC1-018-230A	RFC	18,000	14.00	12.20	CH33-31B		8809125
EL16XC1-018-230A	RFC	18,000	14.00	12.20	CR33-30/36A		8809158
EL16XC1-018-230A	RFC	18,000	14.00	12.20	CR33-30/36B		8809163
EL16XC1-018-230A	TXV	17,800	14.50	12.50	C33-18	EL180UH045E36A	8809014
EL16XC1-018-230A	TXV	17,800	14.50	12.50	C33-18	EL180UH045XE36A	8809013
EL16XC1-018-230A	TXV	18,000	16.00	13.00	C33-19	EL180UH045E36A	8809016
EL16XC1-018-230A	TXV	18,000	16.00	13.00	C33-19	EL180UH045XE36A	8809015
EL16XC1-018-230A	TXV	17,900	14.50	12.50	C33-24A	EL180UH045E36A	8809019
EL16XC1-018-230A	TXV	17,900	14.50	12.50	C33-24A	EL180UH045XE36A	8809017
EL16XC1-018-230A	TXV	18,000	14.50	12.20	C33-24B	EL180UH070E36B	8809023
EL16XC1-018-230A	TXV	18,000	14.50	12.20	C33-24B	EL180UH070XE36B	8809022
EL16XC1-018-230A	TXV	18,400	15.10	12.50	C33-24B	EL195UH030XE24B	8809020
EL16XC1-018-230A	TXV	18,400	15.10	12.50	C33-24B	EL195UH045XE24B	8809021
EL16XC1-018-230A	TXV	18,000	14.50	12.20	C33-24B	EL195UH045XE36B	8809024
EL16XC1-018-230A	TXV	18,000	14.50	12.20	C33-24B	EL296UH045XE36B	8809025
EL16XC1-018-230A	TXV	18,000	16.00	13.00	C33-25A	EL180UH045E36A	8809028
EL16XC1-018-230A	TXV	18,000	16.00	13.00	C33-25A	EL180UH045XE36A	8809026
EL16XC1-018-230A	TXV	18,000	14.25	12.20	C33-25A		8809029
EL16XC1-018-230A	TXV	18,000	15.50	12.50	C33-25B	EL180UH070E36B	8809030
EL16XC1-018-230A	TXV	18,000	15.50	12.50	C33-25B	EL180UH070XE36B	8809031
EL16XC1-018-230A	TXV	19,400	16.00	13.00	C33-25B	EL195UH030XE24B	8809032
EL16XC1-018-230A	TXV	19,400	16.00	13.00	C33-25B	EL195UH045XE24B	8809033
EL16XC1-018-230A	TXV	19,400	16.00	13.00	C33-25B	EL195UH045XE36B	8809034
EL16XC1-018-230A	TXV	19,000	16.00	13.00	C33-25B	EL296UH045XE36B	8809035
EL16XC1-018-230A	TXV	19,400	16.00	13.00	C33-25B	EL296UH045XV36B	8809036
EL16XC1-018-230A	TXV	19,000	16.00	13.00	C33-25B	EL296UH070XV36B	8809038
EL16XC1-018-230A	TXV	19,000	16.00	13.00	C33-25B	SLP98UH070XV36B	8809039
EL16XC1-018-230A	TXV	18,000	14.25	12.20	C33-25B		8809040
EL16XC1-018-230A	TXV	18,000	15.50	12.50	C33-30A	EL180UH045E36A	8809041
EL16XC1-018-230A	TXV	18,000	15.50	12.50	C33-30A	EL180UH045XE36A	8809042
EL16XC1-018-230A	TXV	18,000	14.50	12.50	C33-30B	EL180UH070E36B	8809045
EL16XC1-018-230A	TXV	18,000	14.50	12.50	C33-30B	EL180UH070XE36B	8809046
EL16XC1-018-230A	TXV	18,900	15.50	12.50	C33-30B	EL195UH030XE24B	8809043
EL16XC1-018-230A	TXV	18,900	15.50	12.50	C33-30B	EL195UH045XE24B	8809044
EL16XC1-018-230A	TXV	18,000	15.10	12.50	C33-30B	EL195UH045XE36B	8809047
EL16XC1-018-230A	TXV	18,000	15.10	12.50	C33-30B	EL296UH045XE36B	8809049
EL16XC1-018-230A	TXV	18,000	16.00	13.00	C33-31A	EL180UH045E36A	8809050
EL16XC1-018-230A	TXV	18,000	16.00	13.00	C33-31A	EL180UH045XE36A	8809051
EL16XC1-018-230A	TXV	18,000	14.50	12.20	C33-31A		8809052
EL16XC1-018-230A	TXV	18,000	15.50	13.00	C33-31B	EL180UH070E36B	8809053
EL16XC1-018-230A	TXV	18,000	15.50	13.00	C33-31B	EL180UH070XE36B	8809054
EL16XC1-018-230A	TXV	20,000	16.00	13.50	C33-31B	EL195UH030XE24B	8809055
EL16XC1-018-230A	TXV	20,000	16.00	13.50	C33-31B	EL195UH045XE24B	8809056
EL16XC1-018-230A	TXV	18,000	16.00	13.00	C33-31B	EL195UH045XE36B	8809057
EL16XC1-018-230A	TXV	18,000	16.00	13.00	C33-31B	EL296UH045XE36B	8809058
EL16XC1-018-230A	TXV	20,000	16.00	13.50	C33-31B	EL296UH045XV36B	8809059
EL16XC1-018-230A	TXV	19,600	17.00	13.50	C33-31B	EL296UH070XV36B	8809060

NOTES:

TXV = Matched with Thermostatic Expansion Valve.

RFC = Matched with RFC metering device.

AHRI certified to AHRI Standard 210/240 (with 25 ft. of connecting refrigerant lines); 95°F outdoor air temperature, 80°F db / 67°F wb entering evaporator air.

All ratings include the use of a blower time delay relay (TDR). All Lennox variable-speed furnaces and Air Handlers have time delay capabilities. Other Furnaces and Air Handlers may require an optional time delay relay (**58M81**) for field installation. See furnace or air handler specifications to determine if relay is needed.

Also see Expansion Valve Kit Usage Table.

AHRI SYSTEM MATCHES - ALL REGIONS - 018-024-030-041-042-047-048-060

NOTE - For the latest up-to-date system matches please visit the AHRI web site at <http://www.ahridirectory.org>

Model No.	Expansion Device	Capacity	SEER	EER	Coil or Air Handler	Furnace	AHRI Reference
EL16XC1-018-230A	TXV	19,600	17.00	13.50	C33-31B	SLP98UH070XV36B	8809061
EL16XC1-018-230A	TXV	18,000	14.50	12.20	C33-31B		8809062
EL16XC1-018-230A	TXV	18,000	16.00	13.00	C35-24A	EL180UH045E36A	8809063
EL16XC1-018-230A	TXV	18,000	16.00	13.00	C35-24A	EL180UH045XE36A	8809064
EL16XC1-018-230A	TXV	18,000	15.50	12.50	C35-24B	EL180UH070E36B	8809067
EL16XC1-018-230A	TXV	18,000	15.50	12.50	C35-24B	EL180UH070XE36B	8809068
EL16XC1-018-230A	TXV	19,600	16.00	13.00	C35-24B	EL195UH030XE24B	8809065
EL16XC1-018-230A	TXV	19,600	16.00	13.00	C35-24B	EL195UH045XE24B	8809066
EL16XC1-018-230A	TXV	19,600	16.00	13.00	C35-24B	EL195UH045XE36B	8809069
EL16XC1-018-230A	TXV	19,600	16.00	13.00	C35-24B	EL296UH045XE36B	8809070
EL16XC1-018-230A	TXV	19,600	16.00	13.00	C35-24B	EL296UH045XV36B	8809071
EL16XC1-018-230A	TXV	19,600	16.00	13.00	C35-24B	EL296UH070XV36B	8809072
EL16XC1-018-230A	TXV	19,600	16.00	13.00	C35-24B	SLP98UH070XV36B	8809073
EL16XC1-018-230A	TXV	18,000	16.00	13.00	C35-30A	EL180UH045E36A	8809074
EL16XC1-018-230A	TXV	18,000	16.00	13.00	C35-30A	EL180UH045XE36A	8809075
EL16XC1-018-230A	TXV	18,000	14.50	12.20	C35-30A		8809076
EL16XC1-018-230A	TXV	18,000	15.50	13.00	C35-30B	EL180UH070E36B	8809079
EL16XC1-018-230A	TXV	18,000	15.50	13.00	C35-30B	EL180UH070XE36B	8809080
EL16XC1-018-230A	TXV	20,000	16.00	13.50	C35-30B	EL195UH030XE24B	8809077
EL16XC1-018-230A	TXV	20,000	16.00	13.50	C35-30B	EL195UH045XE24B	8809078
EL16XC1-018-230A	TXV	18,000	16.00	13.00	C35-30B	EL195UH045XE36B	8809081
EL16XC1-018-230A	TXV	18,000	16.00	13.00	C35-30B	EL296UH045XE36B	8809082
EL16XC1-018-230A	TXV	20,000	16.00	13.50	C35-30B	EL296UH045XV36B	8809083
EL16XC1-018-230A	TXV	20,000	17.00	13.50	C35-30B	EL296UH070XV36B	8809084
EL16XC1-018-230A	TXV	20,000	17.00	13.50	C35-30B	SLP98UH070XV36B	8809085
EL16XC1-018-230A	TXV	18,000	14.50	12.20	C35-30B		8809087
EL16XC1-018-230A	TXV	18,000	15.50	12.50	CBX25UHV-018		8809088
EL16XC1-018-230A	TXV	18,000	16.00	13.00	CBX25UHV-024		8809089
EL16XC1-018-230A	TXV	18,000	16.00	13.00	CBX27UH-018		8809090
EL16XC1-018-230A	TXV	18,000	16.00	13.00	CBX27UH-024		8809091
EL16XC1-018-230A	TXV	18,000	14.50	12.20	CBX32M-018/024		8809092
EL16XC1-018-230A	TXV	18,000	14.50	12.50	CBX32M-030		8809093
EL16XC1-018-230A	TXV	18,000	16.00	13.00	CBX32MV-018/024		8809094
EL16XC1-018-230A	TXV	18,000	16.00	13.00	CBX32MV-024/030		8809095
EL16XC1-018-230A	TXV	18,000	16.00	13.00	CBX40UHV-024		8809096
EL16XC1-018-230A	TXV	18,000	16.00	13.00	CBX40UHV-030		8809097
EL16XC1-018-230A	TXV	18,000	16.00	13.00	CH33-19	EL180UH045E36A	8809098
EL16XC1-018-230A	TXV	18,000	16.00	13.00	CH33-19	EL180UH045XE36A	8809099
EL16XC1-018-230A	TXV	18,000	15.50	12.50	CH33-24/30	EL180UH045E36A	8809100
EL16XC1-018-230A	TXV	18,000	15.50	12.50	CH33-24/30	EL180UH045XE36A	8809102
EL16XC1-018-230A	TXV	18,000	16.00	13.00	CH33-25A	EL180UH045E36A	8809103
EL16XC1-018-230A	TXV	18,000	16.00	13.00	CH33-25A	EL180UH045XE36A	8809104
EL16XC1-018-230A	TXV	18,000	15.50	12.50	CH33-25B	EL180UH070E36B	8809105
EL16XC1-018-230A	TXV	18,000	15.50	12.50	CH33-25B	EL180UH070XE36B	8809106
EL16XC1-018-230A	TXV	19,800	16.00	13.00	CH33-25B	EL195UH0430XE24B	8809107
EL16XC1-018-230A	TXV	19,800	16.00	13.00	CH33-25B	EL195UH045XE24B	8809109
EL16XC1-018-230A	TXV	19,400	16.00	13.00	CH33-25B	EL195UH045XE36B	8809110
EL16XC1-018-230A	TXV	19,400	16.00	13.00	CH33-25B	EL296UH045XE36B	8809111
EL16XC1-018-230A	TXV	19,400	16.00	13.00	CH33-25B	EL296UH045XV36B	8809112

NOTES:

TXV = Matched with Thermostatic Expansion Valve.

RFC = Matched with RFC metering device.

AHRI certified to AHRI Standard 210/240 (with 25 ft. of connecting refrigerant lines); 95°F outdoor air temperature, 80°F db / 67°F wb entering evaporator air.

All ratings include the use of a blower time delay relay (TDR). All Lennox variable-speed furnaces and Air Handlers have time delay capabilities. Other Furnaces and Air Handlers may require an optional time delay relay (**58M81**) for field installation. See furnace or air handler specifications to determine if relay is needed.

Also see Expansion Valve Kit Usage Table.

AHRI SYSTEM MATCHES - ALL REGIONS - 018-024-030-041-042-047-048-060

NOTE - For the latest up-to-date system matches please visit the AHRI web site at <http://www.ahridirectory.org>

Model No.	Expansion Device	Capacity	SEER	EER	Coil or Air Handler	Furnace	AHRI Reference
EL16XC1-018-230A	TXV	18,000	16.00	13.00	CH33-31A	EL180UH045E36A	8809113
EL16XC1-018-230A	TXV	18,000	16.00	13.00	CH33-31A	EL180UH045XE36A	8809114
EL16XC1-018-230A	TXV	18,000	14.50	12.20	CH33-31A		8809117
EL16XC1-018-230A	TXV	18,000	16.00	13.00	CH33-31B	EL180UH070E36B	8809118
EL16XC1-018-230A	TXV	18,000	16.00	13.00	CH33-31B	EL180UH070XE36B	8809119
EL16XC1-018-230A	TXV	20,000	16.00	13.50	CH33-31B	EL195UH030XE24B	8809120
EL16XC1-018-230A	TXV	20,000	16.00	13.50	CH33-31B	EL195UH045XE24B	8809121
EL16XC1-018-230A	TXV	18,000	16.00	13.00	CH33-31B	EL195UH045XE36B	8809122
EL16XC1-018-230A	TXV	18,000	16.00	13.00	CH33-31B	EL296UH045XE36B	8809123
EL16XC1-018-230A	TXV	20,000	17.00	13.50	CH33-31B	EL296UH045XV36B	8809124
EL16XC1-018-230A	TXV	18,000	14.50	12.20	CH33-31B		8809126
EL16XC1-018-230A	TXV	18,000	16.00	13.00	CH35-18A	EL180UH045E36A	8809127
EL16XC1-018-230A	TXV	18,000	16.00	13.00	CH35-18A	EL180UH045XE36A	8809128
EL16XC1-018-230A	TXV	18,000	16.00	13.00	CH35-24A	EL180UH045E36A	8809129
EL16XC1-018-230A	TXV	18,000	16.00	13.00	CH35-24A	EL180UH045XE36A	8809130
EL16XC1-018-230A	TXV	18,000	15.50	12.50	CH35-24B	EL180UH070E36B	8809131
EL16XC1-018-230A	TXV	18,000	15.50	12.50	CH35-24B	EL180UH070XE36B	8809132
EL16XC1-018-230A	TXV	19,800	16.00	13.00	CH35-24B	EL195UH030XE24B	8809133
EL16XC1-018-230A	TXV	19,800	16.00	13.00	CH35-24B	EL195UH045XE24B	8809135
EL16XC1-018-230A	TXV	18,000	15.50	12.50	CH35-24B	EL195UH045XE36B	8809136
EL16XC1-018-230A	TXV	18,000	15.50	12.50	CH35-24B	EL296UH045XE36B	8809137
EL16XC1-018-230A	TXV	19,600	16.00	13.00	CH35-24B	EL296UH045XV36B	8809138
EL16XC1-018-230A	TXV	18,000	16.00	13.00	CH35-30A	EL180UH045E36A	8809139
EL16XC1-018-230A	TXV	18,000	16.00	13.00	CH35-30A	EL180UH045XE36A	8809140
EL16XC1-018-230A	TXV	18,000	14.50	12.20	CH35-30A		8809141
EL16XC1-018-230A	TXV	18,000	16.00	13.00	CH35-30B	EL180UH070E36B	8809142
EL16XC1-018-230A	TXV	18,000	16.00	13.00	CH35-30B	EL180UH070XE36B	8809143
EL16XC1-018-230A	TXV	20,000	16.00	13.50	CH35-30B	EL195UH030XE24B	8809145
EL16XC1-018-230A	TXV	20,000	16.00	13.50	CH35-30B	EL195UH045XE24B	8809146
EL16XC1-018-230A	TXV	18,000	16.00	13.00	CH35-30B	EL195UH045XE36B	8809147
EL16XC1-018-230A	TXV	18,000	16.00	13.00	CH35-30B	EL296UH045XE36B	8809148
EL16XC1-018-230A	TXV	19,600	17.00	13.50	CH35-30B	EL296UH045XV36B	8809149
EL16XC1-018-230A	TXV	18,000	14.50	12.20	CH35-30B		8809150
EL16XC1-018-230A	TXV	18,000	15.50	12.50	CR33-18	EL180DF045E36A	8809151
EL16XC1-018-230A	TXV	18,000	15.10	12.50	CR33-24A	EL180DF045E36A	8809152
EL16XC1-018-230A	TXV	18,000	14.50	12.50	CR33-24B	EL180DF070E36B	8809154
EL16XC1-018-230A	TXV	18,000	14.50	12.20	CR33-24B	EL195DF045XE36B	8809155
EL16XC1-018-230A	TXV	18,000	14.50	12.20	CR33-24B	EL195DF070XE36B	8809156
EL16XC1-018-230A	TXV	18,000	16.00	13.00	CR33-30/36A	EL180DF045E36A	8809157
EL16XC1-018-230A	TXV	18,000	14.50	12.20	CR33-30/36A		8809159
EL16XC1-018-230A	TXV	18,000	15.50	13.00	CR33-30/36B	EL180DF070E36B	8809160
EL16XC1-018-230A	TXV	18,000	15.50	12.50	CR33-30/36B	EL195DF045XE36B	8809161
EL16XC1-018-230A	TXV	18,000	15.50	12.50	CR33-30/36B	EL195DF070XE36B	8809162
EL16XC1-018-230A	TXV	18,000	14.50	12.20	CR33-30/36B		8809165
EL16XC1-018-230A	TXV	17,900	14.50	12.50	CX34-18/24A	EL180UH045E36A	8809166
EL16XC1-018-230A	TXV	17,900	14.50	12.50	CX34-18/24A	EL180UH045XE36A	8809167
EL16XC1-018-230A	TXV	18,000	14.50	12.20	CX34-18/24B	EL180UH070E36B	8809168
EL16XC1-018-230A	TXV	18,000	14.50	12.20	CX34-18/24B	EL180UH070XE36B	8809169
EL16XC1-018-230A	TXV	18,400	15.10	12.50	CX34-18/24B	EL195UH030XE24B	8809170

NOTES:

TXV = Matched with Thermostatic Expansion Valve.

RFC = Matched with RFC metering device.

AHRI certified to AHRI Standard 210/240 (with 25 ft. of connecting refrigerant lines); 95°F outdoor air temperature, 80°F db / 67°F wb entering evaporator air. All ratings include the use of a blower time delay relay (TDR). All Lennox variable-speed furnaces and Air Handlers have time delay capabilities. Other Furnaces and Air Handlers may require an optional time delay relay (**58M81**) for field installation. See furnace or air handler specifications to determine if relay is needed.

Also see Expansion Valve Kit Usage Table.

AHRI SYSTEM MATCHES - ALL REGIONS - 018-024-030-041-042-047-048-060

NOTE - For the latest up-to-date system matches please visit the AHRI web site at <http://www.ahridirectory.org>

Model No.	Expansion Device	Capacity	SEER	EER	Coil or Air Handler	Furnace	AHRI Reference
EL16XC1-018-230A	TXV	18,400	15.10	12.50	CX34-18/24B	EL195UH045XE24B	8809171
EL16XC1-018-230A	TXV	18,000	14.50	12.20	CX34-18/24B	EL195UH045XE36B	8809172
EL16XC1-018-230A	TXV	18,000	14.50	12.20	CX34-18/24B	EL296UH045XE36B	8809173
EL16XC1-018-230A	TXV	18,000	16.00	13.00	CX34-19	EL180UH045E36A	8809174
EL16XC1-018-230A	TXV	18,000	16.00	13.00	CX34-19	EL180UH045XE36A	8809176
EL16XC1-018-230A	TXV	18,000	16.00	13.00	CX34-25A	EL180UH045E36A	8809177
EL16XC1-018-230A	TXV	18,000	16.00	13.00	CX34-25A	EL180UH045XE36A	8809178
EL16XC1-018-230A	TXV	18,000	14.25	12.20	CX34-25A		8809179
EL16XC1-018-230A	TXV	18,000	15.50	12.50	CX34-25B	EL180UH070E36B	8809180
EL16XC1-018-230A	TXV	18,000	15.50	12.50	CX34-25B	EL180UH070XE36B	8809181
EL16XC1-018-230A	TXV	19,600	16.00	13.00	CX34-25B	EL195UH030XE24B	8809182
EL16XC1-018-230A	TXV	19,600	16.00	13.00	CX34-25B	EL195UH045XE24B	8809183
EL16XC1-018-230A	TXV	19,600	16.00	13.00	CX34-25B	EL195UH045XE36B	8809184
EL16XC1-018-230A	TXV	19,600	16.00	13.00	CX34-25B	EL296UH045XE36B	8809186
EL16XC1-018-230A	TXV	19,600	16.00	13.00	CX34-25B	EL296UH045XV36B	8809187
EL16XC1-018-230A	TXV	19,600	16.00	13.00	CX34-25B	EL296UH070XV36B	8809188
EL16XC1-018-230A	TXV	19,600	16.00	13.00	CX34-25B	SLP98UH070XV36B	8809189
EL16XC1-018-230A	TXV	18,000	14.25	12.20	CX34-25B		8809190
EL16XC1-018-230A	TXV	18,000	15.50	12.50	CX34-30A	EL180UH045E36A	8809191
EL16XC1-018-230A	TXV	18,000	15.50	12.50	CX34-30A	EL180UH045XE36A	8809192
EL16XC1-018-230A	TXV	18,000	14.50	12.50	CX34-30B	EL180UH070E36B	8809193
EL16XC1-018-230A	TXV	18,000	14.50	12.50	CX34-30B	EL180UH070XE36B	8809194
EL16XC1-018-230A	TXV	18,800	15.50	12.50	CX34-30B	EL195UH030XE24B	8809196
EL16XC1-018-230A	TXV	18,800	15.50	12.50	CX34-30B	EL195UH045XE24B	8809197
EL16XC1-018-230A	TXV	18,000	15.10	12.50	CX34-30B	EL195UH045XE36B	8809198
EL16XC1-018-230A	TXV	18,000	15.10	12.50	CX34-30B	EL296UH045XE36B	8809199
EL16XC1-018-230A	TXV	18,000	16.00	13.00	CX34-31A	EL180UH045E36A	8809200
EL16XC1-018-230A	TXV	18,000	16.00	13.00	CX34-31A	EL180UH045XE36A	8809201
EL16XC1-018-230A	TXV	18,000	14.50	12.20	CX34-31A		8809202
EL16XC1-018-230A	TXV	18,000	15.50	13.00	CX34-31B	EL180UH070E36B	8809203
EL16XC1-018-230A	TXV	18,000	15.50	13.00	CX34-31B	EL180UH070XE36B	8809204
EL16XC1-018-230A	TXV	20,000	16.00	13.50	CX34-31B	EL195UH030XE24B	8809205
EL16XC1-018-230A	TXV	20,000	16.00	13.50	CX34-31B	EL195UH045XE24B	8809207
EL16XC1-018-230A	TXV	18,000	16.00	13.00	CX34-31B	EL195UH045XE36B	8809208
EL16XC1-018-230A	TXV	18,000	16.00	13.00	CX34-31B	EL296UH045XE36B	8809209
EL16XC1-018-230A	TXV	19,600	16.00	13.50	CX34-31B	EL296UH045XV36B	8809210
EL16XC1-018-230A	TXV	19,600	17.00	13.50	CX34-31B	EL296UH070XV36B	8809211
EL16XC1-018-230A	TXV	19,600	17.00	13.50	CX34-31B	SLP98UH070XV36B	8809212
EL16XC1-018-230A	TXV	18,000	14.50	12.20	CX34-31B		8809213
EL16XC1-018-230A	TXV	18,800	15.50	12.50	CX35-18/24A	EL180UH045E36A	8810885
EL16XC1-018-230A	TXV	18,800	15.50	12.50	CX35-18/24A	EL180UH045XE36A	8810886
EL16XC1-018-230A	TXV	18,800	15.50	12.50	CX35-18/24B	EL180UH070E36B	8809214
EL16XC1-018-230A	TXV	18,800	15.50	12.50	CX35-18/24B	EL180UH070XE36B	8809216
EL16XC1-018-230A	TXV	18,800	15.50	12.50	CX35-18/24B	EL195UH045XE36B	8809217
EL16XC1-018-230A	TXV	18,800	15.50	12.50	CX35-18/24B	EL296UH045XE36B	8809218
EL16XC1-018-230A	TXV	18,000	16.00	13.00	CX35-24A	EL180UH045E36A	8809219
EL16XC1-018-230A	TXV	18,000	16.00	13.00	CX35-24A	EL180UH045XE36A	8809220
EL16XC1-018-230A	TXV	18,000	15.50	12.50	CX35-24B	EL180UH070E36B	8809221
EL16XC1-018-230A	TXV	18,000	15.50	12.50	CX35-24B	EL180UH070XE36B	8809222

NOTES:

TXV = Matched with Thermostatic Expansion Valve.

RFC = Matched with RFC metering device.

AHRI certified to AHRI Standard 210/240 (with 25 ft. of connecting refrigerant lines); 95°F outdoor air temperature, 80°F db / 67°F wb entering evaporator air.

All ratings include the use of a blower time delay relay (TDR). All Lennox variable-speed furnaces and Air Handlers have time delay capabilities. Other Furnaces and Air Handlers may require an optional time delay relay (**58M81**) for field installation. See furnace or air handler specifications to determine if relay is needed.

Also see Expansion Valve Kit Usage Table.

AHRI SYSTEM MATCHES - ALL REGIONS - 018-024-030-041-042-047-048-060

NOTE - For the latest up-to-date system matches please visit the AHRI web site at <http://www.ahridirectory.org>

Model No.	Expansion Device	Capacity	SEER	EER	Coil or Air Handler	Furnace	AHRI Reference
EL16XC1-018-230A	TXV	19,800	16.00	13.00	CX35-24B	EL195UH030XE24B	8809223
EL16XC1-018-230A	TXV	19,800	16.00	13.00	CX35-24B	EL195UH045XE24B	8809224
EL16XC1-018-230A	TXV	19,600	16.00	13.00	CX35-24B	EL195UH045XE36B	8809225
EL16XC1-018-230A	TXV	19,600	16.00	13.00	CX35-24B	EL296UH045XE36B	8809226
EL16XC1-018-230A	TXV	19,600	16.00	13.00	CX35-24B	EL296UH045XV36B	8809227
EL16XC1-018-230A	TXV	19,800	16.00	13.00	CX35-24B	EL296UH070XV36B	8809228
EL16XC1-018-230A	TXV	19,800	16.00	13.00	CX35-24B	SLP98UH070XV36B	8809229
EL16XC1-018-230A	TXV	18,000	16.00	13.00	CX35-30A	EL180UH045E36A	8809230
EL16XC1-018-230A	TXV	18,000	16.00	13.00	CX35-30A	EL180UH045XE36A	8809231
EL16XC1-018-230A	TXV	18,000	14.50	12.20	CX35-30A		8809232
EL16XC1-018-230A	TXV	18,000	15.50	13.00	CX35-30B	EL180UH070E36B	8809233
EL16XC1-018-230A	TXV	18,000	15.50	13.00	CX35-30B	EL180UH070XE36B	8809234
EL16XC1-018-230A	TXV	20,000	16.00	13.50	CX35-30B	EL195UH030XE24B	8809235
EL16XC1-018-230A	TXV	20,000	16.00	13.50	CX35-30B	EL195UH045XE24B	8809236
EL16XC1-018-230A	TXV	18,000	16.00	13.00	CX35-30B	EL195UH045XE36B	8809237
EL16XC1-018-230A	TXV	18,000	16.00	13.00	CX35-30B	EL296UH045XE36B	8809238
EL16XC1-018-230A	TXV	20,000	16.00	13.50	CX35-30B	EL296UH045XV36B	8809239
EL16XC1-018-230A	TXV	20,000	17.00	13.50	CX35-30B	EL296UH070XV36B	8809240
EL16XC1-018-230A	TXV	20,000	17.00	13.50	CX35-30B	SLP98UH070XV36B	8809241
EL16XC1-018-230A	TXV	18,000	14.50	12.20	CX35-30B		8809242
EL16XC1-024-230A	RFC	24,000	14.25	12.20	C33-31A		8809453
EL16XC1-024-230A	RFC	24,000	14.25	12.20	C33-31B		8809471
EL16XC1-024-230A	RFC	24,000	14.25	12.50	C33-38A		8809500
EL16XC1-024-230A	RFC	24,000	14.25	12.50	C33-38B		8809518
EL16XC1-024-230A	RFC	24,000	14.25	12.20	C35-30A		8809567
EL16XC1-024-230A	RFC	24,000	14.25	12.20	C35-30B		8809585
EL16XC1-024-230A	RFC	24,000	14.25	12.20	C35-36A		8809592
EL16XC1-024-230A	RFC	24,000	14.25	12.20	C35-36B		8809609
EL16XC1-024-230A	RFC	24,000	14.25	12.20	CH33-31A		8809690
EL16XC1-024-230A	RFC	24,000	14.25	12.20	CH33-31B		8809705
EL16XC1-024-230A	RFC	24,000	14.00	12.20	CH33-42B		8810881
EL16XC1-024-230A	RFC	24,000	14.25	12.20	CH33-43B		8809731
EL16XC1-024-230A	TXV	24,000	16.00	13.00	C33-19	EL180UH045E36A	8809383
EL16XC1-024-230A	TXV	24,000	16.00	13.00	C33-19	EL180UH045XE36A	8809384
EL16XC1-024-230A	TXV	24,000	16.00	13.00	C33-19	SL280UH070V36A	8809385
EL16XC1-024-230A	TXV	24,000	16.00	13.00	C33-19	SL280UH070XV36A	8809386
EL16XC1-024-230A	TXV	23,400	14.50	12.50	C33-24A	EL180UH045E36A	8809387
EL16XC1-024-230A	TXV	23,400	14.50	12.50	C33-24A	EL180UH045XE36A	8809388
EL16XC1-024-230A	TXV	23,400	15.10	12.50	C33-24A	SL280UH070V36A	8809389
EL16XC1-024-230A	TXV	23,400	15.10	12.50	C33-24A	SL280UH070XV36A	8809390
EL16XC1-024-230A	TXV	23,000	15.10	12.50	C33-24B	EL180UH070E36B	8809391
EL16XC1-024-230A	TXV	23,000	15.10	12.50	C33-24B	EL180UH070XE36B	8809392
EL16XC1-024-230A	TXV	23,200	15.10	12.50	C33-24B	EL195UH030XE24B	8809394
EL16XC1-024-230A	TXV	23,200	15.10	12.50	C33-24B	EL195UH045XE24B	8809395
EL16XC1-024-230A	TXV	23,000	14.50	12.50	C33-24B	EL195UH045XE36B	8809396
EL16XC1-024-230A	TXV	23,200	14.50	12.50	C33-24B	EL195UH070XE36B	8809397
EL16XC1-024-230A	TXV	23,000	14.50	12.50	C33-24B	EL296UH045XE36B	8809398
EL16XC1-024-230A	TXV	23,400	15.10	12.50	C33-24B	EL296UH045XV36B	8809399
EL16XC1-024-230A	TXV	23,200	14.50	12.50	C33-24B	EL296UH070XE36B	8809400

NOTES:

TXV = Matched with Thermostatic Expansion Valve.

RFC = Matched with RFC metering device.

AHRI certified to AHRI Standard 210/240 (with 25 ft. of connecting refrigerant lines); 95°F outdoor air temperature, 80°F db / 67°F wb entering evaporator air. All ratings include the use of a blower time delay relay (TDR). All Lennox variable-speed furnaces and Air Handlers have time delay capabilities. Other Furnaces and Air Handlers may require an optional time delay relay (**58M81**) for field installation. See furnace or air handler specifications to determine if relay is needed.

Also see Expansion Valve Kit Usage Table.

AHRI SYSTEM MATCHES - ALL REGIONS - 018-024-030-041-042-047-048-060

NOTE - For the latest up-to-date system matches please visit the AHRI web site at <http://www.ahridirectory.org>

Model No.	Expansion Device	Capacity	SEER	EER	Coil or Air Handler	Furnace	AHRI Reference
EL16XC1-024-230A	TXV	23,400	15.10	12.50	C33-24B	EL296UH070XV36B	8809401
EL16XC1-024-230A	TXV	23,200	15.10	12.50	C33-24B	SL280UH090V36B	8809402
EL16XC1-024-230A	TXV	23,200	14.50	12.50	C33-24B	SL280UH090V48B	8809403
EL16XC1-024-230A	TXV	23,200	14.50	12.50	C33-24B	SL280UH090XV48B	8809405
EL16XC1-024-230A	TXV	23,400	15.10	12.50	C33-24B	SLP98UH070XV36B	8809406
EL16XC1-024-230A	TXV	23,400	15.10	12.50	C33-24C	EL296UH090XV36C	8809407
EL16XC1-024-230A	TXV	23,400	15.10	12.50	C33-24C	SLP98UH090XV36C	8809408
EL16XC1-024-230A	TXV	24,000	16.00	13.00	C33-25A	EL180UH045E36A	8809409
EL16XC1-024-230A	TXV	24,000	16.00	13.00	C33-25A	EL180UH045XE36A	8809410
EL16XC1-024-230A	TXV	24,000	16.00	13.00	C33-25A	SL280UH070V36A	8809411
EL16XC1-024-230A	TXV	24,000	16.00	13.00	C33-25A	SL280UH070XV36A	8809412
EL16XC1-024-230A	TXV	24,000	14.25	12.20	C33-25A		8809413
EL16XC1-024-230A	TXV	24,000	16.00	13.00	C33-25B	EL180UH070E36B	8809414
EL16XC1-024-230A	TXV	24,000	16.00	13.00	C33-25B	EL180UH070XE36B	8809415
EL16XC1-024-230A	TXV	24,000	16.00	13.00	C33-25B	EL195UH030XE24B	8809416
EL16XC1-024-230A	TXV	24,000	16.00	13.00	C33-25B	EL195UH045XE24B	8809417
EL16XC1-024-230A	TXV	24,000	16.00	13.00	C33-25B	EL195UH045XE36B	8809418
EL16XC1-024-230A	TXV	24,000	16.00	13.00	C33-25B	EL195UH070XE36B	8809419
EL16XC1-024-230A	TXV	24,000	16.00	13.00	C33-25B	EL296UH045XE36B	8809420
EL16XC1-024-230A	TXV	24,000	16.00	13.00	C33-25B	EL296UH045XV36B	8809421
EL16XC1-024-230A	TXV	24,000	16.00	13.00	C33-25B	EL296UH070XE36B	8809422
EL16XC1-024-230A	TXV	24,000	16.00	13.00	C33-25B	EL296UH070XV36B	8809423
EL16XC1-024-230A	TXV	24,000	16.00	13.00	C33-25B	SL280UH090V36B	8809424
EL16XC1-024-230A	TXV	24,000	16.00	13.00	C33-25B	SL280UH090V48B	8809425
EL16XC1-024-230A	TXV	24,000	16.00	13.00	C33-25B	SL280UH090XV48B	8809426
EL16XC1-024-230A	TXV	24,000	16.00	13.00	C33-25B	SLP98UH070XV36B	8809427
EL16XC1-024-230A	TXV	24,000	14.25	12.20	C33-25B		8809428
EL16XC1-024-230A	TXV	23,800	15.50	12.50	C33-30A	EL180UH045E36A	8809429
EL16XC1-024-230A	TXV	23,800	15.50	12.50	C33-30A	EL180UH045XE36A	8809430
EL16XC1-024-230A	TXV	24,000	15.50	12.50	C33-30A	SL280UH070V36A	8809431
EL16XC1-024-230A	TXV	24,000	15.50	12.50	C33-30A	SL280UH070XV36A	8809432
EL16XC1-024-230A	TXV	23,800	15.50	12.50	C33-30B	EL180UH070E36B	8809433
EL16XC1-024-230A	TXV	23,800	15.50	12.50	C33-30B	EL180UH070XE36B	8809434
EL16XC1-024-230A	TXV	23,800	15.50	12.50	C33-30B	EL195UH030XE24B	8809435
EL16XC1-024-230A	TXV	23,800	15.50	12.50	C33-30B	EL195UH045XE24B	8809436
EL16XC1-024-230A	TXV	23,600	15.10	12.50	C33-30B	EL195UH045XE36B	8809437
EL16XC1-024-230A	TXV	23,800	15.50	12.50	C33-30B	EL195UH070XE36B	8809438
EL16XC1-024-230A	TXV	23,600	15.10	12.50	C33-30B	EL296UH045XE36B	8809439
EL16XC1-024-230A	TXV	23,800	15.50	12.50	C33-30B	EL296UH045XV36B	8809440
EL16XC1-024-230A	TXV	23,800	15.50	12.50	C33-30B	EL296UH070XE36B	8809441
EL16XC1-024-230A	TXV	23,800	15.50	12.50	C33-30B	EL296UH070XV36B	8809442
EL16XC1-024-230A	TXV	23,800	15.50	12.50	C33-30B	SL280UH090V36B	8809443
EL16XC1-024-230A	TXV	23,800	15.10	12.50	C33-30B	SL280UH090V48B	8809444
EL16XC1-024-230A	TXV	23,800	15.10	12.50	C33-30B	SL280UH090XV48B	8809445
EL16XC1-024-230A	TXV	23,800	15.50	12.50	C33-30B	SLP98UH070XV36B	8809446
EL16XC1-024-230A	TXV	23,800	15.50	12.50	C33-30C	EL296UH090XV36C	8809447
EL16XC1-024-230A	TXV	23,800	15.50	12.50	C33-30C	SLP98UH090XV36C	8809448
EL16XC1-024-230A	TXV	24,000	16.00	13.00	C33-31A	EL180UH045E36A	8809449
EL16XC1-024-230A	TXV	24,000	16.00	13.00	C33-31A	EL180UH045XE36A	8809450

NOTES:

TXV = Matched with Thermostatic Expansion Valve.

RFC = Matched with RFC metering device.

AHRI certified to AHRI Standard 210/240 (with 25 ft. of connecting refrigerant lines); 95°F outdoor air temperature, 80°F db / 67°F wb entering evaporator air.

All ratings include the use of a blower time delay relay (TDR). All Lennox variable-speed furnaces and Air Handlers have time delay capabilities. Other Furnaces and Air Handlers may require an optional time delay relay (**58M81**) for field installation. See furnace or air handler specifications to determine if relay is needed.

Also see Expansion Valve Kit Usage Table.

AHRI SYSTEM MATCHES - ALL REGIONS - 018-024-030-041-042-047-048-060

NOTE - For the latest up-to-date system matches please visit the AHRI web site at <http://www.ahridirectory.org>

Model No.	Expansion Device	Capacity	SEER	EER	Coil or Air Handler	Furnace	AHRI Reference
EL16XC1-024-230A	TXV	24,000	16.00	13.00	C33-31A	SL280UH070V36A	8809451
EL16XC1-024-230A	TXV	24,000	16.00	13.00	C33-31A	SL280UH070XV36A	8809452
EL16XC1-024-230A	TXV	24,000	14.50	12.20	C33-31A		8809454
EL16XC1-024-230A	TXV	24,000	16.00	13.00	C33-31B	EL180UH070E36B	8809455
EL16XC1-024-230A	TXV	24,000	16.00	13.00	C33-31B	EL180UH070XE36B	8809456
EL16XC1-024-230A	TXV	24,000	16.00	13.00	C33-31B	EL195UH030XE24B	8809458
EL16XC1-024-230A	TXV	24,000	16.00	13.00	C33-31B	EL195UH045XE24B	8809459
EL16XC1-024-230A	TXV	24,000	16.00	13.00	C33-31B	EL195UH045XE36B	8809460
EL16XC1-024-230A	TXV	24,000	16.00	13.00	C33-31B	EL195UH070XE36B	8809461
EL16XC1-024-230A	TXV	24,000	16.00	13.00	C33-31B	EL296UH045XE36B	8809462
EL16XC1-024-230A	TXV	24,000	16.00	13.00	C33-31B	EL296UH045XV36B	8809463
EL16XC1-024-230A	TXV	24,000	16.00	13.00	C33-31B	EL296UH070XE36B	8809464
EL16XC1-024-230A	TXV	24,000	16.00	13.00	C33-31B	EL296UH070XV36B	8809465
EL16XC1-024-230A	TXV	24,000	16.00	13.00	C33-31B	SL280UH090V36B	8809466
EL16XC1-024-230A	TXV	24,000	16.00	13.00	C33-31B	SL280UH090V48B	8809468
EL16XC1-024-230A	TXV	24,000	16.00	13.00	C33-31B	SL280UH090XV48B	8809469
EL16XC1-024-230A	TXV	24,000	16.00	13.00	C33-31B	SLP98UH070XV36B	8809470
EL16XC1-024-230A	TXV	24,000	14.50	12.20	C33-31B		8809472
EL16XC1-024-230A	TXV	24,000	16.00	13.00	C33-36A	EL180UH045E36A	8809473
EL16XC1-024-230A	TXV	24,000	16.00	13.00	C33-36A	EL180UH045XE36A	8809474
EL16XC1-024-230A	TXV	24,000	16.00	13.00	C33-36A	SL280UH070V36A	8809475
EL16XC1-024-230A	TXV	24,000	16.00	13.00	C33-36A	SL280UH070XV36A	8809476
EL16XC1-024-230A	TXV	24,000	16.00	13.00	C33-36B	EL180UH070E36B	8809477
EL16XC1-024-230A	TXV	24,000	16.00	13.00	C33-36B	EL180UH070XE36B	8809479
EL16XC1-024-230A	TXV	24,000	16.00	13.00	C33-36B	EL195UH030XE24B	8809480
EL16XC1-024-230A	TXV	24,000	16.00	13.00	C33-36B	EL195UH045XE24B	8809481
EL16XC1-024-230A	TXV	24,000	16.00	13.00	C33-36B	EL195UH045XE36B	8809482
EL16XC1-024-230A	TXV	24,000	16.00	13.00	C33-36B	EL195UH070XE36B	8809483
EL16XC1-024-230A	TXV	24,000	16.00	13.00	C33-36B	EL296UH045XE36B	8809484
EL16XC1-024-230A	TXV	24,000	16.00	13.00	C33-36B	EL296UH045XV36B	8809485
EL16XC1-024-230A	TXV	24,000	16.00	13.00	C33-36B	EL296UH070XE36B	8809486
EL16XC1-024-230A	TXV	24,000	16.00	13.00	C33-36B	EL296UH070XV36B	8809487
EL16XC1-024-230A	TXV	24,000	16.00	13.00	C33-36B	SL280UH090V36B	8809489
EL16XC1-024-230A	TXV	24,000	16.00	13.00	C33-36B	SL280UH090V48B	8809490
EL16XC1-024-230A	TXV	24,000	16.00	13.00	C33-36B	SL280UH090XV48B	8809491
EL16XC1-024-230A	TXV	24,000	16.00	13.00	C33-36B	SLP98UH070XV36B	8809492
EL16XC1-024-230A	TXV	24,000	16.00	13.00	C33-36C	EL296UH090XV36C	8809493
EL16XC1-024-230A	TXV	24,000	16.00	13.00	C33-36C	SLP98UH090XV36C	8809494
EL16XC1-024-230A	TXV	24,000	16.00	13.00	C33-38A	EL180UH045E36A	8809495
EL16XC1-024-230A	TXV	24,000	16.00	13.00	C33-38A	EL180UH045XE36A	8809496
EL16XC1-024-230A	TXV	24,000	16.00	13.00	C33-38A	SL280UH070V36A	8809497
EL16XC1-024-230A	TXV	24,000	16.00	13.00	C33-38A	SL280UH070XV36A	8809498
EL16XC1-024-230A	TXV	24,000	14.50	12.20	C33-38A		8809501
EL16XC1-024-230A	TXV	24,000	16.00	13.00	C33-38B	EL180UH070E36B	8809502
EL16XC1-024-230A	TXV	24,000	16.00	13.00	C33-38B	EL180UH070XE36B	8809503
EL16XC1-024-230A	TXV	24,000	16.00	13.00	C33-38B	EL195UH030XE24B	8809504
EL16XC1-024-230A	TXV	24,000	16.00	13.00	C33-38B	EL195UH045XE24B	8809506
EL16XC1-024-230A	TXV	24,000	16.00	13.00	C33-38B	EL195UH045XE36B	8809507
EL16XC1-024-230A	TXV	24,000	16.00	13.00	C33-38B	EL195UH070XE36B	8809508

NOTES:

TXV = Matched with Thermostatic Expansion Valve.

RFC = Matched with RFC metering device.

AHRI certified to AHRI Standard 210/240 (with 25 ft. of connecting refrigerant lines); 95°F outdoor air temperature, 80°F db / 67°F wb entering evaporator air.

All ratings include the use of a blower time delay relay (TDR). All Lennox variable-speed furnaces and Air Handlers have time delay capabilities. Other Furnaces and Air Handlers may require an optional time delay relay (**58M81**) for field installation. See furnace or air handler specifications to determine if relay is needed.

Also see Expansion Valve Kit Usage Table.

AHRI SYSTEM MATCHES - ALL REGIONS - 018-024-030-041-042-047-048-060

NOTE - For the latest up-to-date system matches please visit the AHRI web site at <http://www.ahridirectory.org>

Model No.	Expansion Device	Capacity	SEER	EER	Coil or Air Handler	Furnace	AHRI Reference
EL16XC1-024-230A	TXV	24,000	16.00	13.00	C33-38B	EL296UH045XE36B	8809509
EL16XC1-024-230A	TXV	24,000	16.00	13.00	C33-38B	EL296UH045XV36B	8809510
EL16XC1-024-230A	TXV	24,000	16.00	13.00	C33-38B	EL296UH070XE36B	8809511
EL16XC1-024-230A	TXV	24,000	16.00	13.00	C33-38B	EL296UH070XV36B	8809513
EL16XC1-024-230A	TXV	24,000	16.00	13.00	C33-38B	SL280UH090V36B	8809514
EL16XC1-024-230A	TXV	24,000	16.00	13.00	C33-38B	SL280UH090V48B	8809515
EL16XC1-024-230A	TXV	24,000	16.00	13.00	C33-38B	SL280UH090XV48B	8809516
EL16XC1-024-230A	TXV	24,000	16.00	13.00	C33-38B	SLP98UH070XV36B	8809517
EL16XC1-024-230A	TXV	24,000	14.50	12.20	C33-38B		8809519
EL16XC1-024-230A	TXV	24,000	16.00	13.00	C35-24A	EL180UH045E36A	8809521
EL16XC1-024-230A	TXV	24,000	16.00	13.00	C35-24A	EL180UH045XE36A	8809522
EL16XC1-024-230A	TXV	24,000	16.00	13.00	C35-24A	SL280UH070V36A	8809523
EL16XC1-024-230A	TXV	24,000	16.00	13.00	C35-24A	SL280UH070XV36A	8809524
EL16XC1-024-230A	TXV	24,000	16.00	13.00	C35-24B	EL180UH070E36B	8809525
EL16XC1-024-230A	TXV	24,000	16.00	13.00	C35-24B	EL180UH070XE36B	8809526
EL16XC1-024-230A	TXV	24,000	16.00	13.00	C35-24B	EL195UH030XE24B	8809527
EL16XC1-024-230A	TXV	24,000	16.00	13.00	C35-24B	EL195UH045XE24B	8809529
EL16XC1-024-230A	TXV	24,000	16.00	13.00	C35-24B	EL195UH045XE36B	8809530
EL16XC1-024-230A	TXV	24,000	16.00	13.00	C35-24B	EL195UH070XE36B	8809531
EL16XC1-024-230A	TXV	24,000	16.00	13.00	C35-24B	EL296UH045XE36B	8809532
EL16XC1-024-230A	TXV	24,000	16.00	13.00	C35-24B	EL296UH045XV36B	8809533
EL16XC1-024-230A	TXV	24,000	16.00	13.00	C35-24B	EL296UH070XE36B	8809534
EL16XC1-024-230A	TXV	24,000	16.00	13.00	C35-24B	EL296UH070XV36B	8809535
EL16XC1-024-230A	TXV	24,000	16.00	13.00	C35-24B	SL280UH090V36B	8809536
EL16XC1-024-230A	TXV	24,000	16.00	13.00	C35-24B	SL280UH090V48B	8809537
EL16XC1-024-230A	TXV	24,000	16.00	13.00	C35-24B	SL280UH090XV48B	8809539
EL16XC1-024-230A	TXV	24,000	16.00	13.00	C35-24B	SLP98UH070XV36B	8809540
EL16XC1-024-230A	TXV	24,000	16.00	13.00	C35-30/36A	EL180UH045E36A	8809541
EL16XC1-024-230A	TXV	24,000	16.00	13.00	C35-30/36A	EL180UH045XE36A	8809542
EL16XC1-024-230A	TXV	24,000	16.00	13.00	C35-30/36A	SL280UH070V36A	8809543
EL16XC1-024-230A	TXV	24,000	16.00	13.00	C35-30/36A	SL280UH070XV36A	8809544
EL16XC1-024-230A	TXV	24,000	16.00	13.00	C35-30/36B	EL180UH070E36B	8809545
EL16XC1-024-230A	TXV	24,000	16.00	13.00	C35-30/36B	EL180UH070XE36B	8809546
EL16XC1-024-230A	TXV	24,000	16.00	13.00	C35-30/36B	EL195UH030XE24B	8809547
EL16XC1-024-230A	TXV	24,000	16.00	13.00	C35-30/36B	EL195UH045XE24B	8809548
EL16XC1-024-230A	TXV	24,000	16.00	13.00	C35-30/36B	EL195UH045XE36B	8809550
EL16XC1-024-230A	TXV	24,000	16.00	13.00	C35-30/36B	EL195UH070XE36B	8809551
EL16XC1-024-230A	TXV	24,000	16.00	13.00	C35-30/36B	EL296UH045XE36B	8809552
EL16XC1-024-230A	TXV	24,000	16.00	13.00	C35-30/36B	EL296UH045XV36B	8809553
EL16XC1-024-230A	TXV	24,000	16.00	13.00	C35-30/36B	EL296UH070XE36B	8809554
EL16XC1-024-230A	TXV	24,000	16.00	13.00	C35-30/36B	EL296UH070XV36B	8809555
EL16XC1-024-230A	TXV	24,000	16.00	13.00	C35-30/36B	SL280UH090V36B	8809556
EL16XC1-024-230A	TXV	24,000	16.00	13.00	C35-30/36B	SL280UH090V48B	8809557
EL16XC1-024-230A	TXV	24,000	16.00	13.00	C35-30/36B	SL280UH090XV48B	8809558
EL16XC1-024-230A	TXV	24,000	16.00	13.00	C35-30/36B	SLP98UH070XV36B	8809560
EL16XC1-024-230A	TXV	24,000	16.00	13.00	C35-30/36C	EL296UH090XV36C	8809561
EL16XC1-024-230A	TXV	24,000	16.00	13.00	C35-30/36C	SLP98UH090XV36C	8809562
EL16XC1-024-230A	TXV	24,000	16.00	13.00	C35-30A	EL180UH045E36A	8809563
EL16XC1-024-230A	TXV	24,000	16.00	13.00	C35-30A	EL180UH045XE36A	8809564

NOTES:

TXV = Matched with Thermostatic Expansion Valve.

RFC = Matched with RFC metering device.

AHRI certified to AHRI Standard 210/240 (with 25 ft. of connecting refrigerant lines); 95°F outdoor air temperature, 80°F db / 67°F wb entering evaporator air.

All ratings include the use of a blower time delay relay (TDR). All Lennox variable-speed furnaces and Air Handlers have time delay capabilities. Other Furnaces and Air Handlers may require an optional time delay relay (**58M81**) for field installation. See furnace or air handler specifications to determine if relay is needed.

Also see Expansion Valve Kit Usage Table.

AHRI SYSTEM MATCHES - ALL REGIONS - 018-024-030-041-042-047-048-060

NOTE - For the latest up-to-date system matches please visit the AHRI web site at <http://www.ahridirectory.org>

Model No.	Expansion Device	Capacity	SEER	EER	Coil or Air Handler	Furnace	AHRI Reference
EL16XC1-024-230A	TXV	24,000	16.00	13.00	C35-30A	SL280UH070V36A	8809565
EL16XC1-024-230A	TXV	24,000	16.00	13.00	C35-30A	SL280UH070XV36A	8809566
EL16XC1-024-230A	TXV	24,000	14.50	12.20	C35-30A		8809568
EL16XC1-024-230A	TXV	24,000	16.00	13.00	C35-30B	EL180UH070E36B	8809569
EL16XC1-024-230A	TXV	24,000	16.00	13.00	C35-30B	EL180UH070XE36B	8809571
EL16XC1-024-230A	TXV	24,000	16.00	13.00	C35-30B	EL195UH030XE24B	8809572
EL16XC1-024-230A	TXV	24,000	16.00	13.00	C35-30B	EL195UH045XE24B	8809573
EL16XC1-024-230A	TXV	24,000	16.00	13.00	C35-30B	EL195UH045XE36B	8809574
EL16XC1-024-230A	TXV	24,000	16.00	13.00	C35-30B	EL195UH070XE36B	8809575
EL16XC1-024-230A	TXV	24,000	16.00	13.00	C35-30B	EL296UH045XE36B	8809576
EL16XC1-024-230A	TXV	24,000	16.00	13.00	C35-30B	EL296UH045XV36B	8809577
EL16XC1-024-230A	TXV	24,000	16.00	13.00	C35-30B	EL296UH070XE36B	8809578
EL16XC1-024-230A	TXV	24,000	16.00	13.00	C35-30B	EL296UH070XV36B	8809579
EL16XC1-024-230A	TXV	24,000	16.00	13.00	C35-30B	SL280UH090V36B	8809581
EL16XC1-024-230A	TXV	24,000	16.00	13.00	C35-30B	SL280UH090V48B	8809582
EL16XC1-024-230A	TXV	24,000	16.00	13.00	C35-30B	SL280UH090XV48B	8809583
EL16XC1-024-230A	TXV	24,000	16.00	13.00	C35-30B	SLP98UH070XV36B	8809584
EL16XC1-024-230A	TXV	24,000	14.50	12.20	C35-30B		8809586
EL16XC1-024-230A	TXV	24,000	16.00	13.00	C35-36A	EL180UH045E36A	8809587
EL16XC1-024-230A	TXV	24,000	16.00	13.00	C35-36A	EL180UH045XE36A	8809588
EL16XC1-024-230A	TXV	24,000	16.00	13.00	C35-36A	SL280UH070V36A	8809589
EL16XC1-024-230A	TXV	24,000	16.00	13.00	C35-36A	SL280UH070XV36A	8809591
EL16XC1-024-230A	TXV	24,000	14.50	12.20	C35-36A		8809593
EL16XC1-024-230A	TXV	24,000	16.00	13.00	C35-36B	EL180UH070E36B	8809594
EL16XC1-024-230A	TXV	24,000	16.00	13.00	C35-36B	EL180UH070XE36B	8809595
EL16XC1-024-230A	TXV	24,000	16.00	13.00	C35-36B	EL195UH030XE24B	8809596
EL16XC1-024-230A	TXV	24,000	16.00	13.00	C35-36B	EL195UH045XE24B	8809597
EL16XC1-024-230A	TXV	24,000	16.00	13.00	C35-36B	EL195UH045XE36B	8809598
EL16XC1-024-230A	TXV	24,000	16.00	13.00	C35-36B	EL195UH070XE36B	8809599
EL16XC1-024-230A	TXV	24,000	16.00	13.00	C35-36B	EL296UH045XE36B	8809600
EL16XC1-024-230A	TXV	24,000	16.00	13.00	C35-36B	EL296UH045XV36B	8809602
EL16XC1-024-230A	TXV	24,000	16.00	13.00	C35-36B	EL296UH070XE36B	8809603
EL16XC1-024-230A	TXV	24,000	16.00	13.00	C35-36B	EL296UH070XV36B	8809604
EL16XC1-024-230A	TXV	24,000	16.00	13.00	C35-36B	SL280UH090V36B	8809605
EL16XC1-024-230A	TXV	24,000	16.00	13.00	C35-36B	SL280UH090V48B	8809606
EL16XC1-024-230A	TXV	24,000	16.00	13.00	C35-36B	SL280UH090XV48B	8809607
EL16XC1-024-230A	TXV	24,000	16.00	13.00	C35-36B	SLP98UH070XV36B	8809608
EL16XC1-024-230A	TXV	24,000	14.50	12.20	C35-36B		8809610
EL16XC1-024-230A	TXV	24,000	14.50	12.20	CBX25UH-036		8809611
EL16XC1-024-230A	TXV	24,000	16.00	13.00	CBX25UHV-024		8809613
EL16XC1-024-230A	TXV	24,000	16.00	13.00	CBX25UHV-030		8809614
EL16XC1-024-230A	TXV	24,000	16.00	13.00	CBX25UHV-036		8809615
EL16XC1-024-230A	TXV	24,000	16.00	13.00	CBX27UH-024		8809616
EL16XC1-024-230A	TXV	24,000	16.00	13.00	CBX27UH-030		8809617
EL16XC1-024-230A	TXV	24,000	14.50	12.20	CBX32M-018/024		8809618
EL16XC1-024-230A	TXV	24,000	15.10	12.50	CBX32M-030		8809619
EL16XC1-024-230A	TXV	24,000	15.50	12.50	CBX32MV-018/024		8809620
EL16XC1-024-230A	TXV	24,000	16.00	13.00	CBX32MV-024/030		8809621
EL16XC1-024-230A	TXV	24,000	16.00	13.00	CBX40UHV-024		8809623

NOTES:

TXV = Matched with Thermostatic Expansion Valve.

RFC = Matched with RFC metering device.

AHRI certified to AHRI Standard 210/240 (with 25 ft. of connecting refrigerant lines); 95°F outdoor air temperature, 80°F db / 67°F wb entering evaporator air. All ratings include the use of a blower time delay relay (TDR). All Lennox variable-speed furnaces and Air Handlers have time delay capabilities. Other Furnaces and Air Handlers may require an optional time delay relay (**58M81**) for field installation. See furnace or air handler specifications to determine if relay is needed.

Also see Expansion Valve Kit Usage Table.

AHRI SYSTEM MATCHES - ALL REGIONS - 018-024-030-041-042-047-048-060

NOTE - For the latest up-to-date system matches please visit the AHRI web site at <http://www.ahridirectory.org>

Model No.	Expansion Device	Capacity	SEER	EER	Coil or Air Handler	Furnace	AHRI Reference
EL16XC1-024-230A	TXV	23,800	15.50	12.50	CH23-31	EL180UH045E36A	8809624
EL16XC1-024-230A	TXV	23,800	15.50	12.50	CH23-31	EL180UH045XE36A	8809625
EL16XC1-024-230A	TXV	23,800	15.50	13.00	CH23-31	EL180UH070E36B	8809626
EL16XC1-024-230A	TXV	23,800	15.50	13.00	CH23-31	EL180UH070XE36B	8809627
EL16XC1-024-230A	TXV	23,200	15.50	12.50	CH23-31	EL195UH030XE24B	8809628
EL16XC1-024-230A	TXV	23,200	15.50	12.50	CH23-31	EL195UH045XE24B	8809629
EL16XC1-024-230A	TXV	23,400	15.10	12.50	CH23-31	EL195UH045XE36B	8809630
EL16XC1-024-230A	TXV	23,800	15.50	12.50	CH23-31	EL195UH070XE36B	8809631
EL16XC1-024-230A	TXV	23,400	15.10	12.50	CH23-31	EL296UH045XE36B	8809632
EL16XC1-024-230A	TXV	23,600	15.50	12.50	CH23-31	EL296UH045XV36B	8809634
EL16XC1-024-230A	TXV	23,800	15.50	12.50	CH23-31	EL296UH070XE36B	8809635
EL16XC1-024-230A	TXV	23,600	15.50	12.50	CH23-31	EL296UH070XV36B	8809636
EL16XC1-024-230A	TXV	23,600	15.50	12.50	CH23-31	SL280UH070V36A	8809637
EL16XC1-024-230A	TXV	23,600	15.50	12.50	CH23-31	SL280UH070XV36A	8809638
EL16XC1-024-230A	TXV	23,400	15.50	12.50	CH23-31	SL280UH090V36B	8809639
EL16XC1-024-230A	TXV	23,600	15.50	12.50	CH23-31	SLP98UH070XV36B	8809640
EL16XC1-024-230A	TXV	24,200	16.00	13.00	CH23-41	EL180UH045E36A	8809641
EL16XC1-024-230A	TXV	24,200	16.00	13.00	CH23-41	EL180UH045XE36A	8809642
EL16XC1-024-230A	TXV	24,000	16.00	13.00	CH23-41	EL180UH070E36B	8809643
EL16XC1-024-230A	TXV	24,000	16.00	13.00	CH23-41	EL180UH070XE36B	8809645
EL16XC1-024-230A	TXV	24,000	16.00	13.00	CH23-41	EL195UH030XE24B	8809646
EL16XC1-024-230A	TXV	24,000	16.00	13.00	CH23-41	EL195UH045XE24B	8809647
EL16XC1-024-230A	TXV	24,000	16.00	13.00	CH23-41	EL195UH045XE36B	8809648
EL16XC1-024-230A	TXV	24,000	16.00	13.00	CH23-41	EL195UH070XE36B	8809649
EL16XC1-024-230A	TXV	24,000	16.00	13.00	CH23-41	EL296UH045XE36B	8809650
EL16XC1-024-230A	TXV	24,000	16.00	13.00	CH23-41	EL296UH045XV36B	8809651
EL16XC1-024-230A	TXV	24,000	16.00	13.00	CH23-41	EL296UH070XE36B	8809652
EL16XC1-024-230A	TXV	24,000	16.00	13.00	CH23-41	EL296UH070XV36B	8809653
EL16XC1-024-230A	TXV	24,000	16.00	13.00	CH23-41	SL280UH070V36A	8809655
EL16XC1-024-230A	TXV	24,000	16.00	13.00	CH23-41	SL280UH070XV36A	8809656
EL16XC1-024-230A	TXV	24,000	16.00	13.00	CH23-41	SL280UH090V36B	8809657
EL16XC1-024-230A	TXV	24,000	16.00	13.00	CH23-41	SLP98UH070XV36B	8809658
EL16XC1-024-230A	TXV	24,000	15.50	12.50	CH33-19	EL180UH045E36A	8809659
EL16XC1-024-230A	TXV	24,000	15.50	12.50	CH33-19	EL180UH045XE36A	8809660
EL16XC1-024-230A	TXV	24,000	15.50	12.50	CH33-19	SL280UH070V36A	8809661
EL16XC1-024-230A	TXV	24,000	15.50	12.50	CH33-19	SL280UH070XV36A	8809662
EL16XC1-024-230A	TXV	24,000	15.50	12.50	CH33-24/30	EL180UH045E36A	8809663
EL16XC1-024-230A	TXV	24,000	15.50	12.50	CH33-24/30	EL180UH045XE36A	8809664
EL16XC1-024-230A	TXV	24,000	15.50	12.50	CH33-24/30	SL280UH070V36A	8809666
EL16XC1-024-230A	TXV	24,000	15.50	12.50	CH33-24/30	SL280UH070XV36A	8809667
EL16XC1-024-230A	TXV	24,000	16.00	13.00	CH33-25A	EL180UH045E36A	8809668
EL16XC1-024-230A	TXV	24,000	16.00	13.00	CH33-25A	EL180UH045XE36A	8809669
EL16XC1-024-230A	TXV	24,000	16.00	13.00	CH33-25A	SL280UH070V36A	8809670
EL16XC1-024-230A	TXV	24,000	16.00	13.00	CH33-25A	SL280UH070XV36A	8809671
EL16XC1-024-230A	TXV	24,000	16.00	13.00	CH33-25B	EL180UH070E36B	8809672
EL16XC1-024-230A	TXV	24,000	16.00	13.00	CH33-25B	EL180UH070XE36B	8809673
EL16XC1-024-230A	TXV	24,000	16.00	13.00	CH33-25B	EL195UH030XE24B	8809674
EL16XC1-024-230A	TXV	24,000	16.00	13.00	CH33-25B	EL195UH045XE24B	8809676
EL16XC1-024-230A	TXV	24,000	16.00	13.00	CH33-25B	EL195UH045XE36B	8809677

NOTES:

TXV = Matched with Thermostatic Expansion Valve.

RFC = Matched with RFC metering device.

AHRI certified to AHRI Standard 210/240 (with 25 ft. of connecting refrigerant lines); 95°F outdoor air temperature, 80°F db / 67°F wb entering evaporator air.

All ratings include the use of a blower time delay relay (TDR). All Lennox variable-speed furnaces and Air Handlers have time delay capabilities. Other Furnaces and Air Handlers may require an optional time delay relay (**58M81**) for field installation. See furnace or air handler specifications to determine if relay is needed.

Also see Expansion Valve Kit Usage Table.

AHRI SYSTEM MATCHES - ALL REGIONS - 018-024-030-041-042-047-048-060

NOTE - For the latest up-to-date system matches please visit the AHRI web site at <http://www.ahridirectory.org>

Model No.	Expansion Device	Capacity	SEER	EER	Coil or Air Handler	Furnace	AHRI Reference
EL16XC1-024-230A	TXV	24,000	16.00	13.00	CH33-25B	EL195UH070XE36B	8809678
EL16XC1-024-230A	TXV	24,000	16.00	13.00	CH33-25B	EL296UH045XE36B	8809679
EL16XC1-024-230A	TXV	24,000	16.00	13.00	CH33-25B	EL296UH045XV36B	8809680
EL16XC1-024-230A	TXV	24,000	16.00	13.00	CH33-25B	EL296UH070XE36B	8809681
EL16XC1-024-230A	TXV	24,000	16.00	13.00	CH33-25B	EL296UH070XV36B	8809682
EL16XC1-024-230A	TXV	24,000	16.00	13.00	CH33-25B	SL280UH090V36B	8809683
EL16XC1-024-230A	TXV	24,000	16.00	13.00	CH33-25B	SLP98UH070XV36B	8809684
EL16XC1-024-230A	TXV	24,000	16.00	13.00	CH33-31A	EL180UH045E36A	8809685
EL16XC1-024-230A	TXV	24,000	16.00	13.00	CH33-31A	EL180UH045XE36A	8809687
EL16XC1-024-230A	TXV	24,000	16.00	13.00	CH33-31A	SL280UH070V36A	8809688
EL16XC1-024-230A	TXV	24,000	16.00	13.00	CH33-31A	SL280UH070XV36A	8809689
EL16XC1-024-230A	TXV	24,000	14.50	12.20	CH33-31A		8809691
EL16XC1-024-230A	TXV	24,000	16.00	13.00	CH33-31B	EL180UH070E36B	8809692
EL16XC1-024-230A	TXV	24,000	16.00	13.00	CH33-31B	EL180UH070XE36B	8809693
EL16XC1-024-230A	TXV	24,000	16.00	13.00	CH33-31B	EL195UH030XE24B	8809694
EL16XC1-024-230A	TXV	24,000	16.00	13.00	CH33-31B	EL195UH045XE24B	8809695
EL16XC1-024-230A	TXV	24,000	16.00	13.00	CH33-31B	EL195UH045XE36B	8809697
EL16XC1-024-230A	TXV	24,000	16.00	13.00	CH33-31B	EL195UH070XE36B	8809698
EL16XC1-024-230A	TXV	24,000	16.00	13.00	CH33-31B	EL296UH045XE36B	8809699
EL16XC1-024-230A	TXV	24,000	16.00	13.00	CH33-31B	EL296UH045XV36B	8809700
EL16XC1-024-230A	TXV	24,000	16.00	13.00	CH33-31B	EL296UH070XE36B	8809701
EL16XC1-024-230A	TXV	24,000	16.00	13.00	CH33-31B	EL296UH070XV36B	8809702
EL16XC1-024-230A	TXV	24,000	16.00	13.00	CH33-31B	SL280UH090V36B	8809703
EL16XC1-024-230A	TXV	24,000	16.00	13.00	CH33-31B	SLP98UH070XV36B	8809704
EL16XC1-024-230A	TXV	24,000	14.50	12.20	CH33-31B		8809706
EL16XC1-024-230A	TXV	24,000	16.00	13.00	CH33-36A	EL180UH045E36A	8809708
EL16XC1-024-230A	TXV	24,000	16.00	13.00	CH33-36A	EL180UH045XE36A	8809709
EL16XC1-024-230A	TXV	24,000	16.00	13.00	CH33-36A	SL280UH070V36A	8809710
EL16XC1-024-230A	TXV	24,000	16.00	13.00	CH33-36A	SL280UH070XV36A	8809711
EL16XC1-024-230A	TXV	24,000	16.00	13.00	CH33-36B	EL180UH070E36B	8809712
EL16XC1-024-230A	TXV	24,000	16.00	13.00	CH33-36B	EL180UH070XE36B	8809713
EL16XC1-024-230A	TXV	24,000	16.00	13.00	CH33-36B	EL195UH030XE24B	8809714
EL16XC1-024-230A	TXV	24,000	16.00	13.00	CH33-36B	EL195UH045XE24B	8809715
EL16XC1-024-230A	TXV	24,000	16.00	13.00	CH33-36B	EL195UH045XE36B	8809716
EL16XC1-024-230A	TXV	24,000	16.00	13.00	CH33-36B	EL195UH070XE36B	8809717
EL16XC1-024-230A	TXV	24,000	16.00	13.00	CH33-36B	EL296UH045XE36B	8809719
EL16XC1-024-230A	TXV	24,000	16.00	13.00	CH33-36B	EL296UH045XV36B	8809720
EL16XC1-024-230A	TXV	24,000	16.00	13.00	CH33-36B	EL296UH070XE36B	8809721
EL16XC1-024-230A	TXV	24,000	16.00	13.00	CH33-36B	EL296UH070XV36B	8809722
EL16XC1-024-230A	TXV	24,000	16.00	13.00	CH33-36B	SL280UH090V36B	8809723
EL16XC1-024-230A	TXV	24,000	16.00	13.00	CH33-36B	SLP98UH070XV36B	8809724
EL16XC1-024-230A	TXV	24,000	16.00	13.00	CH33-36C	EL296UH090XV36C	8809725
EL16XC1-024-230A	TXV	24,000	16.00	13.00	CH33-36C	SLP98UH090XV36C	8809726
EL16XC1-024-230A	TXV	24,000	16.00	13.00	CH33-42	EL195UH030XE24B	8809727
EL16XC1-024-230A	TXV	24,000	16.00	13.00	CH33-42	EL195UH045XE24B	8809729
EL16XC1-024-230A	TXV	24,000	16.00	13.50	CH33-43B	EL195UH030XE24B	8810882
EL16XC1-024-230A	TXV	24,000	16.00	13.50	CH33-43B	EL195UH045XE24B	8810883
EL16XC1-024-230A	TXV	24,000	16.00	13.00	CH33-43B	EL195UH045XE36B	8809730
EL16XC1-024-230A	TXV	24,000	15.50	12.50	CH35-18A	EL180UH045E36A	8809732

NOTES:

TXV = Matched with Thermostatic Expansion Valve.

RFC = Matched with RFC metering device.

AHRI certified to AHRI Standard 210/240 (with 25 ft. of connecting refrigerant lines); 95°F outdoor air temperature, 80°F db / 67°F wb entering evaporator air. All ratings include the use of a blower time delay relay (TDR). All Lennox variable-speed furnaces and Air Handlers have time delay capabilities. Other Furnaces and Air Handlers may require an optional time delay relay (**58M81**) for field installation. See furnace or air handler specifications to determine if relay is needed.

Also see Expansion Valve Kit Usage Table.

AHRI SYSTEM MATCHES - ALL REGIONS - 018-024-030-041-042-047-048-060

NOTE - For the latest up-to-date system matches please visit the AHRI web site at <http://www.ahridirectory.org>

Model No.	Expansion Device	Capacity	SEER	EER	Coil or Air Handler	Furnace	AHRI Reference
EL16XC1-024-230A	TXV	24,000	15.50	12.50	CH35-18A	EL180UH045XE36A	8809733
EL16XC1-024-230A	TXV	24,000	16.00	13.00	CH35-18A	SL280UH070V36A	8809734
EL16XC1-024-230A	TXV	24,000	16.00	13.00	CH35-18A	SL280UH070XV36A	8809735
EL16XC1-024-230A	TXV	24,000	16.00	13.00	CH35-24A	EL180UH045E36A	8809737
EL16XC1-024-230A	TXV	24,000	16.00	13.00	CH35-24A	EL180UH045XE36A	8809738
EL16XC1-024-230A	TXV	24,000	16.00	13.00	CH35-24A	SL280UH070V36A	8809739
EL16XC1-024-230A	TXV	24,000	16.00	13.00	CH35-24A	SL280UH070XV36A	8809740
EL16XC1-024-230A	TXV	24,000	16.00	13.00	CH35-24B	EL180UH070E36B	8809741
EL16XC1-024-230A	TXV	24,000	16.00	13.00	CH35-24B	EL180UH070XE36B	8809742
EL16XC1-024-230A	TXV	24,000	16.00	13.00	CH35-24B	EL195UH030XE24B	8809743
EL16XC1-024-230A	TXV	24,000	16.00	13.00	CH35-24B	EL195UH045XE24B	8809744
EL16XC1-024-230A	TXV	24,000	16.00	13.00	CH35-24B	EL195UH045XE36B	8809745
EL16XC1-024-230A	TXV	24,000	16.00	13.00	CH35-24B	EL195UH070XE36B	8809746
EL16XC1-024-230A	TXV	24,000	16.00	13.00	CH35-24B	EL296UH045XV36B	8809748
EL16XC1-024-230A	TXV	24,000	16.00	13.00	CH35-24B	EL296UH070XV36B	8809749
EL16XC1-024-230A	TXV	24,000	16.00	13.00	CH35-24B	SL280UH090V36B	8809750
EL16XC1-024-230A	TXV	24,000	16.00	13.00	CH35-24B	SLP98UH070XV36B	8809751
EL16XC1-024-230A	TXV	24,000	14.50	12.20	CH35-24B		8809752
EL16XC1-024-230A	TXV	24,000	16.00	13.00	CH35-30A	EL180UH045E36A	8809753
EL16XC1-024-230A	TXV	24,000	16.00	13.00	CH35-30A	EL180UH045XE36A	8809754
EL16XC1-024-230A	TXV	24,000	16.00	13.00	CH35-30A	SL280UH070V36A	8809755
EL16XC1-024-230A	TXV	24,000	16.00	13.00	CH35-30A	SL280UH070XV36A	8809756
EL16XC1-024-230A	TXV	24,000	14.50	12.20	CH35-30A		8809758
EL16XC1-024-230A	TXV	24,000	16.00	13.00	CH35-30B	EL180UH070E36B	8809759
EL16XC1-024-230A	TXV	24,000	16.00	13.00	CH35-30B	EL180UH070XE36B	8809760
EL16XC1-024-230A	TXV	24,000	16.00	13.00	CH35-30B	EL195UH030XE24B	8809761
EL16XC1-024-230A	TXV	24,000	16.00	13.00	CH35-30B	EL195UH045XE24B	8809762
EL16XC1-024-230A	TXV	24,000	16.00	13.00	CH35-30B	EL195UH045XE36B	8809763
EL16XC1-024-230A	TXV	24,000	16.00	13.00	CH35-30B	EL195UH070XE36B	8809764
EL16XC1-024-230A	TXV	24,000	16.00	13.00	CH35-30B	EL296UH045XV36B	8809765
EL16XC1-024-230A	TXV	24,000	16.00	13.00	CH35-30B	EL296UH070XV36B	8809766
EL16XC1-024-230A	TXV	24,000	16.00	13.00	CH35-30B	SL280UH090V36B	8809768
EL16XC1-024-230A	TXV	24,000	16.00	13.00	CH35-30B	SLP98UH070XV36B	8809769
EL16XC1-024-230A	TXV	24,000	14.50	12.20	CH35-30B		8809770
EL16XC1-024-230A	TXV	24,000	16.00	13.00	CH35-36A	EL180UH045E36A	8809771
EL16XC1-024-230A	TXV	24,000	16.00	13.00	CH35-36A	EL180UH045XE36A	8809772
EL16XC1-024-230A	TXV	24,000	16.00	13.00	CH35-36A	SL280UH070V36A	8809773
EL16XC1-024-230A	TXV	24,000	16.00	13.00	CH35-36A	SL280UH070XV36A	8809774
EL16XC1-024-230A	TXV	24,000	16.00	13.00	CH35-36B	EL180UH070E36B	8809775
EL16XC1-024-230A	TXV	24,000	16.00	13.00	CH35-36B	EL180UH070XE36B	8809776
EL16XC1-024-230A	TXV	24,000	16.00	13.00	CH35-36B	EL195UH030XE24B	8809777
EL16XC1-024-230A	TXV	24,000	16.00	13.00	CH35-36B	EL195UH045XE24B	8809779
EL16XC1-024-230A	TXV	24,000	16.00	13.00	CH35-36B	EL195UH045XE36B	8809780
EL16XC1-024-230A	TXV	24,000	16.00	13.00	CH35-36B	EL195UH070XE36B	8809781
EL16XC1-024-230A	TXV	24,000	16.00	13.00	CH35-36B	EL296UH045XV36B	8809782
EL16XC1-024-230A	TXV	24,000	16.00	13.00	CH35-36B	EL296UH070XV36B	8809783
EL16XC1-024-230A	TXV	24,000	16.00	13.00	CH35-36B	SL280UH090V36B	8809784
EL16XC1-024-230A	TXV	24,000	16.00	13.00	CH35-36B	SLP98UH070XV36B	8809785
EL16XC1-024-230A	TXV	24,000	16.00	13.00	CH35-36C	EL296UH090XV36C	8809786

NOTES:

TXV = Matched with Thermostatic Expansion Valve.

RFC = Matched with RFC metering device.

AHRI certified to AHRI Standard 210/240 (with 25 ft. of connecting refrigerant lines); 95°F outdoor air temperature, 80°F db / 67°F wb entering evaporator air.

All ratings include the use of a blower time delay relay (TDR). All Lennox variable-speed furnaces and Air Handlers have time delay capabilities. Other Furnaces and Air Handlers may require an optional time delay relay (**58M81**) for field installation. See furnace or air handler specifications to determine if relay is needed.

Also see Expansion Valve Kit Usage Table.

AHRI SYSTEM MATCHES - ALL REGIONS - 018-024-030-041-042-047-048-060

NOTE - For the latest up-to-date system matches please visit the AHRI web site at <http://www.ahridirectory.org>

Model No.	Expansion Device	Capacity	SEER	EER	Coil or Air Handler	Furnace	AHRI Reference
EL16XC1-024-230A	TXV	24,000	16.00	13.00	CH35-36C	SLP98UH090XV36C	8809787
EL16XC1-024-230A	TXV	23,200	15.10	12.50	CR33-24A	EL180DF045E36A	8809789
EL16XC1-024-230A	TXV	23,400	15.10	12.50	CR33-24A	SL280DF070V36A	8809790
EL16XC1-024-230A	TXV	23,400	15.10	12.50	CR33-24B	EL180DF070E36B	8809791
EL16XC1-024-230A	TXV	23,200	15.10	12.50	CR33-24B	EL195DF045XE36B	8809792
EL16XC1-024-230A	TXV	23,200	15.10	12.50	CR33-24B	EL195DF070XE48B	8809793
EL16XC1-024-230A	TXV	23,200	15.10	12.50	CR33-24B	EL296DF045XE36B	8809794
EL16XC1-024-230A	TXV	23,600	15.10	12.50	CR33-24B	EL296DF045XV36B	8809795
EL16XC1-024-230A	TXV	23,200	15.10	12.50	CR33-24B	EL296DF070XE48B	8809797
EL16XC1-024-230A	TXV	23,800	14.50	12.50	CR33-24B	EL296DF070XV48B	8809798
EL16XC1-024-230A	TXV	23,200	15.10	12.50	CR33-24B	SLP98DF070XV36B	8809799
EL16XC1-024-230A	TXV	24,000	16.00	13.00	CR33-30/36A	EL180DF045E36A	8809800
EL16XC1-024-230A	TXV	24,000	16.00	13.00	CR33-30/36A	SL280DF070V36A	8809801
EL16XC1-024-230A	TXV	24,000	14.50	12.20	CR33-30/36A		8809802
EL16XC1-024-230A	TXV	24,000	16.00	13.00	CR33-30/36B	EL180DF070E36B	8809804
EL16XC1-024-230A	TXV	24,000	16.00	13.00	CR33-30/36B	EL195DF045XE36B	8809805
EL16XC1-024-230A	TXV	24,000	16.00	13.00	CR33-30/36B	EL195DF070XE48B	8809806
EL16XC1-024-230A	TXV	24,000	16.00	13.00	CR33-30/36B	EL296DF045XE36B	8809807
EL16XC1-024-230A	TXV	24,000	16.00	13.00	CR33-30/36B	EL296DF045XV36B	8809808
EL16XC1-024-230A	TXV	24,000	16.00	13.00	CR33-30/36B	EL296DF070XE48B	8809809
EL16XC1-024-230A	TXV	24,000	16.00	13.00	CR33-30/36B	EL296DF070XV48B	8809810
EL16XC1-024-230A	TXV	24,000	16.00	13.00	CR33-30/36B	SL280DF090V48B	8809812
EL16XC1-024-230A	TXV	24,000	16.00	13.00	CR33-30/36B	SLP98DF070XV36B	8809813
EL16XC1-024-230A	TXV	24,000	14.50	12.20	CR33-30/36B		8809814
EL16XC1-024-230A	TXV	24,000	16.00	13.00	CR33-30/36C	SLP98DF090XV36C	8809815
EL16XC1-024-230A	TXV	24,000	14.50	12.20	CR33-30/36C		8809816
EL16XC1-024-230A	TXV	23,400	14.50	12.50	CX34-18/24A	EL180UH045E36A	8809817
EL16XC1-024-230A	TXV	23,400	14.50	12.50	CX34-18/24A	EL180UH045XE36A	8809819
EL16XC1-024-230A	TXV	24,000	16.00	13.00	CX34-19	EL180UH045E36A	8809820
EL16XC1-024-230A	TXV	24,000	16.00	13.00	CX34-19	EL180UH045XE36A	8809821
EL16XC1-024-230A	TXV	24,000	16.00	13.00	CX34-19	SL280UH070V36A	8809822
EL16XC1-024-230A	TXV	24,000	16.00	13.00	CX34-19	SL280UH070XV36A	8809823
EL16XC1-024-230A	TXV	24,000	16.00	13.00	CX34-25A	EL180UH045E36A	8809824
EL16XC1-024-230A	TXV	24,000	16.00	13.00	CX34-25A	EL180UH045XE36A	8809825
EL16XC1-024-230A	TXV	24,000	16.00	13.00	CX34-25A	SL280UH070V36A	8809826
EL16XC1-024-230A	TXV	24,000	16.00	13.00	CX34-25A	SL280UH070XV36A	8809827
EL16XC1-024-230A	TXV	24,000	14.25	12.20	CX34-25A		8809828
EL16XC1-024-230A	TXV	24,000	16.00	13.00	CX34-25B	EL180UH070E36B	8809829
EL16XC1-024-230A	TXV	24,000	16.00	13.00	CX34-25B	EL180UH070XE36B	8809830
EL16XC1-024-230A	TXV	24,000	16.00	13.00	CX34-25B	EL195UH030XE24B	8809831
EL16XC1-024-230A	TXV	24,000	16.00	13.00	CX34-25B	EL195UH045XE24B	8809833
EL16XC1-024-230A	TXV	24,000	16.00	13.00	CX34-25B	EL195UH045XE36B	8809834
EL16XC1-024-230A	TXV	24,000	16.00	13.00	CX34-25B	EL195UH070XE36B	8809835
EL16XC1-024-230A	TXV	24,000	16.00	13.00	CX34-25B	EL296UH045XE36B	8809836
EL16XC1-024-230A	TXV	24,000	16.00	13.00	CX34-25B	EL296UH045XV36B	8809837
EL16XC1-024-230A	TXV	24,000	16.00	13.00	CX34-25B	EL296UH070XE36B	8809838
EL16XC1-024-230A	TXV	24,000	16.00	13.00	CX34-25B	EL296UH070XV36B	8809840
EL16XC1-024-230A	TXV	24,000	16.00	13.00	CX34-25B	SL280UH090V36B	8809841
EL16XC1-024-230A	TXV	24,000	16.00	13.00	CX34-25B	SL280UH090V48B	8809842

NOTES:

TXV = Matched with Thermostatic Expansion Valve.

RFC = Matched with RFC metering device.

AHRI certified to AHRI Standard 210/240 (with 25 ft. of connecting refrigerant lines); 95°F outdoor air temperature, 80°F db / 67°F wb entering evaporator air. All ratings include the use of a blower time delay relay (TDR). All Lennox variable-speed furnaces and Air Handlers have time delay capabilities. Other Furnaces and Air Handlers may require an optional time delay relay (**58M81**) for field installation. See furnace or air handler specifications to determine if relay is needed.

Also see Expansion Valve Kit Usage Table.

AHRI SYSTEM MATCHES - ALL REGIONS - 018-024-030-041-042-047-048-060

NOTE - For the latest up-to-date system matches please visit the AHRI web site at <http://www.ahridirectory.org>

Model No.	Expansion Device	Capacity	SEER	EER	Coil or Air Handler	Furnace	AHRI Reference
EL16XC1-024-230A	TXV	24,000	16.00	13.00	CX34-25B	SL280UH090XV48B	8809843
EL16XC1-024-230A	TXV	24,000	16.00	13.00	CX34-25B	SLP98UH070XV36B	8809844
EL16XC1-024-230A	TXV	24,000	14.25	12.20	CX34-25B		8809845
EL16XC1-024-230A	TXV	23,800	15.50	12.50	CX34-30A	EL180UH045E36A	8809847
EL16XC1-024-230A	TXV	23,800	15.50	12.50	CX34-30A	EL180UH045XE36A	8809848
EL16XC1-024-230A	TXV	24,000	15.50	12.50	CX34-30A	SL280UH070V36A	8809849
EL16XC1-024-230A	TXV	24,000	15.50	12.50	CX34-30A	SL280UH070XV36A	8809850
EL16XC1-024-230A	TXV	23,800	15.50	12.50	CX34-30B	EL180UH070E36B	8809851
EL16XC1-024-230A	TXV	23,800	15.50	12.50	CX34-30B	EL180UH070XE36B	8809852
EL16XC1-024-230A	TXV	23,800	15.50	12.50	CX34-30B	EL195UH030XE24B	8809853
EL16XC1-024-230A	TXV	23,800	15.50	12.50	CX34-30B	EL195UH045XE24B	8809855
EL16XC1-024-230A	TXV	23,600	15.10	12.50	CX34-30B	EL195UH045XE36B	8809856
EL16XC1-024-230A	TXV	23,800	15.50	12.50	CX34-30B	EL195UH070XE36B	8809857
EL16XC1-024-230A	TXV	23,600	15.10	12.50	CX34-30B	EL296UH045XE36B	8809858
EL16XC1-024-230A	TXV	23,800	15.50	12.50	CX34-30B	EL296UH045XV36B	8809859
EL16XC1-024-230A	TXV	23,800	15.50	12.50	CX34-30B	EL296UH070XE36B	8809860
EL16XC1-024-230A	TXV	23,800	15.50	12.50	CX34-30B	EL296UH070XV36B	8809862
EL16XC1-024-230A	TXV	23,800	15.50	12.50	CX34-30B	SL280UH090V36B	8809863
EL16XC1-024-230A	TXV	23,800	15.10	12.50	CX34-30B	SL280UH090V48B	8809864
EL16XC1-024-230A	TXV	23,800	15.10	12.50	CX34-30B	SL280UH090XV48B	8809865
EL16XC1-024-230A	TXV	23,800	15.50	12.50	CX34-30B	SLP98UH070XV36B	8809866
EL16XC1-024-230A	TXV	23,800	15.50	12.50	CX34-30C	EL296UH090XV36C	8809867
EL16XC1-024-230A	TXV	23,800	15.50	12.50	CX34-30C	SLP98UH090XV36C	8809868
EL16XC1-024-230A	TXV	24,000	16.00	13.00	CX34-31A	EL180UH045E36A	8809870
EL16XC1-024-230A	TXV	24,000	16.00	13.00	CX34-31A	EL180UH045XE36A	8809871
EL16XC1-024-230A	TXV	24,000	16.00	13.00	CX34-31A	SL280UH070V36A	8809872
EL16XC1-024-230A	TXV	24,000	16.00	13.00	CX34-31A	SL280UH070XV36A	8809873
EL16XC1-024-230A	TXV	24,000	14.50	12.20	CX34-31A		8809874
EL16XC1-024-230A	TXV	24,000	16.00	13.00	CX34-31B	EL180UH070E36B	8809875
EL16XC1-024-230A	TXV	24,000	16.00	13.00	CX34-31B	EL180UH070XE36B	8809877
EL16XC1-024-230A	TXV	24,000	16.00	13.00	CX34-31B	EL195UH030XE24B	8809878
EL16XC1-024-230A	TXV	24,000	16.00	13.00	CX34-31B	EL195UH045XE24B	8809879
EL16XC1-024-230A	TXV	24,000	16.00	13.00	CX34-31B	EL195UH045XE36B	8809880
EL16XC1-024-230A	TXV	24,000	16.00	13.00	CX34-31B	EL195UH070XE36B	8809881
EL16XC1-024-230A	TXV	24,000	16.00	13.00	CX34-31B	EL296UH045XE36B	8809882
EL16XC1-024-230A	TXV	24,000	16.00	13.00	CX34-31B	EL296UH045XV36B	8809884
EL16XC1-024-230A	TXV	24,000	16.00	13.00	CX34-31B	EL296UH070XE36B	8809885
EL16XC1-024-230A	TXV	24,000	16.00	13.00	CX34-31B	EL296UH070XV36B	8809886
EL16XC1-024-230A	TXV	24,000	16.00	13.00	CX34-31B	SL280UH090V36B	8809887
EL16XC1-024-230A	TXV	24,000	16.00	13.00	CX34-31B	SL280UH090V48B	8809888
EL16XC1-024-230A	TXV	24,000	16.00	13.00	CX34-31B	SL280UH090XV48B	8809889
EL16XC1-024-230A	TXV	24,000	16.00	13.00	CX34-31B	SLP98UH070XV36B	8809890
EL16XC1-024-230A	TXV	24,000	14.50	12.20	CX34-31B		8809891
EL16XC1-024-230A	TXV	24,000	16.00	13.00	CX34-36A	EL180UH045E36A	8809892
EL16XC1-024-230A	TXV	24,000	16.00	13.00	CX34-36A	EL180UH045XE36A	8809893
EL16XC1-024-230A	TXV	24,000	16.00	13.00	CX34-36A	SL280UH070V36A	8809894
EL16XC1-024-230A	TXV	24,000	16.00	13.00	CX34-36A	SL280UH070XV36A	8809895
EL16XC1-024-230A	TXV	24,000	16.00	13.00	CX34-36B	EL180UH070E36B	8809896
EL16XC1-024-230A	TXV	24,000	16.00	13.00	CX34-36B	EL180UH070XE36B	8809897

NOTES:

TXV = Matched with Thermostatic Expansion Valve.

RFC = Matched with RFC metering device.

AHRI certified to AHRI Standard 210/240 (with 25 ft. of connecting refrigerant lines); 95°F outdoor air temperature, 80°F db / 67°F wb entering evaporator air.

All ratings include the use of a blower time delay relay (TDR). All Lennox variable-speed furnaces and Air Handlers have time delay capabilities. Other Furnaces and Air Handlers may require an optional time delay relay (**58M81**) for field installation. See furnace or air handler specifications to determine if relay is needed.

Also see Expansion Valve Kit Usage Table.

AHRI SYSTEM MATCHES - ALL REGIONS - 018-024-030-041-042-047-048-060

NOTE - For the latest up-to-date system matches please visit the AHRI web site at <http://www.ahridirectory.org>

Model No.	Expansion Device	Capacity	SEER	EER	Coil or Air Handler	Furnace	AHRI Reference
EL16XC1-024-230A	TXV	24,000	16.00	13.00	CX34-36B	EL195UH030XE24B	8809898
EL16XC1-024-230A	TXV	24,000	16.00	13.00	CX34-36B	EL195UH045XE24B	8809899
EL16XC1-024-230A	TXV	24,000	16.00	13.00	CX34-36B	EL195UH045XE36B	8809900
EL16XC1-024-230A	TXV	24,000	16.00	13.00	CX34-36B	EL195UH070XE36B	8809901
EL16XC1-024-230A	TXV	24,000	16.00	13.00	CX34-36B	EL296UH045XE36B	8809902
EL16XC1-024-230A	TXV	24,000	16.00	13.00	CX34-36B	EL296UH045XV36B	8809903
EL16XC1-024-230A	TXV	24,000	16.00	13.00	CX34-36B	EL296UH070XE36B	8809904
EL16XC1-024-230A	TXV	24,000	16.00	13.00	CX34-36B	EL296UH070XV36B	8809905
EL16XC1-024-230A	TXV	24,000	16.00	13.00	CX34-36B	SL280UH090V36B	8809906
EL16XC1-024-230A	TXV	24,000	16.00	13.00	CX34-36B	SL280UH090V48B	8809907
EL16XC1-024-230A	TXV	24,000	16.00	13.00	CX34-36B	SL280UH090XV48B	8809908
EL16XC1-024-230A	TXV	24,000	16.00	13.00	CX34-36B	SLP98UH070XV36B	8809909
EL16XC1-024-230A	TXV	24,000	16.00	13.00	CX34-36C	EL296UH090XV36C	8809910
EL16XC1-024-230A	TXV	24,000	16.00	13.00	CX34-36C	SLP98UH090XV36C	8809911
EL16XC1-024-230A	TXV	24,000	16.00	13.00	CX34-38A	EL180UH045E36A	8809912
EL16XC1-024-230A	TXV	24,000	16.00	13.00	CX34-38A	EL180UH045XE36A	8809913
EL16XC1-024-230A	TXV	24,000	16.00	13.00	CX34-38A	SL280UH070V36A	8809914
EL16XC1-024-230A	TXV	24,000	16.00	13.00	CX34-38A	SL280UH070XV36A	8809915
EL16XC1-024-230A	TXV	24,000	14.50	12.20	CX34-38A		8809916
EL16XC1-024-230A	TXV	24,000	16.00	13.00	CX34-38B	EL180UH070E36B	8809917
EL16XC1-024-230A	TXV	24,000	16.00	13.00	CX34-38B	EL180UH070XE36B	8809918
EL16XC1-024-230A	TXV	24,000	16.00	13.00	CX34-38B	EL195UH030XE24B	8809919
EL16XC1-024-230A	TXV	24,000	16.00	13.00	CX34-38B	EL195UH045XE24B	8809920
EL16XC1-024-230A	TXV	24,000	16.00	13.00	CX34-38B	EL195UH045XE36B	8809921
EL16XC1-024-230A	TXV	24,000	16.00	13.00	CX34-38B	EL195UH070XE36B	8809922
EL16XC1-024-230A	TXV	24,000	16.00	13.00	CX34-38B	EL296UH045XE36B	8809923
EL16XC1-024-230A	TXV	24,000	16.00	13.00	CX34-38B	EL296UH045XV36B	8809924
EL16XC1-024-230A	TXV	24,000	16.00	13.00	CX34-38B	EL296UH070XE36B	8809925
EL16XC1-024-230A	TXV	24,000	16.00	13.00	CX34-38B	EL296UH070XV36B	8809926
EL16XC1-024-230A	TXV	24,000	16.00	13.00	CX34-38B	SL280UH090V36B	8809927
EL16XC1-024-230A	TXV	24,000	16.00	13.00	CX34-38B	SL280UH090V48B	8809928
EL16XC1-024-230A	TXV	24,000	16.00	13.00	CX34-38B	SL280UH090XV48B	8809929
EL16XC1-024-230A	TXV	24,000	16.00	13.00	CX34-38B	SLP98UH070XV36B	8809930
EL16XC1-024-230A	TXV	24,000	14.50	12.20	CX34-38B		8809931
EL16XC1-024-230A	TXV	23,800	15.10	12.50	CX35-18/24A	EL180UH045E36A	8809932
EL16XC1-024-230A	TXV	23,800	15.10	12.50	CX35-18/24A	EL180UH045XE36A	8809933
EL16XC1-024-230A	TXV	24,000	16.00	13.00	CX35-24A	EL180UH045E36A	8809934
EL16XC1-024-230A	TXV	24,000	16.00	13.00	CX35-24A	EL180UH045XE36A	8809935
EL16XC1-024-230A	TXV	24,000	16.00	13.00	CX35-24A	SL280UH070V36A	8809936
EL16XC1-024-230A	TXV	24,000	16.00	13.00	CX35-24A	SL280UH070XV36A	8809937
EL16XC1-024-230A	TXV	24,000	16.00	13.00	CX35-24B	EL180UH070E36B	8809938
EL16XC1-024-230A	TXV	24,000	16.00	13.00	CX35-24B	EL180UH070XE36B	8809939
EL16XC1-024-230A	TXV	24,000	16.00	13.00	CX35-24B	EL195UH030XE24B	8809940
EL16XC1-024-230A	TXV	24,000	16.00	13.00	CX35-24B	EL195UH045XE24B	8809941
EL16XC1-024-230A	TXV	24,000	16.00	13.00	CX35-24B	EL195UH045XE36B	8809942
EL16XC1-024-230A	TXV	24,000	16.00	13.00	CX35-24B	EL195UH070XE36B	8809943
EL16XC1-024-230A	TXV	24,000	16.00	13.00	CX35-24B	EL296UH045XE36B	8809944
EL16XC1-024-230A	TXV	24,000	16.00	13.00	CX35-24B	EL296UH045XV36B	8809945
EL16XC1-024-230A	TXV	24,000	16.00	13.00	CX35-24B	EL296UH070XE36B	8809946

NOTES:

TXV = Matched with Thermostatic Expansion Valve.

RFC = Matched with RFC metering device.

AHRI certified to AHRI Standard 210/240 (with 25 ft. of connecting refrigerant lines); 95°F outdoor air temperature, 80°F db / 67°F wb entering evaporator air. All ratings include the use of a blower time delay relay (TDR). All Lennox variable-speed furnaces and Air Handlers have time delay capabilities. Other Furnaces and Air Handlers may require an optional time delay relay (**58M81**) for field installation. See furnace or air handler specifications to determine if relay is needed.

Also see Expansion Valve Kit Usage Table.

AHRI SYSTEM MATCHES - ALL REGIONS - 018-024-030-041-042-047-048-060

NOTE - For the latest up-to-date system matches please visit the AHRI web site at <http://www.ahridirectory.org>

Model No.	Expansion Device	Capacity	SEER	EER	Coil or Air Handler	Furnace	AHRI Reference
EL16XC1-024-230A	TXV	24,000	16.00	13.00	CX35-24B	EL296UH070XV36B	8809947
EL16XC1-024-230A	TXV	24,000	16.00	13.00	CX35-24B	SL280UH090V36B	8809948
EL16XC1-024-230A	TXV	24,000	16.00	13.00	CX35-24B	SL280UH090V48B	8809949
EL16XC1-024-230A	TXV	24,000	16.00	13.00	CX35-24B	SL280UH090XV48B	8809950
EL16XC1-024-230A	TXV	24,000	16.00	13.00	CX35-24B	SLP98UH070XV36B	8809951
EL16XC1-024-230A	TXV	24,000	16.00	13.00	CX35-30/36A	EL180UH045E36A	8809952
EL16XC1-024-230A	TXV	24,000	16.00	13.00	CX35-30/36A	EL180UH045XE36A	8809953
EL16XC1-024-230A	TXV	24,000	16.00	13.00	CX35-30/36A	SL280UH070V36A	8809954
EL16XC1-024-230A	TXV	24,000	16.00	13.00	CX35-30/36A	SL280UH070XV36A	8809955
EL16XC1-024-230A	TXV	24,000	16.00	13.00	CX35-30/36B	EL180UH070E36B	8809956
EL16XC1-024-230A	TXV	24,000	16.00	13.00	CX35-30/36B	EL180UH070XE36B	8809957
EL16XC1-024-230A	TXV	24,000	16.00	13.00	CX35-30/36B	EL195UH030XE24B	8809958
EL16XC1-024-230A	TXV	24,000	16.00	13.00	CX35-30/36B	EL195UH045XE24B	8809959
EL16XC1-024-230A	TXV	24,000	16.00	13.00	CX35-30/36B	EL195UH045XE36B	8809960
EL16XC1-024-230A	TXV	24,000	16.00	13.00	CX35-30/36B	EL195UH070XE36B	8809961
EL16XC1-024-230A	TXV	24,000	16.00	13.00	CX35-30/36B	EL296UH045XE36B	8809962
EL16XC1-024-230A	TXV	24,000	16.00	13.00	CX35-30/36B	EL296UH045XV36B	8809963
EL16XC1-024-230A	TXV	24,000	16.00	13.00	CX35-30/36B	EL296UH070XE36B	8809964
EL16XC1-024-230A	TXV	24,000	16.00	13.00	CX35-30/36B	EL296UH070XV36B	8809965
EL16XC1-024-230A	TXV	24,000	16.00	13.00	CX35-30/36B	SL280UH090V36B	8809966
EL16XC1-024-230A	TXV	24,000	16.00	13.00	CX35-30/36B	SL280UH090V48B	8809967
EL16XC1-024-230A	TXV	24,000	16.00	13.00	CX35-30/36B	SL280UH090XV48B	8809968
EL16XC1-024-230A	TXV	24,000	16.00	13.00	CX35-30/36B	SLP98UH070XV36B	8809969
EL16XC1-024-230A	TXV	24,000	16.00	13.00	CX35-30/36C	EL296UH090XV36C	8809970
EL16XC1-024-230A	TXV	24,000	16.00	13.00	CX35-30/36C	SLP98UH090XV36C	8809971
EL16XC1-024-230A	TXV	24,000	16.00	13.00	CX35-30A	EL180UH045E36A	8809972
EL16XC1-024-230A	TXV	24,000	16.00	13.00	CX35-30A	EL180UH045XE36A	8809973
EL16XC1-024-230A	TXV	24,000	16.00	13.00	CX35-30A	SL280UH070V36A	8809974
EL16XC1-024-230A	TXV	24,000	16.00	13.00	CX35-30A	SL280UH070XV36A	8809975
EL16XC1-024-230A	TXV	24,000	14.50	12.20	CX35-30A		8809976
EL16XC1-024-230A	TXV	24,000	16.00	13.00	CX35-30B	EL180UH070E36B	8809977
EL16XC1-024-230A	TXV	24,000	16.00	13.00	CX35-30B	EL180UH070XE36B	8809978
EL16XC1-024-230A	TXV	24,000	16.00	13.00	CX35-30B	EL195UH030XE24B	8809979
EL16XC1-024-230A	TXV	24,000	16.00	13.00	CX35-30B	EL195UH045XE24B	8809980
EL16XC1-024-230A	TXV	24,000	16.00	13.00	CX35-30B	EL195UH045XE36B	8809981
EL16XC1-024-230A	TXV	24,000	16.00	13.00	CX35-30B	EL195UH070XE36B	8809982
EL16XC1-024-230A	TXV	24,000	16.00	13.00	CX35-30B	EL296UH045XE36B	8809983
EL16XC1-024-230A	TXV	24,000	16.00	13.00	CX35-30B	EL296UH045XV36B	8809984
EL16XC1-024-230A	TXV	24,000	16.00	13.00	CX35-30B	EL296UH070XE36B	8809985
EL16XC1-024-230A	TXV	24,000	16.00	13.00	CX35-30B	EL296UH070XV36B	8809986
EL16XC1-024-230A	TXV	24,000	16.00	13.00	CX35-30B	SL280UH090V36B	8809987
EL16XC1-024-230A	TXV	24,000	16.00	13.00	CX35-30B	SL280UH090V48B	8809988
EL16XC1-024-230A	TXV	24,000	16.00	13.00	CX35-30B	SL280UH090XV48B	8809989
EL16XC1-024-230A	TXV	24,000	16.00	13.00	CX35-30B	SLP98UH070XV36B	8809990
EL16XC1-024-230A	TXV	24,000	14.50	12.20	CX35-30B		8809991
EL16XC1-024-230A	TXV	24,000	16.00	13.00	CX35-36A	EL180UH045E36A	8809992
EL16XC1-024-230A	TXV	24,000	16.00	13.00	CX35-36A	EL180UH045XE36A	8809993
EL16XC1-024-230A	TXV	24,000	16.00	13.00	CX35-36A	SL280UH070V36A	8809994
EL16XC1-024-230A	TXV	24,000	16.00	13.00	CX35-36A	SL280UH070XV36A	8809995

NOTES:

TXV = Matched with Thermostatic Expansion Valve.

RFC = Matched with RFC metering device.

AHRI certified to AHRI Standard 210/240 (with 25 ft. of connecting refrigerant lines); 95°F outdoor air temperature, 80°F db / 67°F wb entering evaporator air.

All ratings include the use of a blower time delay relay (TDR). All Lennox variable-speed furnaces and Air Handlers have time delay capabilities. Other Furnaces and Air Handlers may require an optional time delay relay (**58M81**) for field installation. See furnace or air handler specifications to determine if relay is needed.

Also see Expansion Valve Kit Usage Table.

AHRI SYSTEM MATCHES - ALL REGIONS - 018-024-030-041-042-047-048-060

NOTE - For the latest up-to-date system matches please visit the AHRI web site at <http://www.ahridirectory.org>

Model No.	Expansion Device	Capacity	SEER	EER	Coil or Air Handler	Furnace	AHRI Reference
EL16XC1-024-230A	TXV	24,000	14.50	12.20	CX35-36A		8809996
EL16XC1-024-230A	TXV	24,000	16.00	13.00	CX35-36B	EL180UH070E36B	8809997
EL16XC1-024-230A	TXV	24,000	16.00	13.00	CX35-36B	EL180UH070XE36B	8809998
EL16XC1-024-230A	TXV	24,000	16.00	13.00	CX35-36B	EL195UH030XE24B	8809999
EL16XC1-024-230A	TXV	24,000	16.00	13.00	CX35-36B	EL195UH045XE24B	8810000
EL16XC1-024-230A	TXV	24,000	16.00	13.00	CX35-36B	EL195UH045XE36B	8810001
EL16XC1-024-230A	TXV	24,000	16.00	13.00	CX35-36B	EL195UH070XE36B	8810002
EL16XC1-024-230A	TXV	24,000	16.00	13.00	CX35-36B	EL296UH045XE36B	8810003
EL16XC1-024-230A	TXV	24,000	16.00	13.00	CX35-36B	EL296UH045XV36B	8810004
EL16XC1-024-230A	TXV	24,000	16.00	13.00	CX35-36B	EL296UH070XE36B	8810005
EL16XC1-024-230A	TXV	24,000	16.00	13.00	CX35-36B	EL296UH070XV36B	8810006
EL16XC1-024-230A	TXV	24,000	16.00	13.00	CX35-36B	SL280UH090V36B	8810007
EL16XC1-024-230A	TXV	24,000	16.00	13.00	CX35-36B	SL280UH090V48B	8810008
EL16XC1-024-230A	TXV	24,000	16.00	13.00	CX35-36B	SL280UH090XV48B	8810009
EL16XC1-024-230A	TXV	24,000	16.00	13.00	CX35-36B	SLP98UH070XV36B	8810010
EL16XC1-024-230A	TXV	24,000	14.50	12.20	CX35-36B		8810011
EL16XC1-030-230A	RFC	28,600	14.00	12.20	C33-31A		8810274
EL16XC1-030-230A	RFC	28,600	14.00	12.20	C33-31B		8810288
EL16XC1-030-230A	RFC	28,800	14.25	12.20	C33-38A		8810314
EL16XC1-030-230A	RFC	28,800	14.25	12.20	C33-38B		8810328
EL16XC1-030-230A	RFC	28,800	14.25	12.20	C33-43		8810354
EL16XC1-030-230A	RFC	28,600	14.25	12.20	C35-30B		8810884
EL16XC1-030-230A	RFC	28,600	14.25	12.20	CH33-31A		8810513
EL16XC1-030-230A	RFC	28,800	14.25	12.20	CH33-31B		8810527
EL16XC1-030-230A	RFC	29,200	14.50	12.50	CH33-43B		8810571
EL16XC1-030-230A	TXV	28,400	15.50	12.50	C33-25A	EL180UH045E36A	8810235
EL16XC1-030-230A	TXV	28,400	15.50	12.50	C33-25A	EL180UH045XE36A	8810236
EL16XC1-030-230A	TXV	28,400	15.50	12.50	C33-25A	SL280UH070V36A	8810238
EL16XC1-030-230A	TXV	28,400	15.50	12.50	C33-25A	SL280UH070XV36A	8810239
EL16XC1-030-230A	TXV	28,600	15.50	12.50	C33-25B	EL180UH070E36B	8810240
EL16XC1-030-230A	TXV	28,600	15.50	12.50	C33-25B	EL180UH070XE36B	8810241
EL16XC1-030-230A	TXV	28,600	15.50	13.00	C33-25B	EL180UH090E48B	8810242
EL16XC1-030-230A	TXV	28,600	15.50	13.00	C33-25B	EL180UH090XE48B	8810243
EL16XC1-030-230A	TXV	28,400	15.10	12.50	C33-25B	EL195UH045XE36B	8810244
EL16XC1-030-230A	TXV	28,600	15.10	12.50	C33-25B	EL195UH070XE36B	8810245
EL16XC1-030-230A	TXV	28,400	15.10	12.50	C33-25B	EL296UH045XE36B	8810246
EL16XC1-030-230A	TXV	28,600	15.10	12.50	C33-25B	EL296UH070XE36B	8810247
EL16XC1-030-230A	TXV	28,600	15.50	12.50	C33-25B	EL296UH070XV36B	8810248
EL16XC1-030-230A	TXV	28,600	16.00	13.00	C33-25B	SL280UH090V36B	8810249
EL16XC1-030-230A	TXV	28,600	15.50	12.50	C33-25B	SLP98UH070XV36B	8810251
EL16XC1-030-230A	TXV	27,600	14.50	12.50	C33-30A	EL180UH045E36A	8810252
EL16XC1-030-230A	TXV	27,600	14.50	12.50	C33-30A	EL180UH045XE36A	8810253
EL16XC1-030-230A	TXV	27,600	14.50	12.50	C33-30A	SL280UH070V36A	8810254
EL16XC1-030-230A	TXV	27,600	14.50	12.50	C33-30A	SL280UH070XV36A	8810255
EL16XC1-030-230A	TXV	27,600	15.10	12.50	C33-30B	EL180UH070E36B	8810256
EL16XC1-030-230A	TXV	27,600	15.10	12.50	C33-30B	EL180UH070XE36B	8810257
EL16XC1-030-230A	TXV	27,600	15.10	12.50	C33-30B	EL180UH090E48B	8810258
EL16XC1-030-230A	TXV	27,600	15.10	12.50	C33-30B	EL180UH090XE48B	8810259
EL16XC1-030-230A	TXV	27,400	14.50	12.20	C33-30B	EL195UH045XE36B	8810260

NOTES:

TXV = Matched with Thermostatic Expansion Valve.

RFC = Matched with RFC metering device.

AHRI certified to AHRI Standard 210/240 (with 25 ft. of connecting refrigerant lines); 95°F outdoor air temperature, 80°F db / 67°F wb entering evaporator air. All ratings include the use of a blower time delay relay (TDR). All Lennox variable-speed furnaces and Air Handlers have time delay capabilities. Other Furnaces and Air Handlers may require an optional time delay relay (**58M81**) for field installation. See furnace or air handler specifications to determine if relay is needed.

Also see Expansion Valve Kit Usage Table.

AHRI SYSTEM MATCHES - ALL REGIONS - 018-024-030-041-042-047-048-060

NOTE - For the latest up-to-date system matches please visit the AHRI web site at <http://www.ahridirectory.org>

Model No.	Expansion Device	Capacity	SEER	EER	Coil or Air Handler	Furnace	AHRI Reference
EL16XC1-030-230A	TXV	27,600	14.50	12.20	C33-30B	EL195UH070XE36B	8810261
EL16XC1-030-230A	TXV	27,400	14.50	12.20	C33-30B	EL296UH045XE36B	8810263
EL16XC1-030-230A	TXV	27,600	14.50	12.20	C33-30B	EL296UH070XE36B	8810264
EL16XC1-030-230A	TXV	27,600	14.50	12.50	C33-30B	EL296UH070XV36B	8810265
EL16XC1-030-230A	TXV	27,800	15.10	12.50	C33-30B	SL280UH090V36B	8810266
EL16XC1-030-230A	TXV	27,600	14.50	12.50	C33-30B	SLP98UH070XV36B	8810267
EL16XC1-030-230A	TXV	27,600	15.10	12.50	C33-30C	SLP98UH090XV36C	8810268
EL16XC1-030-230A	TXV	29,000	15.50	12.50	C33-31A	EL180UH045E36A	8810269
EL16XC1-030-230A	TXV	29,000	15.50	12.50	C33-31A	EL180UH045XE36A	8810270
EL16XC1-030-230A	TXV	29,000	16.00	13.00	C33-31A	SL280UH070V36A	8810271
EL16XC1-030-230A	TXV	29,000	16.00	13.00	C33-31A	SL280UH070XV36A	8810273
EL16XC1-030-230A	TXV	28,600	14.25	12.20	C33-31A		8810275
EL16XC1-030-230A	TXV	29,200	16.00	13.00	C33-31B	EL180UH070E36B	8810276
EL16XC1-030-230A	TXV	29,200	16.00	13.00	C33-31B	EL180UH070XE36B	8810277
EL16XC1-030-230A	TXV	29,200	16.00	13.00	C33-31B	EL180UH090E48B	8810278
EL16XC1-030-230A	TXV	29,200	16.00	13.00	C33-31B	EL180UH090XE48B	8810279
EL16XC1-030-230A	TXV	29,000	15.50	12.50	C33-31B	EL195UH045XE36B	8810280
EL16XC1-030-230A	TXV	29,200	15.50	12.50	C33-31B	EL195UH070XE36B	8810281
EL16XC1-030-230A	TXV	29,000	15.50	12.50	C33-31B	EL296UH045XE36B	8810282
EL16XC1-030-230A	TXV	29,200	15.50	12.50	C33-31B	EL296UH070XE36B	8810283
EL16XC1-030-230A	TXV	29,000	16.00	13.00	C33-31B	EL296UH070XV36B	8810285
EL16XC1-030-230A	TXV	29,000	16.00	13.00	C33-31B	SL280UH090V36B	8810286
EL16XC1-030-230A	TXV	29,000	16.00	13.00	C33-31B	SLP98UH070XV36B	8810287
EL16XC1-030-230A	TXV	28,600	14.25	12.20	C33-31B		8810289
EL16XC1-030-230A	TXV	28,400	15.10	12.50	C33-36A	EL180UH045E36A	8810290
EL16XC1-030-230A	TXV	28,400	15.10	12.50	C33-36A	EL180UH045XE36A	8810291
EL16XC1-030-230A	TXV	28,400	15.50	12.50	C33-36A	SL280UH070V36A	8810292
EL16XC1-030-230A	TXV	28,400	15.50	12.50	C33-36A	SL280UH070XV36A	8810293
EL16XC1-030-230A	TXV	28,600	15.50	12.50	C33-36B	EL180UH070E36B	8810294
EL16XC1-030-230A	TXV	28,600	15.50	12.50	C33-36B	EL180UH070XE36B	8810295
EL16XC1-030-230A	TXV	28,600	15.50	13.00	C33-36B	EL180UH090E48B	8810296
EL16XC1-030-230A	TXV	28,600	15.50	13.00	C33-36B	EL180UH090XE48B	8810297
EL16XC1-030-230A	TXV	28,400	15.10	12.50	C33-36B	EL195UH045XE36B	8810298
EL16XC1-030-230A	TXV	28,400	15.10	12.50	C33-36B	EL195UH070XE36B	8810299
EL16XC1-030-230A	TXV	28,400	15.10	12.50	C33-36B	EL296UH045XE36B	8810300
EL16XC1-030-230A	TXV	28,400	15.10	12.50	C33-36B	EL296UH045XV36B	8810301
EL16XC1-030-230A	TXV	28,400	15.10	12.50	C33-36B	EL296UH070XE36B	8810302
EL16XC1-030-230A	TXV	28,400	15.50	12.50	C33-36B	EL296UH070XV36B	8810303
EL16XC1-030-230A	TXV	28,400	15.50	12.50	C33-36B	SL280UH090V36B	8810304
EL16XC1-030-230A	TXV	28,400	15.50	12.50	C33-36B	SLP98UH070XV36B	8810305
EL16XC1-030-230A	TXV	28,200	15.50	12.50	C33-36C	EL195UH090XE48C	8810306
EL16XC1-030-230A	TXV	28,200	15.50	12.50	C33-36C	EL296UH090XE48C	8810307
EL16XC1-030-230A	TXV	28,400	15.50	12.50	C33-36C	EL296UH090XV36C	8810308
EL16XC1-030-230A	TXV	28,400	15.50	12.50	C33-36C	SLP98UH090XV36C	8810309
EL16XC1-030-230A	TXV	29,200	16.00	13.00	C33-38A	EL180UH045E36A	8810310
EL16XC1-030-230A	TXV	29,200	16.00	13.00	C33-38A	EL180UH045XE36A	8810311
EL16XC1-030-230A	TXV	29,200	16.00	13.00	C33-38A	SL280UH070V36A	8810312
EL16XC1-030-230A	TXV	29,200	16.00	13.00	C33-38A	SL280UH070XV36A	8810313
EL16XC1-030-230A	TXV	28,800	14.50	12.20	C33-38A		8810315

NOTES:

TXV = Matched with Thermostatic Expansion Valve.

RFC = Matched with RFC metering device.

AHRI certified to AHRI Standard 210/240 (with 25 ft. of connecting refrigerant lines); 95°F outdoor air temperature, 80°F db / 67°F wb entering evaporator air.

All ratings include the use of a blower time delay relay (TDR). All Lennox variable-speed furnaces and Air Handlers have time delay capabilities. Other Furnaces and Air Handlers may require an optional time delay relay (**58M81**) for field installation. See furnace or air handler specifications to determine if relay is needed.

Also see Expansion Valve Kit Usage Table.

AHRI SYSTEM MATCHES - ALL REGIONS - 018-024-030-041-042-047-048-060

NOTE - For the latest up-to-date system matches please visit the AHRI web site at <http://www.ahridirectory.org>

Model No.	Expansion Device	Capacity	SEER	EER	Coil or Air Handler	Furnace	AHRI Reference
EL16XC1-030-230A	TXV	29,400	16.00	13.00	C33-38B	EL180UH070E36B	8810316
EL16XC1-030-230A	TXV	29,400	16.00	13.00	C33-38B	EL180UH070XE36B	8810317
EL16XC1-030-230A	TXV	29,400	16.00	13.00	C33-38B	EL180UH090E48B	8810318
EL16XC1-030-230A	TXV	29,400	16.00	13.00	C33-38B	EL180UH090XE48B	8810319
EL16XC1-030-230A	TXV	29,200	15.50	13.00	C33-38B	EL195UH045XE36B	8810320
EL16XC1-030-230A	TXV	29,400	15.50	13.00	C33-38B	EL195UH070XE36B	8810321
EL16XC1-030-230A	TXV	29,200	15.50	13.00	C33-38B	EL296UH045XE36B	8810322
EL16XC1-030-230A	TXV	29,400	15.50	13.00	C33-38B	EL296UH045XV36B	8810323
EL16XC1-030-230A	TXV	29,400	15.50	13.00	C33-38B	EL296UH070XE36B	8810324
EL16XC1-030-230A	TXV	29,400	16.00	13.00	C33-38B	EL296UH070XV36B	8810325
EL16XC1-030-230A	TXV	29,400	16.00	13.00	C33-38B	SL280UH090V36B	8810326
EL16XC1-030-230A	TXV	29,400	16.00	13.00	C33-38B	SLP98UH070XV36B	8810327
EL16XC1-030-230A	TXV	28,800	14.50	12.20	C33-38B		8810329
EL16XC1-030-230A	TXV	28,600	15.50	12.50	C33-42	EL180UH070E36B	8810330
EL16XC1-030-230A	TXV	28,600	15.50	12.50	C33-42	EL180UH070XE36B	8810331
EL16XC1-030-230A	TXV	28,600	15.50	13.00	C33-42	EL180UH090E48B	8810332
EL16XC1-030-230A	TXV	28,600	15.50	13.00	C33-42	EL180UH090XE48B	8810333
EL16XC1-030-230A	TXV	28,400	15.10	12.50	C33-42	EL195UH045XE36B	8810334
EL16XC1-030-230A	TXV	28,400	15.10	12.50	C33-42	EL195UH070XE36B	8810335
EL16XC1-030-230A	TXV	28,400	15.10	12.50	C33-42	EL296UH045XE36B	8810336
EL16XC1-030-230A	TXV	28,400	15.10	12.50	C33-42	EL296UH045XV36B	8810337
EL16XC1-030-230A	TXV	28,400	15.10	12.50	C33-42	EL296UH070XE36B	8810338
EL16XC1-030-230A	TXV	28,400	15.50	12.50	C33-42	EL296UH070XV36B	8810339
EL16XC1-030-230A	TXV	28,400	15.50	12.50	C33-42	SL280UH090V36B	8810340
EL16XC1-030-230A	TXV	28,400	15.50	12.50	C33-42	SLP98UH070XV36B	8810341
EL16XC1-030-230A	TXV	29,600	16.00	13.00	C33-43B	EL180UH070E36B	8810342
EL16XC1-030-230A	TXV	29,600	16.00	13.00	C33-43B	EL180UH070XE36B	8810343
EL16XC1-030-230A	TXV	29,600	16.00	13.00	C33-43B	EL180UH090E48B	8810344
EL16XC1-030-230A	TXV	29,600	16.00	13.00	C33-43B	EL180UH090XE48B	8810345
EL16XC1-030-230A	TXV	29,400	16.00	13.00	C33-43B	EL195UH045XE36B	8810346
EL16XC1-030-230A	TXV	29,600	16.00	13.00	C33-43B	EL195UH070XE36B	8810347
EL16XC1-030-230A	TXV	29,400	16.00	13.00	C33-43B	EL296UH045XE36B	8810348
EL16XC1-030-230A	TXV	29,400	15.50	13.00	C33-43B	EL296UH045XV36B	8810349
EL16XC1-030-230A	TXV	29,600	16.00	13.00	C33-43B	EL296UH070XE36B	8810350
EL16XC1-030-230A	TXV	29,400	16.00	13.00	C33-43B	EL296UH070XV36B	8810351
EL16XC1-030-230A	TXV	29,400	16.00	13.00	C33-43B	SL280UH090V36B	8810352
EL16XC1-030-230A	TXV	29,400	16.00	13.00	C33-43B	SLP98UH070XV36B	8810353
EL16XC1-030-230A	TXV	28,800	14.50	12.20	C33-43B		8810355
EL16XC1-030-230A	TXV	29,400	16.00	13.00	C33-43C	EL195UH090XE48C	8810356
EL16XC1-030-230A	TXV	29,400	16.00	13.00	C33-43C	EL296UH090XE48C	8810357
EL16XC1-030-230A	TXV	29,400	16.00	13.00	C33-43C	EL296UH090XV36C	8810358
EL16XC1-030-230A	TXV	29,200	16.00	13.00	C33-43C	EL296UH090XV48C	8810360
EL16XC1-030-230A	TXV	29,400	16.00	13.00	C33-43C	SLP98UH090XV36C	8810361
EL16XC1-030-230A	TXV	29,200	16.00	13.00	C33-43C	SLP98UH090XV48C	8810362
EL16XC1-030-230A	TXV	28,800	14.50	12.20	C33-43C		8810363
EL16XC1-030-230A	TXV	28,600	15.50	12.50	C35-24A	EL180UH045E36A	8810364
EL16XC1-030-230A	TXV	28,600	15.50	12.50	C35-24A	EL180UH045XE36A	8810365
EL16XC1-030-230A	TXV	28,600	15.50	12.50	C35-24A	SL280UH070V36A	8810366
EL16XC1-030-230A	TXV	28,600	15.50	12.50	C35-24A	SL280UH070XV36A	8810368

NOTES:

TXV = Matched with Thermostatic Expansion Valve.

RFC = Matched with RFC metering device.

AHRI certified to AHRI Standard 210/240 (with 25 ft. of connecting refrigerant lines); 95°F outdoor air temperature, 80°F db / 67°F wb entering evaporator air.

All ratings include the use of a blower time delay relay (TDR). All Lennox variable-speed furnaces and Air Handlers have time delay capabilities. Other Furnaces and Air Handlers may require an optional time delay relay (**58M81**) for field installation. See furnace or air handler specifications to determine if relay is needed.

Also see Expansion Valve Kit Usage Table.

AHRI SYSTEM MATCHES - ALL REGIONS - 018-024-030-041-042-047-048-060

NOTE - For the latest up-to-date system matches please visit the AHRI web site at <http://www.ahridirectory.org>

Model No.	Expansion Device	Capacity	SEER	EER	Coil or Air Handler	Furnace	AHRI Reference
EL16XC1-030-230A	TXV	28,600	15.50	13.00	C35-24B	EL180UH070E36B	8810369
EL16XC1-030-230A	TXV	28,600	15.50	13.00	C35-24B	EL180UH070XE36B	8810370
EL16XC1-030-230A	TXV	28,600	15.50	13.00	C35-24B	EL180UH090E48B	8810371
EL16XC1-030-230A	TXV	28,600	15.50	13.00	C35-24B	EL180UH090XE48B	8810372
EL16XC1-030-230A	TXV	28,600	15.10	12.50	C35-24B	EL195UH045XE36B	8810373
EL16XC1-030-230A	TXV	28,800	15.10	12.50	C35-24B	EL195UH070XE36B	8810374
EL16XC1-030-230A	TXV	28,600	15.10	12.50	C35-24B	EL296UH045XE36B	8810376
EL16XC1-030-230A	TXV	28,800	15.10	12.50	C35-24B	EL296UH070XE36B	8810377
EL16XC1-030-230A	TXV	28,600	15.50	12.50	C35-24B	EL296UH070XV36B	8810378
EL16XC1-030-230A	TXV	28,600	16.00	13.00	C35-24B	SL280UH090V36B	8810379
EL16XC1-030-230A	TXV	28,600	15.50	12.50	C35-24B	SLP98UH070XV36B	8810380
EL16XC1-030-230A	TXV	28,400	15.50	12.50	C35-30/36A	EL180UH045E36A	8810381
EL16XC1-030-230A	TXV	28,400	15.50	12.50	C35-30/36A	EL180UH045XE36A	8810382
EL16XC1-030-230A	TXV	28,400	15.50	12.50	C35-30/36A	SL280UH070V36A	8810383
EL16XC1-030-230A	TXV	28,400	15.50	12.50	C35-30/36A	SL280UH070XV36A	8810384
EL16XC1-030-230A	TXV	28,600	15.50	13.00	C35-30/36B	EL180UH070E36B	8810385
EL16XC1-030-230A	TXV	28,600	15.50	13.00	C35-30/36B	EL180UH070XE36B	8810386
EL16XC1-030-230A	TXV	28,600	16.00	13.00	C35-30/36B	EL180UH090E48B	8810387
EL16XC1-030-230A	TXV	28,600	16.00	13.00	C35-30/36B	EL180UH090XE48B	8810388
EL16XC1-030-230A	TXV	28,600	15.10	12.50	C35-30/36B	EL195UH045XE36B	8810389
EL16XC1-030-230A	TXV	28,600	15.10	12.50	C35-30/36B	EL195UH070XE36B	8810390
EL16XC1-030-230A	TXV	28,600	15.10	12.50	C35-30/36B	EL296UH045XE36B	8810391
EL16XC1-030-230A	TXV	28,600	15.10	12.50	C35-30/36B	EL296UH045XV36B	8810392
EL16XC1-030-230A	TXV	28,600	15.10	12.50	C35-30/36B	EL296UH070XE36B	8810393
EL16XC1-030-230A	TXV	28,600	15.50	12.50	C35-30/36B	EL296UH070XV36B	8810394
EL16XC1-030-230A	TXV	28,600	15.50	13.00	C35-30/36B	SL280UH090V36B	8810395
EL16XC1-030-230A	TXV	28,600	15.50	12.50	C35-30/36B	SLP98UH070XV36B	8810396
EL16XC1-030-230A	TXV	28,400	15.50	12.50	C35-30/36C	EL195UH090XE48C	8810397
EL16XC1-030-230A	TXV	28,400	15.50	12.50	C35-30/36C	EL296UH090XE48C	8810398
EL16XC1-030-230A	TXV	28,400	15.50	13.00	C35-30/36C	EL296UH090XV36C	8810399
EL16XC1-030-230A	TXV	28,400	15.50	13.00	C35-30/36C	SLP98UH090XV36C	8810400
EL16XC1-030-230A	TXV	29,200	15.50	13.00	C35-30A	EL180UH045E36A	8810401
EL16XC1-030-230A	TXV	29,200	15.50	13.00	C35-30A	EL180UH045XE36A	8810402
EL16XC1-030-230A	TXV	29,200	16.00	13.00	C35-30A	SL280UH070V36A	8810403
EL16XC1-030-230A	TXV	29,200	16.00	13.00	C35-30A	SL280UH070XV36A	8810404
EL16XC1-030-230A	TXV	28,600	14.25	12.20	C35-30A		8810405
EL16XC1-030-230A	TXV	29,200	16.00	13.00	C35-30B	EL180UH070E36B	8810406
EL16XC1-030-230A	TXV	29,200	16.00	13.00	C35-30B	EL180UH070XE36B	8810407
EL16XC1-030-230A	TXV	29,200	16.00	13.00	C35-30B	EL180UH090E48B	8810408
EL16XC1-030-230A	TXV	29,200	16.00	13.00	C35-30B	EL180UH090XE48B	8810409
EL16XC1-030-230A	TXV	29,200	15.50	12.50	C35-30B	EL195UH045XE36B	8810410
EL16XC1-030-230A	TXV	29,400	15.50	12.50	C35-30B	EL195UH070XE36B	8810411
EL16XC1-030-230A	TXV	29,200	15.50	12.50	C35-30B	EL296UH045XE36B	8810412
EL16XC1-030-230A	TXV	29,400	15.50	12.50	C35-30B	EL296UH070XE36B	8810413
EL16XC1-030-230A	TXV	29,200	16.00	13.00	C35-30B	EL296UH070XV36B	8810414
EL16XC1-030-230A	TXV	29,200	16.00	13.00	C35-30B	SL280UH090V36B	8810415
EL16XC1-030-230A	TXV	29,200	16.00	13.00	C35-30B	SLP98UH070XV36B	8810416
EL16XC1-030-230A	TXV	29,400	16.00	13.00	C35-36A	EL180UH045E36A	8810417
EL16XC1-030-230A	TXV	29,400	16.00	13.00	C35-36A	EL180UH045XE36A	8810418

NOTES:

TXV = Matched with Thermostatic Expansion Valve.

RFC = Matched with RFC metering device.

AHRI certified to AHRI Standard 210/240 (with 25 ft. of connecting refrigerant lines); 95°F outdoor air temperature, 80°F db / 67°F wb entering evaporator air.

All ratings include the use of a blower time delay relay (TDR). All Lennox variable-speed furnaces and Air Handlers have time delay capabilities. Other Furnaces and Air Handlers may require an optional time delay relay (**58M81**) for field installation. See furnace or air handler specifications to determine if relay is needed.

Also see Expansion Valve Kit Usage Table.

AHRI SYSTEM MATCHES - ALL REGIONS - 018-024-030-041-042-047-048-060

NOTE - For the latest up-to-date system matches please visit the AHRI web site at <http://www.ahridirectory.org>

Model No.	Expansion Device	Capacity	SEER	EER	Coil or Air Handler	Furnace	AHRI Reference
EL16XC1-030-230A	TXV	29,400	16.00	13.00	C35-36A	SL280UH070V36A	8810419
EL16XC1-030-230A	TXV	29,400	16.00	13.00	C35-36A	SL280UH070XV36A	8810420
EL16XC1-030-230A	TXV	28,800	14.50	12.20	C35-36A		8810421
EL16XC1-030-230A	TXV	29,600	16.00	13.00	C35-36B	EL180UH070E36B	8810422
EL16XC1-030-230A	TXV	29,600	16.00	13.00	C35-36B	EL180UH070XE36B	8810423
EL16XC1-030-230A	TXV	29,600	16.00	13.00	C35-36B	EL180UH090E48B	8810424
EL16XC1-030-230A	TXV	29,600	16.00	13.00	C35-36B	EL180UH090XE48B	8810425
EL16XC1-030-230A	TXV	29,400	15.50	13.00	C35-36B	EL195UH045XE36B	8810426
EL16XC1-030-230A	TXV	29,600	16.00	13.00	C35-36B	EL195UH070XE36B	8810427
EL16XC1-030-230A	TXV	29,400	15.50	13.00	C35-36B	EL296UH045XE36B	8810428
EL16XC1-030-230A	TXV	29,400	15.50	13.00	C35-36B	EL296UH045XV36B	8810429
EL16XC1-030-230A	TXV	29,600	16.00	13.00	C35-36B	EL296UH070XE36B	8810430
EL16XC1-030-230A	TXV	29,400	16.00	13.00	C35-36B	EL296UH070XV36B	8810431
EL16XC1-030-230A	TXV	29,400	16.00	13.00	C35-36B	SL280UH090V36B	8810432
EL16XC1-030-230A	TXV	29,400	16.00	13.00	C35-36B	SLP98UH070XV36B	8810433
EL16XC1-030-230A	TXV	28,800	14.50	12.20	C35-36B		8810434
EL16XC1-030-230A	TXV	29,600	16.00	13.00	C35-48B	EL180UH070E36B	8810435
EL16XC1-030-230A	TXV	29,600	16.00	13.00	C35-48B	EL180UH070XE36B	8810436
EL16XC1-030-230A	TXV	29,600	16.00	13.00	C35-48B	EL180UH090E48B	8810437
EL16XC1-030-230A	TXV	29,600	16.00	13.00	C35-48B	EL180UH090XE48B	8810438
EL16XC1-030-230A	TXV	29,400	16.00	13.00	C35-48B	EL195UH045XE36B	8810439
EL16XC1-030-230A	TXV	29,600	16.00	13.00	C35-48B	EL195UH070XE36B	8810440
EL16XC1-030-230A	TXV	29,400	16.00	13.00	C35-48B	EL296UH045XE36B	8810441
EL16XC1-030-230A	TXV	29,400	15.50	13.00	C35-48B	EL296UH045XV36B	8810442
EL16XC1-030-230A	TXV	29,600	16.00	13.00	C35-48B	EL296UH070XE36B	8810443
EL16XC1-030-230A	TXV	29,400	16.00	13.00	C35-48B	EL296UH070XV36B	8810444
EL16XC1-030-230A	TXV	29,400	16.00	13.00	C35-48B	SL280UH090V36B	8810445
EL16XC1-030-230A	TXV	29,400	16.00	13.00	C35-48B	SLP98UH070XV36B	8810446
EL16XC1-030-230A	TXV	29,000	14.50	12.20	C35-48B		8810447
EL16XC1-030-230A	TXV	29,400	16.00	13.00	C35-48C	EL195UH090XE48C	8810448
EL16XC1-030-230A	TXV	29,400	16.00	13.00	C35-48C	EL296UH090XE48C	8810449
EL16XC1-030-230A	TXV	29,400	16.00	13.00	C35-48C	EL296UH090XV36C	8810450
EL16XC1-030-230A	TXV	29,200	16.00	13.00	C35-48C	EL296UH090XV48C	8810451
EL16XC1-030-230A	TXV	29,400	16.00	13.00	C35-48C	SLP98UH090XV36C	8810452
EL16XC1-030-230A	TXV	29,200	16.00	13.00	C35-48C	SLP98UH090XV48C	8810453
EL16XC1-030-230A	TXV	29,000	14.50	12.20	C35-48C		8810454
EL16XC1-030-230A	TXV	28,400	14.25	12.20	CBX25UH-036		8810455
EL16XC1-030-230A	TXV	28,600	15.10	12.50	CBX25UHV-030		8810456
EL16XC1-030-230A	TXV	28,800	15.50	12.50	CBX25UHV-036		8810457
EL16XC1-030-230A	TXV	29,000	16.00	13.00	CBX27UH-030		8810458
EL16XC1-030-230A	TXV	29,000	16.00	13.00	CBX27UH-036		8810459
EL16XC1-030-230A	TXV	28,400	14.50	12.50	CBX32M-030		8810460
EL16XC1-030-230A	TXV	28,600	14.50	12.50	CBX32M-036		8810461
EL16XC1-030-230A	TXV	28,800	15.50	12.50	CBX32MV-036		8810462
EL16XC1-030-230A	TXV	28,800	15.50	12.50	CBX40UHV-030		8810463
EL16XC1-030-230A	TXV	28,800	15.50	13.00	CBX40UHV-036		8810464
EL16XC1-030-230A	TXV	27,000	14.50	12.50	CH23-31	EL180UH070E36B	8810465
EL16XC1-030-230A	TXV	27,000	14.50	12.50	CH23-31	EL180UH070XE36B	8810466
EL16XC1-030-230A	TXV	27,000	14.50	12.20	CH23-31	EL296UH045XV36B	8810467

NOTES:

TXV = Matched with Thermostatic Expansion Valve.

RFC = Matched with RFC metering device.

AHRI certified to AHRI Standard 210/240 (with 25 ft. of connecting refrigerant lines); 95°F outdoor air temperature, 80°F db / 67°F wb entering evaporator air. All ratings include the use of a blower time delay relay (TDR). All Lennox variable-speed furnaces and Air Handlers have time delay capabilities. Other Furnaces and Air Handlers may require an optional time delay relay (**58M81**) for field installation. See furnace or air handler specifications to determine if relay is needed.

Also see Expansion Valve Kit Usage Table.

AHRI SYSTEM MATCHES - ALL REGIONS - 018-024-030-041-042-047-048-060

NOTE - For the latest up-to-date system matches please visit the AHRI web site at <http://www.ahridirectory.org>

Model No.	Expansion Device	Capacity	SEER	EER	Coil or Air Handler	Furnace	AHRI Reference
EL16XC1-030-230A	TXV	27,000	15.10	12.50	CH23-31	EL296UH070XV36B	8810468
EL16XC1-030-230A	TXV	26,800	15.10	12.50	CH23-31	SL280UH090V36B	8810469
EL16XC1-030-230A	TXV	27,000	15.10	12.50	CH23-31	SLP98UH070XV36B	8810470
EL16XC1-030-230A	TXV	28,600	15.50	12.50	CH23-41	EL180UH045E36A	8810471
EL16XC1-030-230A	TXV	28,600	15.50	12.50	CH23-41	EL180UH045XE36A	8810472
EL16XC1-030-230A	TXV	28,600	15.50	13.00	CH23-41	EL180UH070E36B	8810473
EL16XC1-030-230A	TXV	28,600	15.50	13.00	CH23-41	EL180UH070XE36B	8810474
EL16XC1-030-230A	TXV	28,600	16.00	13.00	CH23-41	EL180UH090E48B	8810475
EL16XC1-030-230A	TXV	28,600	16.00	13.00	CH23-41	EL180UH090XE48B	8810476
EL16XC1-030-230A	TXV	28,600	15.50	12.50	CH23-41	EL195UH045XE36B	8810477
EL16XC1-030-230A	TXV	28,600	15.10	12.50	CH23-41	EL195UH070XE36B	8810478
EL16XC1-030-230A	TXV	28,600	15.50	12.50	CH23-41	EL296UH045XE36B	8810479
EL16XC1-030-230A	TXV	28,400	15.50	12.50	CH23-41	EL296UH045XV36B	8810480
EL16XC1-030-230A	TXV	28,600	15.10	12.50	CH23-41	EL296UH070XE36B	8810481
EL16XC1-030-230A	TXV	28,600	15.50	12.50	CH23-41	EL296UH070XV36B	8810482
EL16XC1-030-230A	TXV	28,800	16.00	13.00	CH23-41	SL280UH090V36B	8810483
EL16XC1-030-230A	TXV	28,600	15.50	12.50	CH23-41	SLP98UH070XV36B	8810484
EL16XC1-030-230A	TXV	27,800	15.10	12.50	CH33-19	EL180UH045E36A	8810485
EL16XC1-030-230A	TXV	27,800	15.10	12.50	CH33-19	EL180UH045XE36A	8810486
EL16XC1-030-230A	TXV	27,800	15.10	12.50	CH33-19	SL280UH070V36A	8810487
EL16XC1-030-230A	TXV	27,800	15.10	12.50	CH33-19	SL280UH070XV36A	8810488
EL16XC1-030-230A	TXV	27,600	14.50	12.50	CH33-24/30	EL180UH045E36A	8810489
EL16XC1-030-230A	TXV	27,600	14.50	12.50	CH33-24/30	EL180UH045XE36A	8810490
EL16XC1-030-230A	TXV	27,800	15.10	12.50	CH33-24/30	SL280UH070V36A	8810491
EL16XC1-030-230A	TXV	27,800	15.10	12.50	CH33-24/30	SL280UH070XV36A	8810492
EL16XC1-030-230A	TXV	28,400	15.50	12.50	CH33-25A	EL180UH045E36A	8810493
EL16XC1-030-230A	TXV	28,400	15.50	12.50	CH33-25A	EL180UH045XE36A	8810494
EL16XC1-030-230A	TXV	28,600	15.50	12.50	CH33-25A	SL280UH070V36A	8810495
EL16XC1-030-230A	TXV	28,600	15.50	12.50	CH33-25A	SL280UH070XV36A	8810496
EL16XC1-030-230A	TXV	28,600	15.50	12.50	CH33-25B	EL180UH070E36B	8810497
EL16XC1-030-230A	TXV	28,600	15.50	12.50	CH33-25B	EL180UH070XE36B	8810498
EL16XC1-030-230A	TXV	28,600	15.50	13.00	CH33-25B	EL180UH090E48B	8810499
EL16XC1-030-230A	TXV	28,600	15.50	13.00	CH33-25B	EL180UH090XE48B	8810500
EL16XC1-030-230A	TXV	28,400	15.10	12.50	CH33-25B	EL195UH045XE36B	8810501
EL16XC1-030-230A	TXV	28,600	15.10	12.50	CH33-25B	EL195UH070XE36B	8810502
EL16XC1-030-230A	TXV	28,400	15.10	12.50	CH33-25B	EL296UH045XE36B	8810503
EL16XC1-030-230A	TXV	28,400	15.10	12.50	CH33-25B	EL296UH045XV36B	8810504
EL16XC1-030-230A	TXV	28,600	15.10	12.50	CH33-25B	EL296UH070XE36B	8810505
EL16XC1-030-230A	TXV	28,400	15.50	12.50	CH33-25B	EL296UH070XV36B	8810506
EL16XC1-030-230A	TXV	28,600	16.00	13.00	CH33-25B	SL280UH090V36B	8810507
EL16XC1-030-230A	TXV	28,400	15.50	12.50	CH33-25B	SLP98UH070XV36B	8810508
EL16XC1-030-230A	TXV	29,000	15.50	12.50	CH33-31A	EL180UH045E36A	8810509
EL16XC1-030-230A	TXV	29,000	15.50	12.50	CH33-31A	EL180UH045XE36A	8810510
EL16XC1-030-230A	TXV	29,000	15.50	13.00	CH33-31A	SL280UH070V36A	8810511
EL16XC1-030-230A	TXV	29,000	15.50	13.00	CH33-31A	SL280UH070XV36A	8810512
EL16XC1-030-230A	TXV	28,600	14.25	12.20	CH33-31A		8810514
EL16XC1-030-230A	TXV	29,400	16.00	13.00	CH33-31B	EL180UH070E36B	8810515
EL16XC1-030-230A	TXV	29,400	16.00	13.00	CH33-31B	EL180UH070XE36B	8810516
EL16XC1-030-230A	TXV	29,400	16.00	13.00	CH33-31B	EL180UH090E48B	8810517

NOTES:

TXV = Matched with Thermostatic Expansion Valve.

RFC = Matched with RFC metering device.

AHRI certified to AHRI Standard 210/240 (with 25 ft. of connecting refrigerant lines); 95°F outdoor air temperature, 80°F db / 67°F wb entering evaporator air.

All ratings include the use of a blower time delay relay (TDR). All Lennox variable-speed furnaces and Air Handlers have time delay capabilities. Other Furnaces and Air Handlers may require an optional time delay relay (**58M81**) for field installation. See furnace or air handler specifications to determine if relay is needed.

Also see Expansion Valve Kit Usage Table.

AHRI SYSTEM MATCHES - ALL REGIONS - 018-024-030-041-042-047-048-060

NOTE - For the latest up-to-date system matches please visit the AHRI web site at <http://www.ahridirectory.org>

Model No.	Expansion Device	Capacity	SEER	EER	Coil or Air Handler	Furnace	AHRI Reference
EL16XC1-030-230A	TXV	29,400	16.00	13.00	CH33-31B	EL180UH090XE48B	8810518
EL16XC1-030-230A	TXV	29,200	15.50	13.00	CH33-31B	EL195UH045XE36B	8810519
EL16XC1-030-230A	TXV	29,400	15.50	13.00	CH33-31B	EL195UH070XE36B	8810520
EL16XC1-030-230A	TXV	29,200	15.50	13.00	CH33-31B	EL296UH045XE36B	8810521
EL16XC1-030-230A	TXV	29,200	15.50	13.00	CH33-31B	EL296UH045XV36B	8810522
EL16XC1-030-230A	TXV	29,400	15.50	13.00	CH33-31B	EL296UH070XE36B	8810523
EL16XC1-030-230A	TXV	29,200	16.00	13.00	CH33-31B	EL296UH070XV36B	8810524
EL16XC1-030-230A	TXV	29,200	16.00	13.00	CH33-31B	SL280UH090V36B	8810525
EL16XC1-030-230A	TXV	29,200	16.00	13.00	CH33-31B	SLP98UH070XV36B	8810526
EL16XC1-030-230A	TXV	28,800	14.50	12.20	CH33-31B		8810528
EL16XC1-030-230A	TXV	28,200	15.10	12.50	CH33-36A	EL180UH045E36A	8810529
EL16XC1-030-230A	TXV	28,200	15.10	12.50	CH33-36A	EL180UH045XE36A	8810530
EL16XC1-030-230A	TXV	28,200	15.10	12.50	CH33-36A	SL280UH070V36A	8810531
EL16XC1-030-230A	TXV	28,200	15.10	12.50	CH33-36A	SL280UH070XV36A	8810532
EL16XC1-030-230A	TXV	28,400	15.50	12.50	CH33-36B	EL180UH070E36B	8810533
EL16XC1-030-230A	TXV	28,400	15.50	12.50	CH33-36B	EL180UH070XE36B	8810534
EL16XC1-030-230A	TXV	28,400	15.50	13.00	CH33-36B	EL180UH090E48B	8810535
EL16XC1-030-230A	TXV	28,400	15.50	13.00	CH33-36B	EL180UH090XE48B	8810536
EL16XC1-030-230A	TXV	28,400	15.10	12.50	CH33-36B	EL195UH045XE36B	8810537
EL16XC1-030-230A	TXV	28,400	15.10	12.50	CH33-36B	EL195UH070XE36B	8810538
EL16XC1-030-230A	TXV	28,400	15.10	12.50	CH33-36B	EL296UH045XE36B	8810539
EL16XC1-030-230A	TXV	28,400	15.10	12.50	CH33-36B	EL296UH045XV36B	8810540
EL16XC1-030-230A	TXV	28,400	15.10	12.50	CH33-36B	EL296UH070XE36B	8810541
EL16XC1-030-230A	TXV	28,400	15.50	12.50	CH33-36B	SL280UH090V36B	8810542
EL16XC1-030-230A	TXV	28,400	15.50	12.50	CH33-36B	SLP98UH070XV36B	8810543
EL16XC1-030-230A	TXV	28,600	16.00	13.00	CH33-36C	EL195UH090XE48C	8810544
EL16XC1-030-230A	TXV	28,600	16.00	13.00	CH33-36C	EL296UH090XE48C	8810545
EL16XC1-030-230A	TXV	28,600	16.00	13.00	CH33-36C	EL296UH090XV36C	8810546
EL16XC1-030-230A	TXV	28,600	16.00	13.00	CH33-36C	SLP98UH090XV36C	8810547
EL16XC1-030-230A	TXV	29,200	16.00	13.00	CH33-42	EL180UH070E36B	8810548
EL16XC1-030-230A	TXV	29,200	16.00	13.00	CH33-42	EL180UH070XE36B	8810549
EL16XC1-030-230A	TXV	29,200	16.00	13.00	CH33-42	EL180UH090E48B	8810550
EL16XC1-030-230A	TXV	29,200	16.00	13.00	CH33-42	EL180UH090XE48B	8810551
EL16XC1-030-230A	TXV	29,000	15.50	12.50	CH33-42	EL195UH045XE36B	8810552
EL16XC1-030-230A	TXV	29,200	15.50	12.50	CH33-42	EL195UH070XE36B	8810553
EL16XC1-030-230A	TXV	29,000	15.50	12.50	CH33-42	EL296UH045XE36B	8810554
EL16XC1-030-230A	TXV	29,000	15.50	12.50	CH33-42	EL296UH045XV36B	8810555
EL16XC1-030-230A	TXV	29,200	15.50	12.50	CH33-42	EL296UH070XE36B	8810556
EL16XC1-030-230A	TXV	29,000	15.50	13.00	CH33-42	EL296UH070XV36B	8810557
EL16XC1-030-230A	TXV	29,000	15.50	13.00	CH33-42	SLP98UH070XV36B	8810558
EL16XC1-030-230A	TXV	29,600	16.00	13.00	CH33-43B	EL180UH070E36B	8810559
EL16XC1-030-230A	TXV	29,600	16.00	13.00	CH33-43B	EL180UH070XE36B	8810560
EL16XC1-030-230A	TXV	29,600	16.00	13.00	CH33-43B	EL180UH090E48B	8810561
EL16XC1-030-230A	TXV	29,600	16.00	13.00	CH33-43B	EL180UH090XE48B	8810562
EL16XC1-030-230A	TXV	29,400	16.00	13.00	CH33-43B	EL195UH045XE36B	8810563
EL16XC1-030-230A	TXV	29,600	16.00	13.00	CH33-43B	EL195UH070XE36B	8810564
EL16XC1-030-230A	TXV	29,400	16.00	13.00	CH33-43B	EL296UH045XE36B	8810565
EL16XC1-030-230A	TXV	29,600	16.00	13.00	CH33-43B	EL296UH045XV36B	8810566
EL16XC1-030-230A	TXV	29,600	16.00	13.00	CH33-43B	EL296UH070XE36B	8810567

NOTES:

TXV = Matched with Thermostatic Expansion Valve.

RFC = Matched with RFC metering device.

AHRI certified to AHRI Standard 210/240 (with 25 ft. of connecting refrigerant lines); 95°F outdoor air temperature, 80°F db / 67°F wb entering evaporator air.

All ratings include the use of a blower time delay relay (TDR). All Lennox variable-speed furnaces and Air Handlers have time delay capabilities. Other Furnaces and Air Handlers may require an optional time delay relay (**58M81**) for field installation. See furnace or air handler specifications to determine if relay is needed.

Also see Expansion Valve Kit Usage Table.

AHRI SYSTEM MATCHES - ALL REGIONS - 018-024-030-041-042-047-048-060

NOTE - For the latest up-to-date system matches please visit the AHRI web site at <http://www.ahridirectory.org>

Model No.	Expansion Device	Capacity	SEER	EER	Coil or Air Handler	Furnace	AHRI Reference
EL16XC1-030-230A	TXV	29,600	16.00	13.00	CH33-43B	EL296UH070XV36B	8810568
EL16XC1-030-230A	TXV	29,600	16.00	13.00	CH33-43B	SL280UH090V36B	8810569
EL16XC1-030-230A	TXV	29,600	16.00	13.00	CH33-43B	SLP98UH070XV36B	8810570
EL16XC1-030-230A	TXV	29,000	14.50	12.20	CH33-43B		8810572
EL16XC1-030-230A	TXV	29,400	16.00	13.00	CH33-43C	EL195UH090XE48C	8810573
EL16XC1-030-230A	TXV	29,400	16.00	13.00	CH33-43C	EL296UH090XE48C	8810574
EL16XC1-030-230A	TXV	29,400	16.00	13.00	CH33-43C	EL296UH090XV36C	8810575
EL16XC1-030-230A	TXV	29,400	16.00	13.00	CH33-43C	SLP98UH090XV36C	8810576
EL16XC1-030-230A	TXV	29,000	14.50	12.20	CH33-43C		8810577
EL16XC1-030-230A	TXV	28,600	15.50	13.00	CH35-24B	EL180UH070E36B	8810578
EL16XC1-030-230A	TXV	29,000	15.50	12.50	CH35-30A	EL180UH045E36A	8810579
EL16XC1-030-230A	TXV	29,000	15.50	12.50	CH35-30A	EL180UH045XE36A	8810580
EL16XC1-030-230A	TXV	29,200	15.50	13.00	CH35-30A	SL280UH070V36A	8810581
EL16XC1-030-230A	TXV	29,200	15.50	13.00	CH35-30A	SL280UH070XV36A	8810582
EL16XC1-030-230A	TXV	28,800	14.50	12.20	CH35-30A		8810583
EL16XC1-030-230A	TXV	29,400	16.00	13.00	CH35-30B	EL180UH070E36B	8810584
EL16XC1-030-230A	TXV	29,400	16.00	13.00	CH35-30B	EL180UH070XE36B	8810585
EL16XC1-030-230A	TXV	29,400	16.00	13.00	CH35-30B	EL180UH090E48B	8810586
EL16XC1-030-230A	TXV	29,400	16.00	13.00	CH35-30B	EL180UH090XE48B	8810587
EL16XC1-030-230A	TXV	29,400	15.50	13.00	CH35-30B	EL195UH045XE36B	8810588
EL16XC1-030-230A	TXV	29,600	15.50	13.00	CH35-30B	EL195UH070XE36B	8810589
EL16XC1-030-230A	TXV	29,400	15.50	13.00	CH35-30B	EL296UH045XE36B	8810590
EL16XC1-030-230A	TXV	29,400	15.50	13.00	CH35-30B	EL296UH045XV36B	8810591
EL16XC1-030-230A	TXV	29,600	15.50	13.00	CH35-30B	EL296UH070XE36B	8810592
EL16XC1-030-230A	TXV	29,400	16.00	13.00	CH35-30B	EL296UH070XV36B	8810593
EL16XC1-030-230A	TXV	29,400	16.00	13.00	CH35-30B	SL280UH090V36B	8810594
EL16XC1-030-230A	TXV	29,400	16.00	13.00	CH35-30B	SLP98UH070XV36B	8810595
EL16XC1-030-230A	TXV	28,800	14.50	12.20	CH35-30B		8810596
EL16XC1-030-230A	TXV	28,200	15.10	12.50	CH35-36A	EL180UH045E36A	8810597
EL16XC1-030-230A	TXV	28,200	15.10	12.50	CH35-36A	EL180UH045XE36A	8810598
EL16XC1-030-230A	TXV	28,400	15.10	12.50	CH35-36A	SL280UH070V36A	8810599
EL16XC1-030-230A	TXV	28,400	15.10	12.50	CH35-36A	SL280UH070XV36A	8810600
EL16XC1-030-230A	TXV	28,600	15.50	13.00	CH35-36B	EL180UH070E36B	8810601
EL16XC1-030-230A	TXV	28,600	15.50	13.00	CH35-36B	EL180UH070XE36B	8810602
EL16XC1-030-230A	TXV	28,600	16.00	13.00	CH35-36B	EL180UH090E48B	8810603
EL16XC1-030-230A	TXV	28,600	16.00	13.00	CH35-36B	EL180UH090XE48B	8810604
EL16XC1-030-230A	TXV	28,400	15.10	12.50	CH35-36B	EL195UH045XE36B	8810605
EL16XC1-030-230A	TXV	28,600	15.10	12.50	CH35-36B	EL195UH070XE36B	8810606
EL16XC1-030-230A	TXV	28,400	15.10	12.50	CH35-36B	EL296UH045XE36B	8810607
EL16XC1-030-230A	TXV	28,400	15.10	12.50	CH35-36B	EL296UH045XV36B	8810608
EL16XC1-030-230A	TXV	28,600	15.10	12.50	CH35-36B	EL296UH070XE36B	8810609
EL16XC1-030-230A	TXV	28,600	15.50	12.50	CH35-36B	EL296UH070XV36B	8810610
EL16XC1-030-230A	TXV	28,600	15.50	12.50	CH35-36B	SLP98UH070XV36B	8810611
EL16XC1-030-230A	TXV	28,600	16.00	13.00	CH35-36C	EL195UH090XE48C	8810612
EL16XC1-030-230A	TXV	28,600	16.00	13.00	CH35-36C	EL296UH090XE48C	8810613
EL16XC1-030-230A	TXV	28,600	16.00	13.00	CH35-36C	EL296UH090XV36C	8810614
EL16XC1-030-230A	TXV	28,600	16.00	13.00	CH35-36C	SLP98UH090XV36C	8810615
EL16XC1-030-230A	TXV	30,000	16.00	13.00	CH35-42B	EL180UH070E36B	8810616
EL16XC1-030-230A	TXV	30,000	16.00	13.00	CH35-42B	EL180UH070XE36B	8810617

NOTES:

TXV = Matched with Thermostatic Expansion Valve.

RFC = Matched with RFC metering device.

AHRI certified to AHRI Standard 210/240 (with 25 ft. of connecting refrigerant lines); 95°F outdoor air temperature, 80°F db / 67°F wb entering evaporator air.

All ratings include the use of a blower time delay relay (TDR). All Lennox variable-speed furnaces and Air Handlers have time delay capabilities. Other Furnaces and Air Handlers may require an optional time delay relay (**58M81**) for field installation. See furnace or air handler specifications to determine if relay is needed.

Also see Expansion Valve Kit Usage Table.

AHRI SYSTEM MATCHES - ALL REGIONS - 018-024-030-041-042-047-048-060

NOTE - For the latest up-to-date system matches please visit the AHRI web site at <http://www.ahridirectory.org>

Model No.	Expansion Device	Capacity	SEER	EER	Coil or Air Handler	Furnace	AHRI Reference
EL16XC1-030-230A	TXV	30,000	16.00	13.00	CH35-42B	EL180UH090E48B	8810618
EL16XC1-030-230A	TXV	30,000	16.00	13.00	CH35-42B	EL180UH090XE48B	8810619
EL16XC1-030-230A	TXV	29,800	16.00	13.00	CH35-42B	EL195UH045XE36B	8810620
EL16XC1-030-230A	TXV	30,000	16.00	13.00	CH35-42B	EL195UH070XE36B	8810621
EL16XC1-030-230A	TXV	29,800	16.00	13.00	CH35-42B	EL296UH045XE36B	8810622
EL16XC1-030-230A	TXV	29,800	16.00	13.00	CH35-42B	EL296UH045XV36B	8810623
EL16XC1-030-230A	TXV	30,000	16.00	13.00	CH35-42B	EL296UH070XE36B	8810624
EL16XC1-030-230A	TXV	29,800	16.00	13.00	CH35-42B	EL296UH070XV36B	8810625
EL16XC1-030-230A	TXV	29,800	16.00	13.00	CH35-42B	SL280UH090V36B	8810626
EL16XC1-030-230A	TXV	29,800	16.00	13.00	CH35-42B	SLP98UH070XV36B	8810627
EL16XC1-030-230A	TXV	29,400	14.50	12.50	CH35-42B		8810628
EL16XC1-030-230A	TXV	29,600	16.00	13.00	CH35-42C	EL195UH090XE48C	8810629
EL16XC1-030-230A	TXV	29,600	16.00	13.00	CH35-42C	EL296UH090XE48C	8810630
EL16XC1-030-230A	TXV	29,400	16.00	13.00	CH35-42C	EL296UH090XV36C	8810631
EL16XC1-030-230A	TXV	29,400	16.00	13.00	CH35-42C	SLP98UH090XV36C	8810632
EL16XC1-030-230A	TXV	29,000	14.50	12.20	CH35-42C		8810633
EL16XC1-030-230A	TXV	27,000	14.50	12.20	CR33-24A	EL180DF045E36A	8810634
EL16XC1-030-230A	TXV	26,800	14.50	12.20	CR33-24B	EL180DF070E36B	8810635
EL16XC1-030-230A	TXV	27,000	14.25	12.20	CR33-24B	EL296DF045XV36B	8810636
EL16XC1-030-230A	TXV	26,800	14.25	12.20	CR33-24B	SL280DF090V48B	8810637
EL16XC1-030-230A	TXV	28,800	15.50	12.50	CR33-30/36A	EL180DF045E36A	8810638
EL16XC1-030-230A	TXV	28,800	15.50	12.50	CR33-30/36A	SL280DF070V36A	8810639
EL16XC1-030-230A	TXV	28,800	16.00	13.00	CR33-30/36B	EL180DF070E36B	8810640
EL16XC1-030-230A	TXV	28,600	16.00	13.00	CR33-30/36B	EL180DF090E48B	8810641
EL16XC1-030-230A	TXV	28,600	15.10	12.50	CR33-30/36B	EL195DF045XE36B	8810642
EL16XC1-030-230A	TXV	28,800	15.50	12.50	CR33-30/36B	EL195DF070XE48B	8810643
EL16XC1-030-230A	TXV	28,600	15.10	12.50	CR33-30/36B	EL296DF045XE36B	8810644
EL16XC1-030-230A	TXV	28,800	15.50	12.50	CR33-30/36B	EL296DF045XV36B	8810645
EL16XC1-030-230A	TXV	28,800	15.50	12.50	CR33-30/36B	EL296DF070XE48B	8810646
EL16XC1-030-230A	TXV	28,600	15.50	12.50	CR33-30/36B	EL296DF070XV48B	8810647
EL16XC1-030-230A	TXV	28,400	15.50	12.50	CR33-30/36B	SL280DF090V48B	8810648
EL16XC1-030-230A	TXV	28,600	15.50	12.50	CR33-30/36B	SLP98DF070XV36B	8810649
EL16XC1-030-230A	TXV	28,800	16.00	13.00	CR33-30/36C	SLP98DF090XV36C	8810650
EL16XC1-030-230A	TXV	28,400	15.50	12.50	CX34-25A	EL180UH045E36A	8810651
EL16XC1-030-230A	TXV	28,400	15.50	12.50	CX34-25A	EL180UH045XE36A	8810652
EL16XC1-030-230A	TXV	28,400	15.50	12.50	CX34-25A	SL280UH070V36A	8810653
EL16XC1-030-230A	TXV	28,400	15.50	12.50	CX34-25A	SL280UH070XV36A	8810654
EL16XC1-030-230A	TXV	28,600	15.50	12.50	CX34-25B	EL180UH070E36B	8810655
EL16XC1-030-230A	TXV	28,600	15.50	12.50	CX34-25B	EL180UH070XE36B	8810656
EL16XC1-030-230A	TXV	28,600	15.50	13.00	CX34-25B	EL180UH090E48B	8810657
EL16XC1-030-230A	TXV	28,600	15.50	13.00	CX34-25B	EL180UH090XE48B	8810658
EL16XC1-030-230A	TXV	28,400	15.10	12.50	CX34-25B	EL195UH045XE36B	8810659
EL16XC1-030-230A	TXV	28,600	15.10	12.50	CX34-25B	EL195UH070XE36B	8810660
EL16XC1-030-230A	TXV	28,400	15.10	12.50	CX34-25B	EL296UH045XE36B	8810661
EL16XC1-030-230A	TXV	28,600	15.50	12.50	CX34-25B	EL296UH045XV36B	8810662
EL16XC1-030-230A	TXV	28,600	15.10	12.50	CX34-25B	EL296UH070XE36B	8810663
EL16XC1-030-230A	TXV	28,600	15.50	12.50	CX34-25B	EL296UH070XV36B	8810664
EL16XC1-030-230A	TXV	28,600	16.00	13.00	CX34-25B	SL280UH090V36B	8810665
EL16XC1-030-230A	TXV	28,600	15.50	12.50	CX34-25B	SLP98UH070XV36B	8810666

NOTES:

TXV = Matched with Thermostatic Expansion Valve.

RFC = Matched with RFC metering device.

AHRI certified to AHRI Standard 210/240 (with 25 ft. of connecting refrigerant lines); 95°F outdoor air temperature, 80°F db / 67°F wb entering evaporator air.

All ratings include the use of a blower time delay relay (TDR). All Lennox variable-speed furnaces and Air Handlers have time delay capabilities. Other Furnaces and Air Handlers may require an optional time delay relay (**58M81**) for field installation. See furnace or air handler specifications to determine if relay is needed.

Also see Expansion Valve Kit Usage Table.

AHRI SYSTEM MATCHES - ALL REGIONS - 018-024-030-041-042-047-048-060

NOTE - For the latest up-to-date system matches please visit the AHRI web site at <http://www.ahridirectory.org>

Model No.	Expansion Device	Capacity	SEER	EER	Coil or Air Handler	Furnace	AHRI Reference
EL16XC1-030-230A	TXV	27,600	14.50	12.50	CX34-30A	EL180UH045E36A	8810667
EL16XC1-030-230A	TXV	27,600	14.50	12.50	CX34-30A	EL180UH045XE36A	8810668
EL16XC1-030-230A	TXV	27,600	14.50	12.50	CX34-30A	SL280UH070V36A	8810669
EL16XC1-030-230A	TXV	27,600	14.50	12.50	CX34-30A	SL280UH070XV36A	8810670
EL16XC1-030-230A	TXV	27,600	15.10	12.50	CX34-30B	EL180UH070E36B	8810671
EL16XC1-030-230A	TXV	27,600	15.10	12.50	CX34-30B	EL180UH070XE36B	8810672
EL16XC1-030-230A	TXV	27,600	15.10	12.50	CX34-30B	EL180UH090E48B	8810673
EL16XC1-030-230A	TXV	27,600	15.10	12.50	CX34-30B	EL180UH090XE48B	8810674
EL16XC1-030-230A	TXV	27,400	14.50	12.20	CX34-30B	EL195UH045XE36B	8810675
EL16XC1-030-230A	TXV	27,600	14.50	12.20	CX34-30B	EL195UH070XE36B	8810676
EL16XC1-030-230A	TXV	27,400	14.50	12.20	CX34-30B	EL296UH045XE36B	8810677
EL16XC1-030-230A	TXV	27,600	14.50	12.50	CX34-30B	EL296UH045XV36B	8810678
EL16XC1-030-230A	TXV	27,600	14.50	12.20	CX34-30B	EL296UH070XE36B	8810679
EL16XC1-030-230A	TXV	27,600	14.50	12.50	CX34-30B	EL296UH070XV36B	8810680
EL16XC1-030-230A	TXV	27,800	15.10	12.50	CX34-30B	SL280UH090V36B	8810681
EL16XC1-030-230A	TXV	27,600	14.50	12.50	CX34-30B	SLP98UH070XV36B	8810682
EL16XC1-030-230A	TXV	27,600	15.10	12.50	CX34-30C	SLP98UH090XV36C	8810683
EL16XC1-030-230A	TXV	29,000	15.50	12.50	CX34-31A	EL180UH045E36A	8810684
EL16XC1-030-230A	TXV	29,000	15.50	12.50	CX34-31A	EL180UH045XE36A	8810685
EL16XC1-030-230A	TXV	29,000	16.00	13.00	CX34-31A	SL280UH070V36A	8810686
EL16XC1-030-230A	TXV	29,000	16.00	13.00	CX34-31A	SL280UH070XV36A	8810687
EL16XC1-030-230A	TXV	28,600	14.25	12.20	CX34-31A		8810688
EL16XC1-030-230A	TXV	29,200	16.00	13.00	CX34-31B	EL180UH070E36B	8810689
EL16XC1-030-230A	TXV	29,200	16.00	13.00	CX34-31B	EL180UH070XE36B	8810690
EL16XC1-030-230A	TXV	29,200	16.00	13.00	CX34-31B	EL180UH090E48B	8810691
EL16XC1-030-230A	TXV	29,200	16.00	13.00	CX34-31B	EL180UH090XE48B	8810692
EL16XC1-030-230A	TXV	29,000	15.50	12.50	CX34-31B	EL195UH045XE36B	8810693
EL16XC1-030-230A	TXV	29,200	15.50	12.50	CX34-31B	EL195UH070XE36B	8810694
EL16XC1-030-230A	TXV	29,000	15.50	12.50	CX34-31B	EL296UH045XE36B	8810695
EL16XC1-030-230A	TXV	29,000	15.50	12.50	CX34-31B	EL296UH045XV36B	8810696
EL16XC1-030-230A	TXV	29,200	15.50	12.50	CX34-31B	EL296UH070XE36B	8810697
EL16XC1-030-230A	TXV	29,000	16.00	13.00	CX34-31B	EL296UH070XV36B	8810698
EL16XC1-030-230A	TXV	29,000	16.00	13.00	CX34-31B	SL280UH090V36B	8810699
EL16XC1-030-230A	TXV	29,000	16.00	13.00	CX34-31B	SLP98UH070XV36B	8810700
EL16XC1-030-230A	TXV	28,600	14.25	12.20	CX34-31B		8810701
EL16XC1-030-230A	TXV	28,400	15.10	12.50	CX34-36A	EL180UH045E36A	8810702
EL16XC1-030-230A	TXV	28,400	15.10	12.50	CX34-36A	EL180UH045XE36A	8810703
EL16XC1-030-230A	TXV	28,400	15.50	12.50	CX34-36A	SL280UH070V36A	8810704
EL16XC1-030-230A	TXV	28,400	15.50	12.50	CX34-36A	SL280UH070XV36A	8810705
EL16XC1-030-230A	TXV	28,600	15.50	12.50	CX34-36B	EL180UH070E36B	8810706
EL16XC1-030-230A	TXV	28,600	15.50	12.50	CX34-36B	EL180UH070XE36B	8810707
EL16XC1-030-230A	TXV	28,600	15.50	13.00	CX34-36B	EL180UH090E48B	8810708
EL16XC1-030-230A	TXV	28,600	15.50	13.00	CX34-36B	EL180UH090XE48B	8810709
EL16XC1-030-230A	TXV	28,400	15.10	12.50	CX34-36B	EL195UH045XE36B	8810710
EL16XC1-030-230A	TXV	28,400	15.10	12.50	CX34-36B	EL195UH070XE36B	8810711
EL16XC1-030-230A	TXV	28,400	15.10	12.50	CX34-36B	EL296UH045XE36B	8810712
EL16XC1-030-230A	TXV	28,400	15.10	12.50	CX34-36B	EL296UH045XV36B	8810713
EL16XC1-030-230A	TXV	28,400	15.10	12.50	CX34-36B	EL296UH070XE36B	8810714
EL16XC1-030-230A	TXV	28,400	15.50	12.50	CX34-36B	EL296UH070XV36B	8810715

NOTES:

TXV = Matched with Thermostatic Expansion Valve.

RFC = Matched with RFC metering device.

AHRI certified to AHRI Standard 210/240 (with 25 ft. of connecting refrigerant lines); 95°F outdoor air temperature, 80°F db / 67°F wb entering evaporator air.

All ratings include the use of a blower time delay relay (TDR). All Lennox variable-speed furnaces and Air Handlers have time delay capabilities. Other Furnaces and Air Handlers may require an optional time delay relay (**58M81**) for field installation. See furnace or air handler specifications to determine if relay is needed.

Also see Expansion Valve Kit Usage Table.

AHRI SYSTEM MATCHES - ALL REGIONS - 018-024-030-041-042-047-048-060

NOTE - For the latest up-to-date system matches please visit the AHRI web site at <http://www.ahridirectory.org>

Model No.	Expansion Device	Capacity	SEER	EER	Coil or Air Handler	Furnace	AHRI Reference
EL16XC1-030-230A	TXV	28,400	15.50	12.50	CX34-36B	SL280UH090V36B	8810716
EL16XC1-030-230A	TXV	28,400	15.50	12.50	CX34-36B	SLP98UH070XV36B	8810717
EL16XC1-030-230A	TXV	28,200	15.50	12.50	CX34-36C	EL195UH090XE48C	8810718
EL16XC1-030-230A	TXV	28,200	15.50	12.50	CX34-36C	EL296UH090XE48C	8810719
EL16XC1-030-230A	TXV	28,400	15.50	12.50	CX34-36C	EL296UH090XV36C	8810720
EL16XC1-030-230A	TXV	28,400	15.50	12.50	CX34-36C	SLP98UH090XV36C	8810721
EL16XC1-030-230A	TXV	29,200	16.00	13.00	CX34-38A	EL180UH045E36A	8810722
EL16XC1-030-230A	TXV	29,200	16.00	13.00	CX34-38A	EL180UH045XE36A	8810723
EL16XC1-030-230A	TXV	29,200	16.00	13.00	CX34-38A	SL280UH070V36A	8810724
EL16XC1-030-230A	TXV	29,200	16.00	13.00	CX34-38A	SL280UH070XV36A	8810725
EL16XC1-030-230A	TXV	28,800	14.50	12.20	CX34-38A		8810726
EL16XC1-030-230A	TXV	29,400	16.00	13.00	CX34-38B	EL180UH070E36B	8810727
EL16XC1-030-230A	TXV	29,400	16.00	13.00	CX34-38B	EL180UH070XE36B	8810728
EL16XC1-030-230A	TXV	29,400	16.00	13.00	CX34-38B	EL180UH090E48B	8810729
EL16XC1-030-230A	TXV	29,400	16.00	13.00	CX34-38B	EL180UH090XE48B	8810730
EL16XC1-030-230A	TXV	29,200	15.50	13.00	CX34-38B	EL195UH045XE36B	8810731
EL16XC1-030-230A	TXV	29,400	15.50	13.00	CX34-38B	EL195UH070XE36B	8810732
EL16XC1-030-230A	TXV	29,200	15.50	13.00	CX34-38B	EL296UH045XE36B	8810733
EL16XC1-030-230A	TXV	29,400	15.50	13.00	CX34-38B	EL296UH045XV36B	8810734
EL16XC1-030-230A	TXV	29,400	15.50	13.00	CX34-38B	EL296UH070XE36B	9965379
EL16XC1-030-230A	TXV	29,400	16.00	13.00	CX34-38B	EL296UH070XV36B	8810736
EL16XC1-030-230A	TXV	29,400	16.00	13.00	CX34-38B	SL280UH090V36B	8810737
EL16XC1-030-230A	TXV	29,400	16.00	13.00	CX34-38B	SLP98UH070XV36B	8810738
EL16XC1-030-230A	TXV	28,800	14.50	12.20	CX34-38B		8810739
EL16XC1-030-230A	TXV	28,600	15.50	12.50	CX34-42	EL180UH070E36B	8810740
EL16XC1-030-230A	TXV	28,600	15.50	12.50	CX34-42	EL180UH070XE36B	8810741
EL16XC1-030-230A	TXV	28,600	15.50	13.00	CX34-42	EL180UH090E48B	8810742
EL16XC1-030-230A	TXV	28,600	15.50	13.00	CX34-42	EL180UH090XE48B	8810743
EL16XC1-030-230A	TXV	28,400	15.10	12.50	CX34-42	EL195UH045XE36B	8810744
EL16XC1-030-230A	TXV	28,400	15.10	12.50	CX34-42	EL195UH070XE36B	8810745
EL16XC1-030-230A	TXV	28,400	15.10	12.50	CX34-42	EL296UH045XE36B	8810746
EL16XC1-030-230A	TXV	28,400	15.10	12.50	CX34-42	EL296UH045XV36B	8810747
EL16XC1-030-230A	TXV	28,400	15.10	12.50	CX34-42	EL296UH070XE36B	8810748
EL16XC1-030-230A	TXV	28,400	15.50	12.50	CX34-42	EL296UH070XV36B	8810749
EL16XC1-030-230A	TXV	28,400	15.50	12.50	CX34-42	SL280UH090V36B	8810750
EL16XC1-030-230A	TXV	28,400	15.50	12.50	CX34-42	SLP98UH070XV36B	8810751
EL16XC1-030-230A	TXV	29,600	16.00	13.00	CX34-43B	EL180UH070E36B	8810752
EL16XC1-030-230A	TXV	29,600	16.00	13.00	CX34-43B	EL180UH070XE36B	8810753
EL16XC1-030-230A	TXV	29,600	16.00	13.00	CX34-43B	EL180UH090E48B	8810754
EL16XC1-030-230A	TXV	29,600	16.00	13.00	CX34-43B	EL180UH090XE48B	8810755
EL16XC1-030-230A	TXV	29,400	16.00	13.00	CX34-43B	EL195UH045XE36B	8810756
EL16XC1-030-230A	TXV	29,600	16.00	13.00	CX34-43B	EL195UH070XE36B	8810757
EL16XC1-030-230A	TXV	29,400	16.00	13.00	CX34-43B	EL296UH045XE36B	8810758
EL16XC1-030-230A	TXV	29,400	15.50	13.00	CX34-43B	EL296UH045XV36B	8810759
EL16XC1-030-230A	TXV	29,600	16.00	13.00	CX34-43B	EL296UH070XE36B	8810760
EL16XC1-030-230A	TXV	29,400	16.00	13.00	CX34-43B	EL296UH070XV36B	8810761
EL16XC1-030-230A	TXV	29,400	16.00	13.00	CX34-43B	SL280UH090V36B	8810762
EL16XC1-030-230A	TXV	29,400	16.00	13.00	CX34-43B	SLP98UH070XV36B	8810763
EL16XC1-030-230A	TXV	28,800	14.50	12.20	CX34-43B		8810764

NOTES:

TXV = Matched with Thermostatic Expansion Valve.

RFC = Matched with RFC metering device.

AHRI certified to AHRI Standard 210/240 (with 25 ft. of connecting refrigerant lines); 95°F outdoor air temperature, 80°F db / 67°F wb entering evaporator air. All ratings include the use of a blower time delay relay (TDR). All Lennox variable-speed furnaces and Air Handlers have time delay capabilities. Other Furnaces and Air Handlers may require an optional time delay relay (**58M81**) for field installation. See furnace or air handler specifications to determine if relay is needed.

Also see Expansion Valve Kit Usage Table.

AHRI SYSTEM MATCHES - ALL REGIONS - 018-024-030-041-042-047-048-060

NOTE - For the latest up-to-date system matches please visit the AHRI web site at <http://www.ahridirectory.org>

Model No.	Expansion Device	Capacity	SEER	EER	Coil or Air Handler	Furnace	AHRI Reference
EL16XC1-030-230A	TXV	29,400	16.00	13.00	CX34-43C	EL195UH090XE48C	8810765
EL16XC1-030-230A	TXV	29,400	16.00	13.00	CX34-43C	EL296UH090XE48C	8810766
EL16XC1-030-230A	TXV	29,400	16.00	13.00	CX34-43C	EL296UH090XV36C	8810767
EL16XC1-030-230A	TXV	29,200	16.00	13.00	CX34-43C	EL296UH090XV48C	8810768
EL16XC1-030-230A	TXV	29,400	16.00	13.00	CX34-43C	SLP98UH090XV36C	8810769
EL16XC1-030-230A	TXV	29,200	16.00	13.00	CX34-43C	SLP98UH090XV48C	8810770
EL16XC1-030-230A	TXV	28,800	14.50	12.20	CX34-43C		8810771
EL16XC1-030-230A	TXV	28,600	15.50	12.50	CX35-24A	EL180UH045E36A	8810772
EL16XC1-030-230A	TXV	28,600	15.50	12.50	CX35-24A	EL180UH045XE36A	8810773
EL16XC1-030-230A	TXV	28,600	15.50	12.50	CX35-24A	SL280UH070V36A	8810774
EL16XC1-030-230A	TXV	28,600	15.50	12.50	CX35-24A	SL280UH070XV36A	8810775
EL16XC1-030-230A	TXV	28,600	15.50	13.00	CX35-24B	EL180UH070E36B	8810776
EL16XC1-030-230A	TXV	28,600	15.50	13.00	CX35-24B	EL180UH070XE36B	8810777
EL16XC1-030-230A	TXV	28,600	15.50	13.00	CX35-24B	EL180UH090E48B	8810778
EL16XC1-030-230A	TXV	28,600	15.50	13.00	CX35-24B	EL180UH090XE48B	8810779
EL16XC1-030-230A	TXV	28,600	15.10	12.50	CX35-24B	EL195UH045XE36B	8810780
EL16XC1-030-230A	TXV	28,800	15.10	12.50	CX35-24B	EL195UH070XE36B	8810781
EL16XC1-030-230A	TXV	28,600	15.10	12.50	CX35-24B	EL296UH045XE36B	8810782
EL16XC1-030-230A	TXV	28,600	15.50	12.50	CX35-24B	EL296UH045XV36B	8810783
EL16XC1-030-230A	TXV	28,800	15.10	12.50	CX35-24B	EL296UH070XE36B	8810784
EL16XC1-030-230A	TXV	28,600	15.50	12.50	CX35-24B	EL296UH070XV36B	8810785
EL16XC1-030-230A	TXV	28,600	16.00	13.00	CX35-24B	SL280UH090V36B	8810786
EL16XC1-030-230A	TXV	28,600	15.50	12.50	CX35-24B	SLP98UH070XV36B	8810787
EL16XC1-030-230A	TXV	28,600	15.50	12.50	CX35-30/36A	EL180UH045E36A	8810788
EL16XC1-030-230A	TXV	28,600	15.50	12.50	CX35-30/36A	EL180UH045XE36A	8810789
EL16XC1-030-230A	TXV	28,400	15.50	12.50	CX35-30/36A	SL280UH070V36A	8810790
EL16XC1-030-230A	TXV	28,400	15.50	12.50	CX35-30/36A	SL280UH070XV36A	8810791
EL16XC1-030-230A	TXV	28,600	15.50	13.00	CX35-30/36B	EL180UH070E36B	8810792
EL16XC1-030-230A	TXV	28,600	15.50	13.00	CX35-30/36B	EL180UH070XE36B	8810793
EL16XC1-030-230A	TXV	28,600	16.00	13.00	CX35-30/36B	EL180UH090E48B	8810794
EL16XC1-030-230A	TXV	28,600	16.00	13.00	CX35-30/36B	EL180UH090XE48B	8810795
EL16XC1-030-230A	TXV	28,600	15.10	12.50	CX35-30/36B	EL195UH045XE36B	8810796
EL16XC1-030-230A	TXV	28,600	15.10	12.50	CX35-30/36B	EL195UH070XE36B	8810797
EL16XC1-030-230A	TXV	28,600	15.10	12.50	CX35-30/36B	EL296UH045XE36B	8810798
EL16XC1-030-230A	TXV	28,600	15.10	12.50	CX35-30/36B	EL296UH045XV36B	8810799
EL16XC1-030-230A	TXV	28,600	15.10	12.50	CX35-30/36B	EL296UH070XE36B	8810800
EL16XC1-030-230A	TXV	28,600	15.50	12.50	CX35-30/36B	EL296UH070XV36B	8810801
EL16XC1-030-230A	TXV	28,600	15.50	13.00	CX35-30/36B	SL280UH090V36B	8810802
EL16XC1-030-230A	TXV	28,600	15.50	12.50	CX35-30/36B	SLP98UH070XV36B	8810803
EL16XC1-030-230A	TXV	28,400	15.50	12.50	CX35-30/36C	EL195UH090XE48C	8810804
EL16XC1-030-230A	TXV	28,400	15.50	12.50	CX35-30/36C	EL296UH090XE48C	8810805
EL16XC1-030-230A	TXV	28,400	15.50	13.00	CX35-30/36C	EL296UH090XV36C	8810806
EL16XC1-030-230A	TXV	28,400	15.50	13.00	CX35-30/36C	SLP98UH090XV36C	8810807
EL16XC1-030-230A	TXV	29,200	15.50	13.00	CX35-30A	EL180UH045E36A	8810808
EL16XC1-030-230A	TXV	29,200	15.50	13.00	CX35-30A	EL180UH045XE36A	8810809
EL16XC1-030-230A	TXV	29,200	16.00	13.00	CX35-30A	SL280UH070V36A	8810810
EL16XC1-030-230A	TXV	29,200	16.00	13.00	CX35-30A	SL280UH070XV36A	8810811
EL16XC1-030-230A	TXV	28,600	14.25	12.20	CX35-30A		8810812
EL16XC1-030-230A	TXV	29,200	16.00	13.00	CX35-30B	EL180UH070E36B	8810813

NOTES:

TXV = Matched with Thermostatic Expansion Valve.

RFC = Matched with RFC metering device.

AHRI certified to AHRI Standard 210/240 (with 25 ft. of connecting refrigerant lines); 95°F outdoor air temperature, 80°F db / 67°F wb entering evaporator air.

All ratings include the use of a blower time delay relay (TDR). All Lennox variable-speed furnaces and Air Handlers have time delay capabilities. Other Furnaces and Air Handlers may require an optional time delay relay (**58M81**) for field installation. See furnace or air handler specifications to determine if relay is needed.

Also see Expansion Valve Kit Usage Table.

AHRI SYSTEM MATCHES - ALL REGIONS - 018-024-030-041-042-047-048-060

NOTE - For the latest up-to-date system matches please visit the AHRI web site at <http://www.ahridirectory.org>

Model No.	Expansion Device	Capacity	SEER	EER	Coil or Air Handler	Furnace	AHRI Reference
EL16XC1-030-230A	TXV	29,200	16.00	13.00	CX35-30B	EL180UH070XE36B	8810814
EL16XC1-030-230A	TXV	29,200	16.00	13.00	CX35-30B	EL180UH090E48B	8810815
EL16XC1-030-230A	TXV	29,200	16.00	13.00	CX35-30B	EL180UH090XE48B	8810816
EL16XC1-030-230A	TXV	29,200	15.50	12.50	CX35-30B	EL195UH045XE36B	8810817
EL16XC1-030-230A	TXV	29,400	15.50	12.50	CX35-30B	EL195UH070XE36B	8810818
EL16XC1-030-230A	TXV	29,200	15.50	12.50	CX35-30B	EL296UH045XE36B	8810819
EL16XC1-030-230A	TXV	29,200	15.50	12.50	CX35-30B	EL296UH045XV36B	8810820
EL16XC1-030-230A	TXV	29,400	15.50	12.50	CX35-30B	EL296UH070XE36B	8810821
EL16XC1-030-230A	TXV	29,200	16.00	13.00	CX35-30B	EL296UH070XV36B	8810822
EL16XC1-030-230A	TXV	29,200	16.00	13.00	CX35-30B	SL280UH090V36B	8810823
EL16XC1-030-230A	TXV	29,200	16.00	13.00	CX35-30B	SLP98UH070XV36B	8810824
EL16XC1-030-230A	TXV	28,600	14.25	12.20	CX35-30B		8810825
EL16XC1-030-230A	TXV	29,400	16.00	13.00	CX35-36A	EL180UH045E36A	8810826
EL16XC1-030-230A	TXV	29,400	16.00	13.00	CX35-36A	EL180UH045XE36A	8810827
EL16XC1-030-230A	TXV	29,400	16.00	13.00	CX35-36A	SL280UH070V36A	8810828
EL16XC1-030-230A	TXV	29,400	16.00	13.00	CX35-36A	SL280UH070XV36A	8810829
EL16XC1-030-230A	TXV	28,800	14.50	12.20	CX35-36A		8810830
EL16XC1-030-230A	TXV	29,600	16.00	13.00	CX35-36B	EL180UH070E36B	8810831
EL16XC1-030-230A	TXV	29,600	16.00	13.00	CX35-36B	EL180UH070XE36B	8810832
EL16XC1-030-230A	TXV	29,600	16.00	13.00	CX35-36B	EL180UH090E48B	8810833
EL16XC1-030-230A	TXV	29,600	16.00	13.00	CX35-36B	EL180UH090XE48B	8810834
EL16XC1-030-230A	TXV	29,400	15.50	13.00	CX35-36B	EL195UH045XE36B	8810835
EL16XC1-030-230A	TXV	29,600	16.00	13.00	CX35-36B	EL195UH070XE36B	8810836
EL16XC1-030-230A	TXV	29,400	15.50	13.00	CX35-36B	EL296UH045XE36B	8810837
EL16XC1-030-230A	TXV	29,400	15.50	13.00	CX35-36B	EL296UH045XV36B	8810838
EL16XC1-030-230A	TXV	29,600	16.00	13.00	CX35-36B	EL296UH070XE36B	8810839
EL16XC1-030-230A	TXV	29,400	16.00	13.00	CX35-36B	EL296UH070XV36B	8810840
EL16XC1-030-230A	TXV	29,400	16.00	13.00	CX35-36B	SL280UH090V36B	8810841
EL16XC1-030-230A	TXV	29,400	16.00	13.00	CX35-36B	SLP98UH070XV36B	8810842
EL16XC1-030-230A	TXV	28,800	14.50	12.20	CX35-36B		8810843
EL16XC1-030-230A	TXV	29,600	16.00	13.00	CX35-48B	EL180UH070E36B	8810844
EL16XC1-030-230A	TXV	29,600	16.00	13.00	CX35-48B	EL180UH070XE36B	8810845
EL16XC1-030-230A	TXV	29,600	16.00	13.00	CX35-48B	EL180UH090E48B	8810846
EL16XC1-030-230A	TXV	29,600	16.00	13.00	CX35-48B	EL180UH090XE48B	8810847
EL16XC1-030-230A	TXV	29,400	16.00	13.00	CX35-48B	EL195UH045XE36B	8810848
EL16XC1-030-230A	TXV	29,600	16.00	13.00	CX35-48B	EL195UH070XE36B	8810849
EL16XC1-030-230A	TXV	29,400	16.00	13.00	CX35-48B	EL296UH045XE36B	8810850
EL16XC1-030-230A	TXV	29,400	15.50	13.00	CX35-48B	EL296UH045XV36B	8810851
EL16XC1-030-230A	TXV	29,600	16.00	13.00	CX35-48B	EL296UH070XE36B	8810852
EL16XC1-030-230A	TXV	29,400	16.00	13.00	CX35-48B	EL296UH070XV36B	8810853
EL16XC1-030-230A	TXV	29,400	16.00	13.00	CX35-48B	SL280UH090V36B	8810854
EL16XC1-030-230A	TXV	29,400	16.00	13.00	CX35-48B	SLP98UH070XV36B	8810855
EL16XC1-030-230A	TXV	29,000	14.50	12.20	CX35-48B		8810856
EL16XC1-030-230A	TXV	29,400	16.00	13.00	CX35-48C	EL195UH090XE48C	8810857
EL16XC1-030-230A	TXV	29,400	16.00	13.00	CX35-48C	EL296UH090XE48C	8810858
EL16XC1-030-230A	TXV	29,400	16.00	13.00	CX35-48C	EL296UH090XV36C	8810859
EL16XC1-030-230A	TXV	29,200	16.00	13.00	CX35-48C	EL296UH090XV48C	8810860
EL16XC1-030-230A	TXV	29,400	16.00	13.00	CX35-48C	SLP98UH090XV36C	8810861
EL16XC1-030-230A	TXV	29,200	16.00	13.00	CX35-48C	SLP98UH090XV48C	8810862

NOTES:

TXV = Matched with Thermostatic Expansion Valve.

RFC = Matched with RFC metering device.

AHRI certified to AHRI Standard 210/240 (with 25 ft. of connecting refrigerant lines); 95°F outdoor air temperature, 80°F db / 67°F wb entering evaporator air.

All ratings include the use of a blower time delay relay (TDR). All Lennox variable-speed furnaces and Air Handlers have time delay capabilities. Other Furnaces and Air Handlers may require an optional time delay relay (**58M81**) for field installation. See furnace or air handler specifications to determine if relay is needed.

Also see Expansion Valve Kit Usage Table.

AHRI SYSTEM MATCHES - ALL REGIONS - 018-024-030-041-042-047-048-060

NOTE - For the latest up-to-date system matches please visit the AHRI web site at <http://www.ahridirectory.org>

Model No.	Expansion Device	Capacity	SEER	EER	Coil or Air Handler	Furnace	AHRI Reference
EL16XC1-030-230A	TXV	29,000	14.50	12.20	CX35-48C		8810863
EL16XC1-041-230A	TXV	37,800	16.85	13.00	C33-38	EL180UH090E48B	8898147
EL16XC1-041-230A	TXV	37,800	16.85	13.00	C33-38	EL180UH090XE48B	8898148
EL16XC1-041-230A	TXV	38,000	17.05	13.00	C33-43	EL180UH090E48B	8898201
EL16XC1-041-230A	TXV	38,500	17.45	13.50	C33-43	EL180UH090E60C	8898203
EL16XC1-041-230A	TXV	38,000	17.05	13.00	C33-43	EL180UH090XE48B	8898202
EL16XC1-041-230A	TXV	38,000	17.40	13.00	C33-43	EL180UH110E60C	8898204
EL16XC1-041-230A	TXV	38,000	17.40	13.00	C33-43	EL180UH110XE60C	8898205
EL16XC1-041-230A	TXV	38,000	17.10	13.00	C33-43	EL195UH090XE48C	8898206
EL16XC1-041-230A	TXV	37,600	17.50	13.50	C33-43	EL195UH110XE60C	8898207
EL16XC1-041-230A	TXV	38,000	17.10	13.00	C33-43	EL296UH090XE48C	8898208
EL16XC1-041-230A	TXV	37,600	17.50	13.50	C33-43	EL296UH110XE60C	8898209
EL16XC1-041-230A	TXV	38,500	17.40	13.50	C33-43	SL280UH090V60C	8898210
EL16XC1-041-230A	TXV	38,500	17.40	13.50	C33-43	SL280UH090XV60C	8898211
EL16XC1-041-230A	TXV	38,000	17.05	13.00	C33-43	SL280UH110V60C	8898212
EL16XC1-041-230A	TXV	38,000	17.05	13.00	C33-43	SL280UH110XV60C	8898213
EL16XC1-041-230A	TXV	37,600	15.65	12.50	C33-43		8898200
EL16XC1-041-230A	TXV	37,400	16.70	13.00	C33-48	EL180UH090E48B	8898149
EL16XC1-041-230A	TXV	37,400	17.05	13.00	C33-48	EL180UH090E60C	8898214
EL16XC1-041-230A	TXV	37,400	16.70	13.00	C33-48	EL180UH090XE48B	8898150
EL16XC1-041-230A	TXV	37,400	17.00	13.00	C33-48	EL180UH110E60C	8898151
EL16XC1-041-230A	TXV	37,400	17.00	13.00	C33-48	EL180UH110XE60C	8898152
EL16XC1-041-230A	TXV	37,200	16.80	13.00	C33-48	EL195UH090XE48C	8898215
EL16XC1-041-230A	TXV	36,800	17.15	13.00	C33-48	EL195UH110XE60C	8898216
EL16XC1-041-230A	TXV	37,200	16.80	13.00	C33-48	EL296UH090XE48C	8898217
EL16XC1-041-230A	TXV	36,800	17.15	13.00	C33-48	EL296UH110XE60C	8898218
EL16XC1-041-230A	TXV	39,000	17.60	13.50	C33-49	EL180UH090E60C	8898220
EL16XC1-041-230A	TXV	38,500	17.55	13.50	C33-49	EL180UH110E60C	8898221
EL16XC1-041-230A	TXV	38,500	17.55	13.50	C33-49	EL180UH110XE60C	8898222
EL16XC1-041-230A	TXV	38,500	17.30	13.50	C33-49	EL195UH090XE48C	8898223
EL16XC1-041-230A	TXV	38,000	17.60	13.50	C33-49	EL195UH110XE60C	8898224
EL16XC1-041-230A	TXV	38,500	17.30	13.50	C33-49	EL296UH090XE48C	8898225
EL16XC1-041-230A	TXV	38,000	17.60	13.50	C33-49	EL296UH110XE60C	8898226
EL16XC1-041-230A	TXV	38,000	15.80	12.50	C33-49		8898219
EL16XC1-041-230A	TXV	37,800	17.15	13.00	C33-50/60C	EL180UH090E60C	8898227
EL16XC1-041-230A	TXV	37,800	17.15	13.00	C33-50/60C	EL180UH110E60C	8898228
EL16XC1-041-230A	TXV	37,800	17.15	13.00	C33-50/60C	EL180UH110XE60C	8898229
EL16XC1-041-230A	TXV	37,600	16.95	13.00	C33-50/60C	EL195UH090XE48C	8898153
EL16XC1-041-230A	TXV	37,200	17.30	13.00	C33-50/60C	EL195UH110XE60C	8898230
EL16XC1-041-230A	TXV	37,600	16.95	13.00	C33-50/60C	EL296UH090XE48C	8898154
EL16XC1-041-230A	TXV	37,200	17.30	13.00	C33-50/60C	EL296UH110XE60C	8898231
EL16XC1-041-230A	TXV	39,000	17.80	13.50	C33-62C	EL180UH090E60C	8898232
EL16XC1-041-230A	TXV	39,000	17.75	13.50	C33-62C	EL180UH110E60C	8898233
EL16XC1-041-230A	TXV	39,000	17.75	13.50	C33-62C	EL180UH110XE60C	8898234
EL16XC1-041-230A	TXV	39,000	17.55	13.50	C33-62C	EL195UH090XE48C	8898235
EL16XC1-041-230A	TXV	39,500	17.45	13.50	C33-62C	EL195UH110XE60C	8898236
EL16XC1-041-230A	TXV	39,000	17.55	13.50	C33-62C	EL296UH090XE48C	8898237
EL16XC1-041-230A	TXV	39,500	17.45	13.50	C33-62C	EL296UH110XE60C	8898238
EL16XC1-041-230A	TXV	39,000	17.50	13.50	C33-62C	SLP98UH090XV48C	8898239

NOTES:

TXV = Matched with Thermostatic Expansion Valve.

RFC = Matched with RFC metering device.

AHRI certified to AHRI Standard 210/240 (with 25 ft. of connecting refrigerant lines); 95°F outdoor air temperature, 80°F db / 67°F wb entering evaporator air.

All ratings include the use of a blower time delay relay (TDR). All Lennox variable-speed furnaces and Air Handlers have time delay capabilities. Other Furnaces and Air Handlers may require an optional time delay relay (**58M81**) for field installation. See furnace or air handler specifications to determine if relay is needed.

Also see Expansion Valve Kit Usage Table.

AHRI SYSTEM MATCHES - ALL REGIONS - 018-024-030-041-042-047-048-060

NOTE - For the latest up-to-date system matches please visit the AHRI web site at <http://www.ahridirectory.org>

Model No.	Expansion Device	Capacity	SEER	EER	Coil or Air Handler	Furnace	AHRI Reference
EL16XC1-041-230A	TXV	38,000	16.90	13.00	C35-36B	EL180UH090E48B	8898155
EL16XC1-041-230A	TXV	38,000	16.90	13.00	C35-36B	EL180UH090XE48B	8898156
EL16XC1-041-230A	TXV	37,400	15.60	12.50	C35-36B		8898240
EL16XC1-041-230A	TXV	38,500	17.05	13.00	C35-48B	EL180UH090E48B	8898241
EL16XC1-041-230A	TXV	38,500	17.05	13.00	C35-48B	EL180UH090XE48B	8898242
EL16XC1-041-230A	TXV	37,800	15.65	12.50	C35-48B		8898243
EL16XC1-041-230A	TXV	38,500	17.50	13.50	C35-48C	EL180UH090E60C	8898244
EL16XC1-041-230A	TXV	38,500	17.45	13.50	C35-48C	EL180UH110E60C	8898245
EL16XC1-041-230A	TXV	38,500	17.45	13.50	C35-48C	EL180UH110XE60C	8898246
EL16XC1-041-230A	TXV	38,000	17.15	13.00	C35-48C	EL195UH090XE48C	8898247
EL16XC1-041-230A	TXV	37,800	17.55	13.50	C35-48C	EL195UH110XE60C	8898248
EL16XC1-041-230A	TXV	38,000	17.15	13.00	C35-48C	EL296UH090XE48C	8898249
EL16XC1-041-230A	TXV	37,800	17.55	13.50	C35-48C	EL296UH110XE60C	8898250
EL16XC1-041-230A	TXV	38,500	17.25	13.50	C35-48C	EL296UH110XV48C	8898251
EL16XC1-041-230A	TXV	38,500	17.50	13.50	C35-48C	SL280UH090V60C	8898252
EL16XC1-041-230A	TXV	38,500	17.50	13.50	C35-48C	SL280UH090XV60C	8898253
EL16XC1-041-230A	TXV	38,000	17.05	13.00	C35-48C	SL280UH110V60C	8898254
EL16XC1-041-230A	TXV	38,000	17.05	13.00	C35-48C	SL280UH110XV60C	8898255
EL16XC1-041-230A	TXV	37,800	15.65	12.50	C35-48C		8898256
EL16XC1-041-230A	TXV	39,000	17.60	13.50	C35-49C	EL180UH090E60C	8898257
EL16XC1-041-230A	TXV	38,500	17.60	13.50	C35-49C	EL180UH110E60C	8898258
EL16XC1-041-230A	TXV	38,500	17.60	13.50	C35-49C	EL180UH110XE60C	8898259
EL16XC1-041-230A	TXV	38,500	17.35	13.50	C35-49C	EL195UH090XE48C	8898260
EL16XC1-041-230A	TXV	39,000	17.25	13.00	C35-49C	EL195UH110XE60C	8898261
EL16XC1-041-230A	TXV	38,500	17.35	13.50	C35-49C	EL296UH090XE48C	8898262
EL16XC1-041-230A	TXV	39,000	17.25	13.00	C35-49C	EL296UH110XE60C	8898263
EL16XC1-041-230A	TXV	38,500	17.35	13.00	C35-49C	EL296UH110XV48C	8898264
EL16XC1-041-230A	TXV	39,000	17.60	13.50	C35-49C	SL280UH090XV60C	8898265
EL16XC1-041-230A	TXV	39,000	17.55	13.50	C35-49C	SL280UH110XV60C	8898266
EL16XC1-041-230A	TXV	38,000	15.80	12.50	C35-49C		8898267
EL16XC1-041-230A	TXV	38,000	17.20	13.00	C35-50/60C	EL180UH090E60C	8898268
EL16XC1-041-230A	TXV	37,800	17.20	13.00	C35-50/60C	EL180UH110E60C	8898269
EL16XC1-041-230A	TXV	37,800	17.20	13.00	C35-50/60C	EL180UH110XE60C	8898270
EL16XC1-041-230A	TXV	37,600	16.95	13.00	C35-50/60C	EL195UH090XE48C	8898157
EL16XC1-041-230A	TXV	37,400	17.30	13.00	C35-50/60C	EL195UH110XE60C	8898271
EL16XC1-041-230A	TXV	37,600	16.95	13.00	C35-50/60C	EL296UH090XE48C	8898158
EL16XC1-041-230A	TXV	37,400	17.30	13.00	C35-50/60C	EL296UH110XE60C	8898272
EL16XC1-041-230A	TXV	38,000	16.95	13.00	C35-50/60C	EL296UH110XV48C	8898159
EL16XC1-041-230A	TXV	37,600	15.10	12.50	C35-50/60C		8898273
EL16XC1-041-230A	TXV	39,500	17.85	13.50	C35-60C	EL180UH090E60C	8898274
EL16XC1-041-230A	TXV	39,000	17.80	13.50	C35-60C	EL180UH110E60C	8898275
EL16XC1-041-230A	TXV	39,000	17.80	13.50	C35-60C	EL180UH110XE60C	8898276
EL16XC1-041-230A	TXV	39,000	17.60	13.50	C35-60C	EL195UH090XE48C	8898277
EL16XC1-041-230A	TXV	39,500	17.50	13.50	C35-60C	EL195UH110XE60C	8898278
EL16XC1-041-230A	TXV	39,000	17.60	13.50	C35-60C	EL296UH090XE48C	8898279
EL16XC1-041-230A	TXV	39,500	17.50	13.50	C35-60C	EL296UH110XE60C	8898280
EL16XC1-041-230A	TXV	39,000	17.55	13.50	C35-60C	SLP98UH090XV48C	8898281
EL16XC1-041-230A	TXV	38,500	16.05	13.00	C35-60C		8898282
EL16XC1-041-230A	TXV	37,200	16.00	13.00	CBX25UH-042		8898283

NOTES:

TXV = Matched with Thermostatic Expansion Valve.

RFC = Matched with RFC metering device.

AHRI certified to AHRI Standard 210/240 (with 25 ft. of connecting refrigerant lines); 95°F outdoor air temperature, 80°F db / 67°F wb entering evaporator air.

All ratings include the use of a blower time delay relay (TDR). All Lennox variable-speed furnaces and Air Handlers have time delay capabilities. Other Furnaces and Air Handlers may require an optional time delay relay (**58M81**) for field installation. See furnace or air handler specifications to determine if relay is needed.

Also see Expansion Valve Kit Usage Table.

AHRI SYSTEM MATCHES - ALL REGIONS - 018-024-030-041-042-047-048-060

NOTE - For the latest up-to-date system matches please visit the AHRI web site at <http://www.ahridirectory.org>

Model No.	Expansion Device	Capacity	SEER	EER	Coil or Air Handler	Furnace	AHRI Reference
EL16XC1-041-230A	TXV	38,000	16.25	13.00	CBX25UH-048		8898284
EL16XC1-041-230A	TXV	38,000	17.60	13.50	CBX25UHV-042		8898285
EL16XC1-041-230A	TXV	38,500	17.60	13.50	CBX25UHV-048		8898286
EL16XC1-041-230A	TXV	38,500	17.30	13.50	CBX27UH-048		8898287
EL16XC1-041-230A	TXV	38,000	17.15	13.00	CBX32MV-048		8898288
EL16XC1-041-230A	TXV	38,000	17.10	13.00	CBX40UHV-048		8898289
EL16XC1-041-230A	TXV	36,400	17.20	13.00	CH23-51	EL180UH090E60C	8898290
EL16XC1-041-230A	TXV	36,600	17.05	13.00	CH23-51	SL280UH090V60C	8898291
EL16XC1-041-230A	TXV	37,000	17.40	13.50	CH23-65	EL180UH090E60C	8898292
EL16XC1-041-230A	TXV	37,000	17.25	13.00	CH23-65	SL280UH090V60C	8898293
EL16XC1-041-230A	TXV	38,000	16.95	13.00	CH33-43B	EL180UH090E48B	8898294
EL16XC1-041-230A	TXV	38,000	16.95	13.00	CH33-43B	EL180UH090XE48B	8898295
EL16XC1-041-230A	TXV	38,000	16.75	13.00	CH33-43B	SL280UH090V36B	8898160
EL16XC1-041-230A	TXV	38,000	16.80	13.00	CH33-43B	SL280UH090V48B	8898161
EL16XC1-041-230A	TXV	38,000	16.80	13.00	CH33-43B	SL280UH090XV48B	8898162
EL16XC1-041-230A	TXV	38,000	17.35	13.00	CH33-43C	EL180UH090E60C	8898296
EL16XC1-041-230A	TXV	38,000	17.35	13.00	CH33-43C	EL180UH110E60C	8898297
EL16XC1-041-230A	TXV	38,000	17.35	13.00	CH33-43C	EL180UH110XE60C	8898298
EL16XC1-041-230A	TXV	38,000	17.10	13.00	CH33-43C	EL195UH090XE48C	8898299
EL16XC1-041-230A	TXV	37,600	17.45	13.50	CH33-43C	EL195UH110XE60C	8898300
EL16XC1-041-230A	TXV	38,000	17.10	13.00	CH33-43C	EL296UH090XE48C	8898301
EL16XC1-041-230A	TXV	38,000	17.00	13.00	CH33-43C	EL296UH090XV36C	8898302
EL16XC1-041-230A	TXV	38,000	17.10	13.00	CH33-43C	EL296UH090XV48C	8898303
EL16XC1-041-230A	TXV	38,000	17.30	13.00	CH33-43C	EL296UH090XV60C	8898304
EL16XC1-041-230A	TXV	37,600	17.45	13.50	CH33-43C	EL296UH110XE60C	8898305
EL16XC1-041-230A	TXV	38,500	17.25	13.50	CH33-43C	EL296UH110XV60C	8898306
EL16XC1-041-230A	TXV	38,500	17.45	13.50	CH33-43C	SL280UH090V60C	8898307
EL16XC1-041-230A	TXV	38,500	17.45	13.50	CH33-43C	SL280UH090XV60C	8898308
EL16XC1-041-230A	TXV	38,000	17.05	13.00	CH33-43C	SL280UH110V60C	8898309
EL16XC1-041-230A	TXV	38,000	17.05	13.00	CH33-43C	SL280UH110XV60C	8898310
EL16XC1-041-230A	TXV	38,000	17.00	13.00	CH33-43C	SLP98UH090XV36C	8898311
EL16XC1-041-230A	TXV	38,000	17.10	13.00	CH33-43C	SLP98UH090XV48C	8898312
EL16XC1-041-230A	TXV	38,000	17.30	13.00	CH33-43C	SLP98UH090XV60C	8898313
EL16XC1-041-230A	TXV	38,500	17.25	13.50	CH33-43C	SLP98UH110XV60C	8898314
EL16XC1-041-230A	TXV	37,800	16.85	13.00	CH33-44/48	EL180UH090E48B	8898163
EL16XC1-041-230A	TXV	37,800	16.85	13.00	CH33-44/48	EL180UH090XE48B	8898164
EL16XC1-041-230A	TXV	38,000	17.15	13.00	CH33-48C	EL180UH090E60C	8898315
EL16XC1-041-230A	TXV	37,800	17.15	13.00	CH33-48C	EL180UH110E60C	8898316
EL16XC1-041-230A	TXV	37,800	17.15	13.00	CH33-48C	EL180UH110XE60C	8898317
EL16XC1-041-230A	TXV	37,600	16.95	13.00	CH33-48C	EL195UH090XE48C	8898165
EL16XC1-041-230A	TXV	37,400	17.30	13.00	CH33-48C	EL195UH110XE60C	8898318
EL16XC1-041-230A	TXV	37,600	16.95	13.00	CH33-48C	EL296UH090XE48C	8898166
EL16XC1-041-230A	TXV	37,600	16.65	13.00	CH33-48C	EL296UH090XV36C	8898319
EL16XC1-041-230A	TXV	37,800	16.85	13.00	CH33-48C	EL296UH090XV48C	8898320
EL16XC1-041-230A	TXV	37,400	17.30	13.00	CH33-48C	EL296UH110XE60C	8898321
EL16XC1-041-230A	TXV	37,600	16.65	13.00	CH33-48C	SLP98UH090XV36C	8898322
EL16XC1-041-230A	TXV	37,800	16.85	13.00	CH33-48C	SLP98UH090XV48C	8898323
EL16XC1-041-230A	TXV	38,500	17.50	13.50	CH33-49	EL180UH090E60C	8898324
EL16XC1-041-230A	TXV	38,500	17.50	13.50	CH33-49	EL180UH110E60C	8898325

NOTES:

TXV = Matched with Thermostatic Expansion Valve.

RFC = Matched with RFC metering device.

AHRI certified to AHRI Standard 210/240 (with 25 ft. of connecting refrigerant lines); 95°F outdoor air temperature, 80°F db / 67°F wb entering evaporator air.

All ratings include the use of a blower time delay relay (TDR). All Lennox variable-speed furnaces and Air Handlers have time delay capabilities. Other Furnaces and Air Handlers may require an optional time delay relay (**58M81**) for field installation. See furnace or air handler specifications to determine if relay is needed.

Also see Expansion Valve Kit Usage Table.

AHRI SYSTEM MATCHES - ALL REGIONS - 018-024-030-041-042-047-048-060

NOTE - For the latest up-to-date system matches please visit the AHRI web site at <http://www.ahridirectory.org>

Model No.	Expansion Device	Capacity	SEER	EER	Coil or Air Handler	Furnace	AHRI Reference
EL16XC1-041-230A	TXV	38,500	17.50	13.50	CH33-49	EL180UH110XE60C	8898326
EL16XC1-041-230A	TXV	38,500	17.30	13.00	CH33-49	EL195UH090XE48C	8898327
EL16XC1-041-230A	TXV	39,000	17.15	13.00	CH33-49	EL195UH110XE60C	8898328
EL16XC1-041-230A	TXV	38,500	17.30	13.00	CH33-49	EL296UH090XE48C	8898329
EL16XC1-041-230A	TXV	39,000	17.15	13.00	CH33-49	EL296UH110XE60C	8898330
EL16XC1-041-230A	TXV	38,500	17.40	13.50	CH33-50/60C	EL180UH090E60C	8898331
EL16XC1-041-230A	TXV	38,500	17.35	13.50	CH33-50/60C	EL180UH110E60C	8898332
EL16XC1-041-230A	TXV	38,500	17.35	13.50	CH33-50/60C	EL180UH110XE60C	8898333
EL16XC1-041-230A	TXV	38,000	17.15	13.00	CH33-50/60C	EL195UH090XE48C	8898334
EL16XC1-041-230A	TXV	38,500	17.05	13.00	CH33-50/60C	EL195UH110XE60C	8898335
EL16XC1-041-230A	TXV	38,000	17.15	13.00	CH33-50/60C	EL296UH090XE48C	8898336
EL16XC1-041-230A	TXV	38,500	17.05	13.00	CH33-50/60C	EL296UH110XE60C	8898337
EL16XC1-041-230A	TXV	38,000	15.75	12.50	CH33-50/60C		8898338
EL16XC1-041-230A	TXV	39,000	17.25	13.50	CH35-42B	EL180UH090E48B	8898339
EL16XC1-041-230A	TXV	38,500	16.45	13.00	CH35-42B	EL296UH045XV36B	9973363
EL16XC1-041-230A	TXV	39,000	17.05	13.00	CH35-42B	SL280UH090V36B	8898340
EL16XC1-041-230A	TXV	39,000	17.10	13.00	CH35-42B	SL280UH090V48B	8898341
EL16XC1-041-230A	TXV	38,500	16.40	13.00	CH35-42B	SLP98UH070XV36B	8898342
EL16XC1-041-230A	TXV	38,500	15.95	12.50	CH35-42B		8898343
EL16XC1-041-230A	TXV	38,500	17.40	13.50	CH35-42C	EL180UH090E60C	8898344
EL16XC1-041-230A	TXV	38,500	17.40	13.50	CH35-42C	EL180UH110E60C	8898345
EL16XC1-041-230A	TXV	38,000	17.15	13.00	CH35-42C	EL195UH090XE48C	8898346
EL16XC1-041-230A	TXV	37,800	17.50	13.50	CH35-42C	EL195UH110XE60C	8898347
EL16XC1-041-230A	TXV	38,000	17.15	13.00	CH35-42C	EL296UH090XE48C	8898348
EL16XC1-041-230A	TXV	38,000	17.05	13.00	CH35-42C	EL296UH090XV36C	8898349
EL16XC1-041-230A	TXV	38,000	17.15	13.00	CH35-42C	EL296UH090XV48C	8898350
EL16XC1-041-230A	TXV	38,000	17.35	13.00	CH35-42C	EL296UH090XV60C	8898351
EL16XC1-041-230A	TXV	37,800	17.50	13.50	CH35-42C	EL296UH110XE60C	8898352
EL16XC1-041-230A	TXV	38,500	17.25	13.00	CH35-42C	EL296UH110XV48C	8898353
EL16XC1-041-230A	TXV	38,500	17.30	13.50	CH35-42C	EL296UH110XV60C	8898354
EL16XC1-041-230A	TXV	38,500	17.50	13.50	CH35-42C	SL280UH090V60C	8898355
EL16XC1-041-230A	TXV	38,500	17.10	13.00	CH35-42C	SL280UH110V60C	8898356
EL16XC1-041-230A	TXV	38,000	17.05	13.00	CH35-42C	SLP98UH090XV36C	8898357
EL16XC1-041-230A	TXV	38,000	17.15	13.00	CH35-42C	SLP98UH090XV48C	8898358
EL16XC1-041-230A	TXV	38,000	17.35	13.00	CH35-42C	SLP98UH090XV60C	8898359
EL16XC1-041-230A	TXV	38,500	17.30	13.50	CH35-42C	SLP98UH110XV60C	8898360
EL16XC1-041-230A	TXV	37,800	15.70	12.50	CH35-42C		8898361
EL16XC1-041-230A	TXV	38,000	16.95	13.00	CH35-48B	EL180UH090E48B	8898168
EL16XC1-041-230A	TXV	37,800	16.15	13.00	CH35-48B	EL296UH045XV36B	9973360
EL16XC1-041-230A	TXV	37,600	15.65	12.50	CH35-48B		8898362
EL16XC1-041-230A	TXV	38,000	17.25	13.00	CH35-48C	EL180UH090E60C	8898363
EL16XC1-041-230A	TXV	38,000	17.25	13.00	CH35-48C	EL180UH110E60C	8898364
EL16XC1-041-230A	TXV	37,800	17.00	13.00	CH35-48C	EL195UH090XE48C	8898170
EL16XC1-041-230A	TXV	38,000	16.90	13.00	CH35-48C	EL195UH110XE60C	8898365
EL16XC1-041-230A	TXV	37,800	16.70	13.00	CH35-48C	EL296UH090XV36C	8898171
EL16XC1-041-230A	TXV	38,000	16.90	13.00	CH35-48C	EL296UH090XV48C	8898172
EL16XC1-041-230A	TXV	38,000	16.90	13.00	CH35-48C	EL296UH110XE60C	8898366
EL16XC1-041-230A	TXV	38,000	16.95	13.00	CH35-48C	EL296UH110XV48C	8898367
EL16XC1-041-230A	TXV	37,800	17.30	13.00	CH35-48C	SL280UH090V60C	8898368

NOTES:

TXV = Matched with Thermostatic Expansion Valve.

RFC = Matched with RFC metering device.

AHRI certified to AHRI Standard 210/240 (with 25 ft. of connecting refrigerant lines); 95°F outdoor air temperature, 80°F db / 67°F wb entering evaporator air.

All ratings include the use of a blower time delay relay (TDR). All Lennox variable-speed furnaces and Air Handlers have time delay capabilities. Other Furnaces and Air Handlers may require an optional time delay relay (**58M81**) for field installation. See furnace or air handler specifications to determine if relay is needed.

Also see Expansion Valve Kit Usage Table.

AHRI SYSTEM MATCHES - ALL REGIONS - 018-024-030-041-042-047-048-060

NOTE - For the latest up-to-date system matches please visit the AHRI web site at <http://www.ahridirectory.org>

Model No.	Expansion Device	Capacity	SEER	EER	Coil or Air Handler	Furnace	AHRI Reference
EL16XC1-041-230A	TXV	38,000	16.85	13.00	CH35-48C	SL280UH110V60C	8898369
EL16XC1-041-230A	TXV	37,800	16.70	13.00	CH35-48C	SLP98UH090XV36C	8898173
EL16XC1-041-230A	TXV	38,000	16.90	13.00	CH35-48C	SLP98UH090XV48C	8898174
EL16XC1-041-230A	TXV	37,800	17.05	13.00	CH35-48C	SLP98UH090XV60C	8898370
EL16XC1-041-230A	TXV	38,000	16.90	13.00	CH35-48C	SLP98UH110XV60C	8898175
EL16XC1-041-230A	TXV	37,600	15.65	12.50	CH35-48C		8898371
EL16XC1-041-230A	TXV	39,000	17.55	13.50	CH35-51C	EL180UH090E60C	8898372
EL16XC1-041-230A	TXV	38,500	17.55	13.50	CH35-51C	EL180UH110E60C	8898373
EL16XC1-041-230A	TXV	38,500	17.35	13.00	CH35-51C	EL195UH090XE48C	8898374
EL16XC1-041-230A	TXV	39,000	17.20	13.00	CH35-51C	EL195UH110XE60C	8898375
EL16XC1-041-230A	TXV	38,500	17.35	13.00	CH35-51C	EL296UH090XE48C	8898376
EL16XC1-041-230A	TXV	39,000	17.20	13.00	CH35-51C	EL296UH110XE60C	8898377
EL16XC1-041-230A	TXV	39,000	17.20	13.00	CH35-51C	EL296UH110XV48C	8898378
EL16XC1-041-230A	TXV	38,500	16.95	13.00	CH35-51C	SLP98UH090XV36C	8898176
EL16XC1-041-230A	TXV	38,500	17.15	13.00	CH35-51C	SLP98UH090XV48C	8898379
EL16XC1-041-230A	TXV	39,000	16.95	13.00	CH35-51C	SLP98UH090XV60C	8898177
EL16XC1-041-230A	TXV	38,500	17.15	13.00	CH35-51C	SLP98UH110XV60C	8898380
EL16XC1-041-230A	TXV	38,500	15.85	12.50	CH35-51C		8898178
EL16XC1-041-230A	TXV	37,600	16.95	13.00	CR33-50/60	EL195DF090XE48C	8898381
EL16XC1-041-230A	TXV	37,400	17.35	13.00	CR33-50/60	EL195DF110XE60C	8898382
EL16XC1-041-230A	TXV	37,600	16.95	13.00	CR33-50/60	EL296DF090XE48C	8898383
EL16XC1-041-230A	TXV	37,400	17.25	13.00	CR33-50/60	EL296DF090XV60C	8898384
EL16XC1-041-230A	TXV	37,400	17.35	13.00	CR33-50/60	EL296DF110XE60C	8898385
EL16XC1-041-230A	TXV	37,400	17.25	13.00	CR33-50/60	EL296DF110XV60C	8898386
EL16XC1-041-230A	TXV	37,800	17.25	13.00	CR33-50/60	SL280DF090V60C	8898387
EL16XC1-041-230A	TXV	38,000	17.35	13.50	CR33-50/60	SL280DF110V60C	8898388
EL16XC1-041-230A	TXV	37,800	16.85	13.00	CX34-38	EL180UH090E48B	8898179
EL16XC1-041-230A	TXV	37,800	16.85	13.00	CX34-38	EL180UH090XE48B	8898180
EL16XC1-041-230A	TXV	38,000	17.05	13.00	CX34-43	EL180UH090E48B	8898390
EL16XC1-041-230A	TXV	38,500	17.45	13.50	CX34-43	EL180UH090E60C	8898392
EL16XC1-041-230A	TXV	38,000	17.05	13.00	CX34-43	EL180UH090XE48B	8898391
EL16XC1-041-230A	TXV	38,000	17.40	13.00	CX34-43	EL180UH110E60C	8898393
EL16XC1-041-230A	TXV	38,000	17.40	13.00	CX34-43	EL180UH110XE60C	8898394
EL16XC1-041-230A	TXV	38,000	17.10	13.00	CX34-43	EL195UH090XE48C	8898395
EL16XC1-041-230A	TXV	37,600	17.50	13.50	CX34-43	EL195UH110XE60C	8898396
EL16XC1-041-230A	TXV	38,000	17.10	13.00	CX34-43	EL296UH090XE48C	8898397
EL16XC1-041-230A	TXV	38,000	16.90	13.00	CX34-43	EL296UH090XV36C	8898181
EL16XC1-041-230A	TXV	38,000	17.05	13.00	CX34-43	EL296UH090XV48C	8898398
EL16XC1-041-230A	TXV	37,800	17.20	13.00	CX34-43	EL296UH090XV60C	8898399
EL16XC1-041-230A	TXV	37,600	17.50	13.50	CX34-43	EL296UH110XE60C	8898400
EL16XC1-041-230A	TXV	38,000	17.20	13.00	CX34-43	EL296UH110XV60C	8898401
EL16XC1-041-230A	TXV	38,500	17.40	13.50	CX34-43	SL280UH090V60C	8898402
EL16XC1-041-230A	TXV	38,500	17.40	13.50	CX34-43	SL280UH090XV60C	8898403
EL16XC1-041-230A	TXV	38,000	17.05	13.00	CX34-43	SL280UH110V60C	8898404
EL16XC1-041-230A	TXV	38,000	17.05	13.00	CX34-43	SL280UH110XV60C	8898405
EL16XC1-041-230A	TXV	38,000	16.90	13.00	CX34-43	SLP98UH090XV36C	8898182
EL16XC1-041-230A	TXV	38,000	17.05	13.00	CX34-43	SLP98UH090XV48C	8898406
EL16XC1-041-230A	TXV	37,800	17.20	13.00	CX34-43	SLP98UH090XV60C	8898407
EL16XC1-041-230A	TXV	38,000	17.20	13.00	CX34-43	SLP98UH110XV60C	8898408

NOTES:

TXV = Matched with Thermostatic Expansion Valve.

RFC = Matched with RFC metering device.

AHRI certified to AHRI Standard 210/240 (with 25 ft. of connecting refrigerant lines); 95°F outdoor air temperature, 80°F db / 67°F wb entering evaporator air.

All ratings include the use of a blower time delay relay (TDR). All Lennox variable-speed furnaces and Air Handlers have time delay capabilities. Other Furnaces and Air Handlers may require an optional time delay relay (**58M81**) for field installation. See furnace or air handler specifications to determine if relay is needed.

Also see Expansion Valve Kit Usage Table.

AHRI SYSTEM MATCHES - ALL REGIONS - 018-024-030-041-042-047-048-060

NOTE - For the latest up-to-date system matches please visit the AHRI web site at <http://www.ahridirectory.org>

Model No.	Expansion Device	Capacity	SEER	EER	Coil or Air Handler	Furnace	AHRI Reference
EL16XC1-041-230A	TXV	37,600	15.65	12.50	CX34-43		8898389
EL16XC1-041-230A	TXV	37,400	16.70	13.00	CX34-44/48	EL180UH090E48B	8898183
EL16XC1-041-230A	TXV	37,400	17.05	13.00	CX34-44/48	EL180UH090E60C	8898409
EL16XC1-041-230A	TXV	37,400	16.70	13.00	CX34-44/48	EL180UH090XE48B	8898184
EL16XC1-041-230A	TXV	37,400	17.00	13.00	CX34-44/48	EL180UH110E60C	8898185
EL16XC1-041-230A	TXV	37,400	17.00	13.00	CX34-44/48	EL180UH110XE60C	8898186
EL16XC1-041-230A	TXV	37,200	16.80	13.00	CX34-44/48	EL195UH090XE48C	8898410
EL16XC1-041-230A	TXV	36,800	17.15	13.00	CX34-44/48	EL195UH110XE60C	8898411
EL16XC1-041-230A	TXV	37,200	16.80	13.00	CX34-44/48	EL296UH090XE48C	8898412
EL16XC1-041-230A	TXV	36,800	17.15	13.00	CX34-44/48	EL296UH110XE60C	8898413
EL16XC1-041-230A	TXV	38,500	17.60	13.50	CX34-49	EL180UH090E60C	8898415
EL16XC1-041-230A	TXV	38,500	17.55	13.50	CX34-49	EL180UH110E60C	8898416
EL16XC1-041-230A	TXV	38,500	17.55	13.50	CX34-49	EL180UH110XE60C	8898417
EL16XC1-041-230A	TXV	38,000	17.30	13.50	CX34-49	EL195UH090XE48C	8898418
EL16XC1-041-230A	TXV	38,500	17.60	13.50	CX34-49	EL195UH110XE60C	8898419
EL16XC1-041-230A	TXV	38,500	17.30	13.50	CX34-49	EL296UH090XE48C	8898420
EL16XC1-041-230A	TXV	38,000	17.25	13.00	CX34-49	EL296UH090XV48C	8898421
EL16XC1-041-230A	TXV	38,500	17.60	13.50	CX34-49	EL296UH110XE60C	8898422
EL16XC1-041-230A	TXV	39,000	17.40	13.00	CX34-49	EL296UH110XV60C	8898423
EL16XC1-041-230A	TXV	38,500	17.60	13.50	CX34-49	SL280UH090V60C	8898424
EL16XC1-041-230A	TXV	38,500	17.20	13.00	CX34-49	SL280UH110V60C	8898425
EL16XC1-041-230A	TXV	38,000	17.40	13.00	CX34-49	SLP98UH110XV60C	8898426
EL16XC1-041-230A	TXV	39,000	15.80	12.50	CX34-49		8898414
EL16XC1-041-230A	TXV	37,800	17.15	13.00	CX34-50/60C	EL180UH090E60C	8898427
EL16XC1-041-230A	TXV	37,800	17.15	13.00	CX34-50/60C	EL180UH110E60C	8898428
EL16XC1-041-230A	TXV	37,800	17.15	13.00	CX34-50/60C	EL180UH110XE60C	8898429
EL16XC1-041-230A	TXV	37,600	16.95	13.00	CX34-50/60C	EL195UH090XE48C	8898187
EL16XC1-041-230A	TXV	37,200	17.30	13.00	CX34-50/60C	EL195UH110XE60C	8898430
EL16XC1-041-230A	TXV	37,600	16.95	13.00	CX34-50/60C	EL296UH090XE48C	8898188
EL16XC1-041-230A	TXV	37,200	17.30	13.00	CX34-50/60C	EL296UH110XE60C	8898431
EL16XC1-041-230A	TXV	39,000	17.80	13.50	CX34-62C	EL180UH090E60C	8898432
EL16XC1-041-230A	TXV	39,000	17.75	13.50	CX34-62C	EL180UH110E60C	8898433
EL16XC1-041-230A	TXV	39,000	17.75	13.50	CX34-62C	EL180UH110XE60C	8898434
EL16XC1-041-230A	TXV	39,000	17.55	13.50	CX34-62C	EL195UH090XE48C	8898435
EL16XC1-041-230A	TXV	39,500	17.45	13.50	CX34-62C	EL195UH110XE60C	8898436
EL16XC1-041-230A	TXV	39,000	17.55	13.50	CX34-62C	EL296UH090XE48C	8898437
EL16XC1-041-230A	TXV	39,000	17.35	13.50	CX34-62C	EL296UH090XV36C	8898438
EL16XC1-041-230A	TXV	39,000	17.50	13.50	CX34-62C	EL296UH090XV48C	8898439
EL16XC1-041-230A	TXV	39,500	17.40	13.50	CX34-62C	EL296UH090XV60C	8898440
EL16XC1-041-230A	TXV	39,500	17.45	13.50	CX34-62C	EL296UH110XE60C	8898441
EL16XC1-041-230A	TXV	39,000	17.60	13.50	CX34-62C	EL296UH110XV60C	8898442
EL16XC1-041-230A	TXV	39,500	17.85	13.50	CX34-62C	SL280UH090V60C	8898443
EL16XC1-041-230A	TXV	39,000	17.45	13.50	CX34-62C	SL280UH110V60C	8898444
EL16XC1-041-230A	TXV	39,000	17.35	13.50	CX34-62C	SLP98UH090XV36C	8898445
EL16XC1-041-230A	TXV	39,000	17.50	13.50	CX34-62C	SLP98UH090XV48C	8898446
EL16XC1-041-230A	TXV	39,500	17.40	13.50	CX34-62C	SLP98UH090XV60C	8898447
EL16XC1-041-230A	TXV	39,000	17.60	13.50	CX34-62C	SLP98UH110XV60C	8898448
EL16XC1-041-230A	TXV	38,000	16.90	13.00	CX35-36B	EL180UH090E48B	8898189
EL16XC1-041-230A	TXV	38,000	16.90	13.00	CX35-36B	EL180UH090XE48B	8898190

NOTES:

TXV = Matched with Thermostatic Expansion Valve.

RFC = Matched with RFC metering device.

AHRI certified to AHRI Standard 210/240 (with 25 ft. of connecting refrigerant lines); 95°F outdoor air temperature, 80°F db / 67°F wb entering evaporator air. All ratings include the use of a blower time delay relay (TDR). All Lennox variable-speed furnaces and Air Handlers have time delay capabilities. Other Furnaces and Air Handlers may require an optional time delay relay (**58M81**) for field installation. See furnace or air handler specifications to determine if relay is needed.

Also see Expansion Valve Kit Usage Table.

AHRI SYSTEM MATCHES - ALL REGIONS - 018-024-030-041-042-047-048-060

NOTE - For the latest up-to-date system matches please visit the AHRI web site at <http://www.ahridirectory.org>

Model No.	Expansion Device	Capacity	SEER	EER	Coil or Air Handler	Furnace	AHRI Reference
EL16XC1-041-230A	TXV	37,600	16.10	13.00	CX35-36B	EL296UH045XV36B	8898191
EL16XC1-041-230A	TXV	37,800	16.70	13.00	CX35-36B	SL280UH090V36B	8898449
EL16XC1-041-230A	TXV	38,000	16.75	13.00	CX35-36B	SL280UH090V48B	8898192
EL16XC1-041-230A	TXV	37,600	16.05	13.00	CX35-36B	SLP98UH070XV36B	8898450
EL16XC1-041-230A	TXV	37,400	15.60	12.50	CX35-36B		8898451
EL16XC1-041-230A	TXV	38,500	17.05	13.00	CX35-48B	EL180UH090E48B	8898452
EL16XC1-041-230A	TXV	38,500	17.05	13.00	CX35-48B	EL180UH090XE48B	8898453
EL16XC1-041-230A	TXV	37,800	16.45	13.00	CX35-48B	EL296UH045XV36B	8898454
EL16XC1-041-230A	TXV	38,000	17.00	13.00	CX35-48B	SL280UH090V36B	8898193
EL16XC1-041-230A	TXV	38,500	17.05	13.00	CX35-48B	SL280UH090V48B	8898455
EL16XC1-041-230A	TXV	37,800	16.35	13.00	CX35-48B	SLP98UH070XV36B	8898456
EL16XC1-041-230A	TXV	37,800	15.65	12.50	CX35-48B		8898457
EL16XC1-041-230A	TXV	38,500	17.50	13.50	CX35-48C	EL180UH090E60C	8898458
EL16XC1-041-230A	TXV	38,500	17.45	13.50	CX35-48C	EL180UH110E60C	8898459
EL16XC1-041-230A	TXV	38,500	17.45	13.50	CX35-48C	EL180UH110XE60C	8898460
EL16XC1-041-230A	TXV	38,000	17.15	13.00	CX35-48C	EL195UH090XE48C	8898461
EL16XC1-041-230A	TXV	37,800	17.55	13.50	CX35-48C	EL195UH110XE60C	8898462
EL16XC1-041-230A	TXV	38,000	17.15	13.00	CX35-48C	EL296UH090XE48C	8898463
EL16XC1-041-230A	TXV	38,000	16.95	13.00	CX35-48C	EL296UH090XV36C	8898194
EL16XC1-041-230A	TXV	38,000	17.10	13.00	CX35-48C	EL296UH090XV48C	8898464
EL16XC1-041-230A	TXV	38,000	17.25	13.00	CX35-48C	EL296UH090XV60C	8898465
EL16XC1-041-230A	TXV	37,800	17.55	13.50	CX35-48C	EL296UH110XE60C	8898466
EL16XC1-041-230A	TXV	38,500	17.05	13.00	CX35-48C	EL296UH110XV48C	8898467
EL16XC1-041-230A	TXV	38,500	17.25	13.50	CX35-48C	EL296UH110XV60C	8898468
EL16XC1-041-230A	TXV	38,500	17.50	13.50	CX35-48C	SL280UH090V60C	8898469
EL16XC1-041-230A	TXV	38,500	17.50	13.50	CX35-48C	SL280UH090XV60C	8898470
EL16XC1-041-230A	TXV	38,000	17.05	13.00	CX35-48C	SL280UH110V60C	8898471
EL16XC1-041-230A	TXV	38,000	17.05	13.00	CX35-48C	SL280UH110XV60C	8898472
EL16XC1-041-230A	TXV	38,000	16.95	13.00	CX35-48C	SLP98UH090XV36C	8898195
EL16XC1-041-230A	TXV	38,000	17.10	13.00	CX35-48C	SLP98UH090XV48C	8898473
EL16XC1-041-230A	TXV	38,000	17.25	13.00	CX35-48C	SLP98UH090XV60C	8898474
EL16XC1-041-230A	TXV	38,500	17.25	13.50	CX35-48C	SLP98UH110XV60C	8898475
EL16XC1-041-230A	TXV	37,800	15.65	12.50	CX35-48C		8898476
EL16XC1-041-230A	TXV	39,000	17.60	13.50	CX35-49C	EL180UH090E60C	8898477
EL16XC1-041-230A	TXV	38,500	17.60	13.50	CX35-49C	EL180UH110E60C	8898478
EL16XC1-041-230A	TXV	38,500	17.60	13.50	CX35-49C	EL180UH110XE60C	8898479
EL16XC1-041-230A	TXV	38,500	17.35	13.50	CX35-49C	EL195UH090XE48C	8898480
EL16XC1-041-230A	TXV	39,000	17.25	13.00	CX35-49C	EL195UH110XE60C	8898481
EL16XC1-041-230A	TXV	38,500	17.35	13.50	CX35-49C	EL296UH090XE48C	8898483
EL16XC1-041-230A	TXV	38,500	17.15	13.00	CX35-49C	EL296UH090XV36C	8898482
EL16XC1-041-230A	TXV	38,500	17.30	13.00	CX35-49C	EL296UH090XV48C	8898484
EL16XC1-041-230A	TXV	39,000	17.25	13.00	CX35-49C	EL296UH110XE60C	8898486
EL16XC1-041-230A	TXV	38,500	17.35	13.00	CX35-49C	EL296UH110XV48C	8898485
EL16XC1-041-230A	TXV	39,000	17.40	13.50	CX35-49C	EL296UH110XV60C	8898487
EL16XC1-041-230A	TXV	39,000	17.60	13.50	CX35-49C	SL280UH090V60C	8898488
EL16XC1-041-230A	TXV	38,500	17.25	13.00	CX35-49C	SL280UH110V60C	8898489
EL16XC1-041-230A	TXV	38,500	17.15	13.00	CX35-49C	SLP98UH090XV36C	8898490
EL16XC1-041-230A	TXV	38,500	17.30	13.00	CX35-49C	SLP98UH090XV48C	8898491
EL16XC1-041-230A	TXV	39,000	17.15	13.00	CX35-49C	SLP98UH090XV60C	8898492

NOTES:

TXV = Matched with Thermostatic Expansion Valve.

RFC = Matched with RFC metering device.

AHRI certified to AHRI Standard 210/240 (with 25 ft. of connecting refrigerant lines); 95°F outdoor air temperature, 80°F db / 67°F wb entering evaporator air.

All ratings include the use of a blower time delay relay (TDR). All Lennox variable-speed furnaces and Air Handlers have time delay capabilities. Other Furnaces and Air Handlers may require an optional time delay relay (**58M81**) for field installation. See furnace or air handler specifications to determine if relay is needed.

Also see Expansion Valve Kit Usage Table.

AHRI SYSTEM MATCHES - ALL REGIONS - 018-024-030-041-042-047-048-060

NOTE - For the latest up-to-date system matches please visit the AHRI web site at <http://www.ahridirectory.org>

Model No.	Expansion Device	Capacity	SEER	EER	Coil or Air Handler	Furnace	AHRI Reference
EL16XC1-041-230A	TXV	39,000	17.40	13.50	CX35-49C	SLP98UH110XV60C	8898493
EL16XC1-041-230A	TXV	38,000	15.80	12.50	CX35-49C		8898494
EL16XC1-041-230A	TXV	38,000	17.20	13.00	CX35-50/60C	EL180UH090E60C	8898498
EL16XC1-041-230A	TXV	37,800	17.20	13.00	CX35-50/60C	EL180UH110E60C	8898499
EL16XC1-041-230A	TXV	37,800	17.20	13.00	CX35-50/60C	EL180UH110XE60C	8898500
EL16XC1-041-230A	TXV	37,600	16.95	13.00	CX35-50/60C	EL195UH090XE48C	8898198
EL16XC1-041-230A	TXV	37,400	17.30	13.00	CX35-50/60C	EL195UH110XE60C	8898501
EL16XC1-041-230A	TXV	37,600	16.95	13.00	CX35-50/60C	EL296UH090XE48C	8898199
EL16XC1-041-230A	TXV	37,400	17.30	13.00	CX35-50/60C	EL296UH110XE60C	8898502
EL16XC1-041-230A	TXV	38,000	16.80	13.00	CX35-50/60C	EL296UH110XV48C	8898196
EL16XC1-041-230A	TXV	37,600	16.60	13.00	CX35-50/60C	SLP98UH090XV36C	8898495
EL16XC1-041-230A	TXV	37,800	16.80	13.00	CX35-50/60C	SLP98UH090XV48C	8898197
EL16XC1-041-230A	TXV	37,600	16.95	13.00	CX35-50/60C	SLP98UH090XV60C	8898503
EL16XC1-041-230A	TXV	38,000	16.80	13.00	CX35-50/60C	SLP98UH110XV60C	8898496
EL16XC1-041-230A	TXV	37,600	15.55	12.50	CX35-50/60C		8898497
EL16XC1-041-230A	TXV	39,500	17.85	13.50	CX35-60C	EL180UH090E60C	8898505
EL16XC1-041-230A	TXV	39,000	17.80	13.50	CX35-60C	EL180UH110E60C	8898506
EL16XC1-041-230A	TXV	39,000	17.80	13.50	CX35-60C	EL180UH110XE60C	8898507
EL16XC1-041-230A	TXV	39,000	17.60	13.50	CX35-60C	EL195UH090XE48C	8898508
EL16XC1-041-230A	TXV	39,500	17.50	13.50	CX35-60C	EL195UH110XE60C	8898509
EL16XC1-041-230A	TXV	39,000	17.60	13.50	CX35-60C	EL296UH090XE48C	8898510
EL16XC1-041-230A	TXV	39,000	17.40	13.50	CX35-60C	EL296UH090XV36C	8898511
EL16XC1-041-230A	TXV	39,000	17.55	13.50	CX35-60C	EL296UH090XV48C	8898512
EL16XC1-041-230A	TXV	39,500	17.40	13.50	CX35-60C	EL296UH090XV60C	8898513
EL16XC1-041-230A	TXV	39,500	17.50	13.50	CX35-60C	EL296UH110XE60C	8898514
EL16XC1-041-230A	TXV	39,500	17.70	13.50	CX35-60C	EL296UH110XV60C	8898515
EL16XC1-041-230A	TXV	39,500	17.90	13.50	CX35-60C	SL280UH090V60C	8898516
EL16XC1-041-230A	TXV	39,000	17.50	13.50	CX35-60C	SL280UH110V60C	8898517
EL16XC1-041-230A	TXV	39,000	17.40	13.50	CX35-60C	SLP98UH090XV36C	8898518
EL16XC1-041-230A	TXV	39,000	17.55	13.50	CX35-60C	SLP98UH090XV48C	8898519
EL16XC1-041-230A	TXV	39,500	17.40	13.50	CX35-60C	SLP98UH090XV60C	8898520
EL16XC1-041-230A	TXV	39,500	17.70	13.50	CX35-60C	SLP98UH110XV60C	8898521
EL16XC1-041-230A	TXV	38,500	16.05	13.00	CX35-60C		8898504
EL16XC1-042-230A	RFC	40,500	14.00	12.20	C33-38B		8812888
EL16XC1-042-230A	RFC	40,500	14.00	12.20	C33-43B		8812903
EL16XC1-042-230A	RFC	40,500	14.00	12.20	C33-43C		8812925
EL16XC1-042-230A	RFC	41,000	14.25	12.20	C33-49		8812975
EL16XC1-042-230A	RFC	40,500	14.00	12.20	C33-50/60C		8812997
EL16XC1-042-230A	RFC	41,000	14.25	12.50	C33-60D		8813003
EL16XC1-042-230A	RFC	42,000	14.50	12.50	C33-62C		8813025
EL16XC1-042-230A	RFC	41,500	14.50	12.50	C33-62D		8813031
EL16XC1-042-230A	RFC	40,500	14.00	12.20	C35-36B		8813057
EL16XC1-042-230A	RFC	41,000	14.25	12.50	C35-48B		8813075
EL16XC1-042-230A	RFC	41,000	14.25	12.50	C35-49C		8813117
EL16XC1-042-230A	RFC	40,500	14.00	12.20	C35-50/60C		8813714
EL16XC1-042-230A	RFC	40,500	14.00	12.20	C35-60C		8813160
EL16XC1-042-230A	RFC	41,500	14.50	12.50	C35-60D		8813162
EL16XC1-042-230A	RFC	41,000	14.25	12.20	CH33-43C		8813240
EL16XC1-042-230A	RFC	41,500	14.50	12.50	CH33-49		8813289

NOTES:

TXV = Matched with Thermostatic Expansion Valve.

RFC = Matched with RFC metering device.

AHRI certified to AHRI Standard 210/240 (with 25 ft. of connecting refrigerant lines); 95°F outdoor air temperature, 80°F db / 67°F wb entering evaporator air. All ratings include the use of a blower time delay relay (TDR). All Lennox variable-speed furnaces and Air Handlers have time delay capabilities. Other Furnaces and Air Handlers may require an optional time delay relay (**58M81**) for field installation. See furnace or air handler specifications to determine if relay is needed.

Also see Expansion Valve Kit Usage Table.

AHRI SYSTEM MATCHES - ALL REGIONS - 018-024-030-041-042-047-048-060

NOTE - For the latest up-to-date system matches please visit the AHRI web site at <http://www.ahridirectory.org>

Model No.	Expansion Device	Capacity	SEER	EER	Coil or Air Handler	Furnace	AHRI Reference
EL16XC1-042-230A	RFC	41,500	14.50	12.50	CH33-50/60C		8813311
EL16XC1-042-230A	TXV	39,500	15.10	12.50	C33-36B	EL180UH090E48B	8812856
EL16XC1-042-230A	TXV	39,500	15.10	12.50	C33-36B	EL180UH090XE48B	8812857
EL16XC1-042-230A	TXV	39,500	14.50	12.50	C33-36B	SL280UH090V36B	8812858
EL16XC1-042-230A	TXV	39,500	14.50	12.50	C33-36B	SL280UH090V48B	8812859
EL16XC1-042-230A	TXV	39,500	14.50	12.50	C33-36B	SL280UH090XV48B	8812860
EL16XC1-042-230A	TXV	39,500	15.10	12.50	C33-36C	EL180UH090E60C	8812861
EL16XC1-042-230A	TXV	39,000	15.10	12.50	C33-36C	EL180UH110E60C	8812862
EL16XC1-042-230A	TXV	39,000	15.10	12.50	C33-36C	EL180UH110XE60C	8812863
EL16XC1-042-230A	TXV	39,000	15.10	12.50	C33-36C	EL195UH090XE48C	8812864
EL16XC1-042-230A	TXV	39,500	15.10	12.50	C33-36C	EL195UH110XE60C	8812865
EL16XC1-042-230A	TXV	39,000	15.10	12.50	C33-36C	EL296UH090XE48C	8812866
EL16XC1-042-230A	TXV	39,000	14.50	12.20	C33-36C	EL296UH090XV36C	8812867
EL16XC1-042-230A	TXV	39,000	15.10	12.50	C33-36C	EL296UH090XV48C	8812868
EL16XC1-042-230A	TXV	39,500	14.50	12.50	C33-36C	EL296UH090XV60C	8812869
EL16XC1-042-230A	TXV	39,500	15.10	12.50	C33-36C	EL296UH110XE60C	8812870
EL16XC1-042-230A	TXV	39,500	15.10	12.50	C33-36C	EL296UH110XV60C	8812871
EL16XC1-042-230A	TXV	39,500	15.10	12.50	C33-36C	SL280UH090V60C	8812872
EL16XC1-042-230A	TXV	39,500	15.10	12.50	C33-36C	SL280UH090XV60C	8812873
EL16XC1-042-230A	TXV	39,500	14.50	12.50	C33-36C	SL280UH110V60C	8812874
EL16XC1-042-230A	TXV	39,500	14.50	12.50	C33-36C	SL280UH110XV60C	8812875
EL16XC1-042-230A	TXV	39,000	14.50	12.20	C33-36C	SLP98UH090XV36C	8812876
EL16XC1-042-230A	TXV	39,000	15.10	12.50	C33-36C	SLP98UH090XV48C	8812877
EL16XC1-042-230A	TXV	39,500	14.50	12.50	C33-36C	SLP98UH090XV60C	8812878
EL16XC1-042-230A	TXV	39,500	15.10	12.50	C33-36C	SLP98UH110XV60C	8812879
EL16XC1-042-230A	TXV	41,000	15.50	12.50	C33-38B	EL180UH090E48B	8812880
EL16XC1-042-230A	TXV	41,000	15.50	12.50	C33-38B	EL180UH090XE48B	8812881
EL16XC1-042-230A	TXV	40,500	15.10	12.50	C33-38B	EL296UH045XV36B	8812882
EL16XC1-042-230A	TXV	40,500	14.50	12.50	C33-38B	EL296UH070XV36B	8812883
EL16XC1-042-230A	TXV	41,000	15.50	12.50	C33-38B	SL280UH090V36B	8812884
EL16XC1-042-230A	TXV	41,000	15.50	12.50	C33-38B	SL280UH090V48B	8812885
EL16XC1-042-230A	TXV	41,000	15.50	12.50	C33-38B	SL280UH090XV48B	8812886
EL16XC1-042-230A	TXV	40,500	14.50	12.50	C33-38B	SLP98UH070XV36B	8812887
EL16XC1-042-230A	TXV	40,500	14.50	12.20	C33-38B		8812889
EL16XC1-042-230A	TXV	39,500	15.10	12.50	C33-42	EL180UH090E48B	8812890
EL16XC1-042-230A	TXV	39,500	15.10	12.50	C33-42	EL180UH090XE48B	8812891
EL16XC1-042-230A	TXV	39,500	14.50	12.50	C33-42	SL280UH090V36B	8812892
EL16XC1-042-230A	TXV	39,500	14.50	12.50	C33-42	SL280UH090V48B	8812893
EL16XC1-042-230A	TXV	39,500	14.50	12.50	C33-42	SL280UH090XV48B	8812894
EL16XC1-042-230A	TXV	41,500	15.50	13.00	C33-43B	EL180UH090E48B	8812895
EL16XC1-042-230A	TXV	41,500	15.50	13.00	C33-43B	EL180UH090XE48B	8812896
EL16XC1-042-230A	TXV	41,000	15.10	12.50	C33-43B	EL296UH045XV36B	8812897
EL16XC1-042-230A	TXV	41,000	15.10	12.50	C33-43B	EL296UH070XV36B	8812898
EL16XC1-042-230A	TXV	41,000	15.50	12.50	C33-43B	SL280UH090V36B	8812899
EL16XC1-042-230A	TXV	41,000	15.50	12.50	C33-43B	SL280UH090V48B	8812900
EL16XC1-042-230A	TXV	41,000	15.50	12.50	C33-43B	SL280UH090XV48B	8812901
EL16XC1-042-230A	TXV	41,000	15.10	12.50	C33-43B	SLP98UH070XV36B	8812902
EL16XC1-042-230A	TXV	41,000	14.50	12.20	C33-43B		8812904
EL16XC1-042-230A	TXV	41,500	16.00	13.00	C33-43C	EL180UH090E60C	8812905

NOTES:

TXV = Matched with Thermostatic Expansion Valve.

RFC = Matched with RFC metering device.

AHRI certified to AHRI Standard 210/240 (with 25 ft. of connecting refrigerant lines); 95°F outdoor air temperature, 80°F db / 67°F wb entering evaporator air.

All ratings include the use of a blower time delay relay (TDR). All Lennox variable-speed furnaces and Air Handlers have time delay capabilities. Other Furnaces and Air Handlers may require an optional time delay relay (**58M81**) for field installation. See furnace or air handler specifications to determine if relay is needed.

Also see Expansion Valve Kit Usage Table.

AHRI SYSTEM MATCHES - ALL REGIONS - 018-024-030-041-042-047-048-060

NOTE - For the latest up-to-date system matches please visit the AHRI web site at <http://www.ahridirectory.org>

Model No.	Expansion Device	Capacity	SEER	EER	Coil or Air Handler	Furnace	AHRI Reference
EL16XC1-042-230A	TXV	41,500	16.00	13.00	C33-43C	EL180UH110E60C	8812906
EL16XC1-042-230A	TXV	41,500	16.00	13.00	C33-43C	EL180UH110XE60C	8812907
EL16XC1-042-230A	TXV	41,000	16.00	13.00	C33-43C	EL195UH090XE48C	8812908
EL16XC1-042-230A	TXV	41,500	16.00	13.00	C33-43C	EL195UH110XE60C	8812909
EL16XC1-042-230A	TXV	41,000	16.00	13.00	C33-43C	EL296UH090XE48C	8812910
EL16XC1-042-230A	TXV	41,000	15.50	13.00	C33-43C	EL296UH090XV36C	8812911
EL16XC1-042-230A	TXV	41,500	16.00	13.00	C33-43C	EL296UH090XV48C	8812912
EL16XC1-042-230A	TXV	41,500	15.50	13.00	C33-43C	EL296UH090XV60C	8812913
EL16XC1-042-230A	TXV	41,500	16.00	13.00	C33-43C	EL296UH110XE60C	8812914
EL16XC1-042-230A	TXV	41,500	16.00	13.00	C33-43C	EL296UH110XV48C	8812915
EL16XC1-042-230A	TXV	41,500	16.00	13.00	C33-43C	EL296UH110XV60C	8812916
EL16XC1-042-230A	TXV	41,500	16.00	13.00	C33-43C	SL280UH090V60C	8812917
EL16XC1-042-230A	TXV	41,500	16.00	13.00	C33-43C	SL280UH090XV60C	8812918
EL16XC1-042-230A	TXV	41,500	16.00	13.00	C33-43C	SL280UH110V60C	8812919
EL16XC1-042-230A	TXV	41,500	16.00	13.00	C33-43C	SL280UH110XV60C	8812920
EL16XC1-042-230A	TXV	41,000	15.50	13.00	C33-43C	SLP98UH090XV36C	8812921
EL16XC1-042-230A	TXV	41,500	16.00	13.00	C33-43C	SLP98UH090XV48C	8812922
EL16XC1-042-230A	TXV	41,500	15.50	13.00	C33-43C	SLP98UH090XV60C	8812923
EL16XC1-042-230A	TXV	41,500	16.00	13.00	C33-43C	SLP98UH110XV60C	8812924
EL16XC1-042-230A	TXV	41,000	14.50	12.20	C33-43C		8812926
EL16XC1-042-230A	TXV	40,500	15.50	12.50	C33-48B	EL180UH090E48B	8812927
EL16XC1-042-230A	TXV	40,500	15.50	12.50	C33-48B	EL180UH090XE48B	8812928
EL16XC1-042-230A	TXV	40,000	14.50	12.20	C33-48B	EL296UH045XV36B	8812929
EL16XC1-042-230A	TXV	40,000	14.50	12.20	C33-48B	EL296UH070XV36B	8812930
EL16XC1-042-230A	TXV	40,500	15.50	12.50	C33-48B	SL280UH090V36B	8812931
EL16XC1-042-230A	TXV	40,500	15.50	12.50	C33-48B	SL280UH090V48B	8812932
EL16XC1-042-230A	TXV	40,500	15.50	12.50	C33-48B	SL280UH090XV48B	8812933
EL16XC1-042-230A	TXV	40,000	14.50	12.20	C33-48B	SLP98UH070XV36B	8812934
EL16XC1-042-230A	TXV	40,500	15.50	13.00	C33-48C	EL180UH090E60C	8812935
EL16XC1-042-230A	TXV	40,500	15.50	13.00	C33-48C	EL180UH110E60C	8812936
EL16XC1-042-230A	TXV	40,500	15.50	13.00	C33-48C	EL180UH110XE60C	8812937
EL16XC1-042-230A	TXV	40,500	15.50	12.50	C33-48C	EL195UH090XE48C	8812938
EL16XC1-042-230A	TXV	41,000	15.50	12.50	C33-48C	EL195UH110XE60C	8812939
EL16XC1-042-230A	TXV	40,500	15.50	12.50	C33-48C	EL296UH090XE48C	8812940
EL16XC1-042-230A	TXV	40,500	15.10	12.50	C33-48C	EL296UH090XV36C	8812941
EL16XC1-042-230A	TXV	40,500	15.50	12.50	C33-48C	EL296UH090XV48C	8812942
EL16XC1-042-230A	TXV	41,000	15.10	12.50	C33-48C	EL296UH090XV60C	8812943
EL16XC1-042-230A	TXV	41,000	15.50	12.50	C33-48C	EL296UH110XE60C	8812944
EL16XC1-042-230A	TXV	40,500	15.50	12.50	C33-48C	EL296UH110XV48C	8812945
EL16XC1-042-230A	TXV	40,500	15.50	12.50	C33-48C	EL296UH110XV60C	8812946
EL16XC1-042-230A	TXV	41,000	15.50	12.50	C33-48C	SL280UH090V60C	8812947
EL16XC1-042-230A	TXV	41,000	15.50	12.50	C33-48C	SL280UH090XV60C	8812948
EL16XC1-042-230A	TXV	40,500	15.50	12.50	C33-48C	SL280UH110V60C	8812949
EL16XC1-042-230A	TXV	40,500	15.50	12.50	C33-48C	SL280UH110XV60C	8812950
EL16XC1-042-230A	TXV	40,500	15.10	12.50	C33-48C	SLP98UH090XV36C	8812951
EL16XC1-042-230A	TXV	40,500	15.50	12.50	C33-48C	SLP98UH090XV48C	8812952
EL16XC1-042-230A	TXV	41,000	15.10	12.50	C33-48C	SLP98UH090XV60C	8812953
EL16XC1-042-230A	TXV	40,500	15.50	12.50	C33-48C	SLP98UH110XV60C	8812954
EL16XC1-042-230A	TXV	42,000	16.00	13.00	C33-49	EL180UH090E60C	8812955

NOTES:

TXV = Matched with Thermostatic Expansion Valve.

RFC = Matched with RFC metering device.

AHRI certified to AHRI Standard 210/240 (with 25 ft. of connecting refrigerant lines); 95°F outdoor air temperature, 80°F db / 67°F wb entering evaporator air. All ratings include the use of a blower time delay relay (TDR). All Lennox variable-speed furnaces and Air Handlers have time delay capabilities. Other Furnaces and Air Handlers may require an optional time delay relay (**58M81**) for field installation. See furnace or air handler specifications to determine if relay is needed.

Also see Expansion Valve Kit Usage Table.

AHRI SYSTEM MATCHES - ALL REGIONS - 018-024-030-041-042-047-048-060

NOTE - For the latest up-to-date system matches please visit the AHRI web site at <http://www.ahridirectory.org>

Model No.	Expansion Device	Capacity	SEER	EER	Coil or Air Handler	Furnace	AHRI Reference
EL16XC1-042-230A	TXV	42,000	16.00	13.00	C33-49	EL180UH110E60C	8812956
EL16XC1-042-230A	TXV	42,000	16.00	13.00	C33-49	EL180UH110XE60C	8812957
EL16XC1-042-230A	TXV	41,500	16.00	13.00	C33-49	EL195UH090XE48C	8812958
EL16XC1-042-230A	TXV	42,000	16.00	13.00	C33-49	EL195UH110XE60C	8812959
EL16XC1-042-230A	TXV	41,500	16.00	13.00	C33-49	EL296UH090XE48C	8812960
EL16XC1-042-230A	TXV	41,500	16.00	13.00	C33-49	EL296UH090XV36C	8812961
EL16XC1-042-230A	TXV	41,500	16.00	13.00	C33-49	EL296UH090XV48C	8812962
EL16XC1-042-230A	TXV	42,000	16.00	13.00	C33-49	EL296UH090XV60C	8812963
EL16XC1-042-230A	TXV	42,000	16.00	13.00	C33-49	EL296UH110XE60C	8812964
EL16XC1-042-230A	TXV	42,000	16.00	13.00	C33-49	EL296UH110XV48C	8812965
EL16XC1-042-230A	TXV	42,000	16.00	13.00	C33-49	EL296UH110XV60C	8812966
EL16XC1-042-230A	TXV	42,000	16.00	13.00	C33-49	SL280UH090V60C	8812967
EL16XC1-042-230A	TXV	42,000	16.00	13.00	C33-49	SL280UH090XV60C	8812968
EL16XC1-042-230A	TXV	42,000	16.00	13.00	C33-49	SL280UH110V60C	8812969
EL16XC1-042-230A	TXV	42,000	16.00	13.00	C33-49	SL280UH110XV60C	8812970
EL16XC1-042-230A	TXV	41,500	16.00	13.00	C33-49	SLP98UH090XV36C	8812971
EL16XC1-042-230A	TXV	41,500	16.00	13.00	C33-49	SLP98UH090XV48C	8812972
EL16XC1-042-230A	TXV	42,000	16.00	13.00	C33-49	SLP98UH090XV60C	8812973
EL16XC1-042-230A	TXV	42,000	16.00	13.00	C33-49	SLP98UH110XV60C	8812974
EL16XC1-042-230A	TXV	41,500	14.50	12.50	C33-49		8812976
EL16XC1-042-230A	TXV	41,000	16.00	13.00	C33-50/60C	EL180UH090E60C	8812977
EL16XC1-042-230A	TXV	41,000	16.00	13.00	C33-50/60C	EL180UH110E60C	8812978
EL16XC1-042-230A	TXV	41,000	16.00	13.00	C33-50/60C	EL180UH110XE60C	8812979
EL16XC1-042-230A	TXV	41,000	15.50	13.00	C33-50/60C	EL195UH090XE48C	8812980
EL16XC1-042-230A	TXV	41,500	15.50	12.50	C33-50/60C	EL195UH110XE60C	8812981
EL16XC1-042-230A	TXV	41,000	15.50	13.00	C33-50/60C	EL296UH090XE48C	8812982
EL16XC1-042-230A	TXV	41,000	15.50	12.50	C33-50/60C	EL296UH090XV36C	8812983
EL16XC1-042-230A	TXV	41,000	15.50	12.50	C33-50/60C	EL296UH090XV48C	8812984
EL16XC1-042-230A	TXV	41,500	15.50	12.50	C33-50/60C	EL296UH090XV60C	8812985
EL16XC1-042-230A	TXV	41,500	15.50	12.50	C33-50/60C	EL296UH110XE60C	8812986
EL16XC1-042-230A	TXV	41,000	15.50	12.50	C33-50/60C	EL296UH110XV48C	8812987
EL16XC1-042-230A	TXV	41,000	15.50	12.50	C33-50/60C	EL296UH110XV60C	8812988
EL16XC1-042-230A	TXV	41,500	15.50	13.00	C33-50/60C	SL280UH090V60C	8812989
EL16XC1-042-230A	TXV	41,500	15.50	13.00	C33-50/60C	SL280UH090XV60C	8812990
EL16XC1-042-230A	TXV	41,000	15.50	12.50	C33-50/60C	SL280UH110V60C	8812991
EL16XC1-042-230A	TXV	41,000	15.50	12.50	C33-50/60C	SL280UH110XV60C	8812992
EL16XC1-042-230A	TXV	41,000	15.50	12.50	C33-50/60C	SLP98UH090XV36C	8812993
EL16XC1-042-230A	TXV	41,000	15.50	12.50	C33-50/60C	SLP98UH090XV48C	8812994
EL16XC1-042-230A	TXV	41,500	15.50	12.50	C33-50/60C	SLP98UH090XV60C	8812995
EL16XC1-042-230A	TXV	41,000	15.50	12.50	C33-50/60C	SLP98UH110XV60C	8812996
EL16XC1-042-230A	TXV	40,500	14.50	12.20	C33-50/60C		8812998
EL16XC1-042-230A	TXV	42,000	16.00	13.00	C33-60D	EL180UH135E60D	8812999
EL16XC1-042-230A	TXV	42,000	16.00	13.00	C33-60D	EL195UH135XE60D	8813000
EL16XC1-042-230A	TXV	42,000	16.00	13.00	C33-60D	EL296UH135XE60D	8813001
EL16XC1-042-230A	TXV	42,000	16.00	13.00	C33-60D	SL280UH135V60D	8813002
EL16XC1-042-230A	TXV	41,000	14.50	12.20	C33-60D		8813004
EL16XC1-042-230A	TXV	42,000	16.00	13.00	C33-62C	EL180UH090E60C	8813005
EL16XC1-042-230A	TXV	42,000	16.00	13.00	C33-62C	EL180UH110E60C	8813006
EL16XC1-042-230A	TXV	42,000	16.00	13.00	C33-62C	EL180UH110XE60C	8813007

NOTES:

TXV = Matched with Thermostatic Expansion Valve.

RFC = Matched with RFC metering device.

AHRI certified to AHRI Standard 210/240 (with 25 ft. of connecting refrigerant lines); 95°F outdoor air temperature, 80°F db / 67°F wb entering evaporator air.

All ratings include the use of a blower time delay relay (TDR). All Lennox variable-speed furnaces and Air Handlers have time delay capabilities. Other Furnaces and Air Handlers may require an optional time delay relay (**58M81**) for field installation. See furnace or air handler specifications to determine if relay is needed.

Also see Expansion Valve Kit Usage Table.

AHRI SYSTEM MATCHES - ALL REGIONS - 018-024-030-041-042-047-048-060

NOTE - For the latest up-to-date system matches please visit the AHRI web site at <http://www.ahridirectory.org>

Model No.	Expansion Device	Capacity	SEER	EER	Coil or Air Handler	Furnace	AHRI Reference
EL16XC1-042-230A	TXV	42,000	16.00	13.00	C33-62C	EL195UH090XE48C	8813008
EL16XC1-042-230A	TXV	42,000	16.00	13.00	C33-62C	EL195UH110XE60C	8813009
EL16XC1-042-230A	TXV	42,000	16.00	13.00	C33-62C	EL296UH090XE48C	8813010
EL16XC1-042-230A	TXV	42,000	16.00	13.00	C33-62C	EL296UH090XV36C	8813011
EL16XC1-042-230A	TXV	42,000	16.00	13.00	C33-62C	EL296UH090XV48C	8813012
EL16XC1-042-230A	TXV	42,000	16.00	13.00	C33-62C	EL296UH090XV60C	8813013
EL16XC1-042-230A	TXV	42,000	16.00	13.00	C33-62C	EL296UH110XE60C	8813014
EL16XC1-042-230A	TXV	42,000	16.00	13.00	C33-62C	EL296UH110XV48C	8813015
EL16XC1-042-230A	TXV	42,000	16.00	13.00	C33-62C	EL296UH110XV60C	8813016
EL16XC1-042-230A	TXV	42,000	16.00	13.00	C33-62C	SL280UH090V60C	8813017
EL16XC1-042-230A	TXV	42,000	16.00	13.00	C33-62C	SL280UH090XV60C	8813018
EL16XC1-042-230A	TXV	42,000	16.00	13.00	C33-62C	SL280UH110V60C	8813019
EL16XC1-042-230A	TXV	42,000	16.00	13.00	C33-62C	SL280UH110XV60C	8813020
EL16XC1-042-230A	TXV	42,000	16.00	13.00	C33-62C	SLP98UH090XV36C	8813021
EL16XC1-042-230A	TXV	42,000	16.00	13.00	C33-62C	SLP98UH090XV48C	8813022
EL16XC1-042-230A	TXV	42,000	16.00	13.00	C33-62C	SLP98UH090XV60C	8813023
EL16XC1-042-230A	TXV	42,000	16.00	13.00	C33-62C	SLP98UH110XV60C	8813024
EL16XC1-042-230A	TXV	42,000	15.10	12.50	C33-62C		8813026
EL16XC1-042-230A	TXV	42,000	16.00	13.00	C33-62D	EL180UH135E60D	8813027
EL16XC1-042-230A	TXV	42,000	16.00	13.00	C33-62D	EL195UH135XE60D	8813028
EL16XC1-042-230A	TXV	42,000	16.00	13.00	C33-62D	EL296UH135XE60D	8813029
EL16XC1-042-230A	TXV	42,000	16.00	13.00	C33-62D	SL280UH135V60D	8813030
EL16XC1-042-230A	TXV	41,500	14.50	12.50	C33-62D		8813032
EL16XC1-042-230A	TXV	39,500	15.10	12.50	C35-30/36B	EL180UH090E48B	8813033
EL16XC1-042-230A	TXV	39,500	15.10	12.50	C35-30/36B	EL180UH090XE48B	8813034
EL16XC1-042-230A	TXV	39,500	15.10	12.50	C35-30/36B	SL280UH090V36B	8813035
EL16XC1-042-230A	TXV	39,500	14.50	12.50	C35-30/36B	SL280UH090V48B	8813036
EL16XC1-042-230A	TXV	39,500	14.50	12.50	C35-30/36B	SL280UH090XV48B	8813037
EL16XC1-042-230A	TXV	39,500	15.10	12.50	C35-30/36C	EL180UH090E60C	8813038
EL16XC1-042-230A	TXV	39,500	15.10	12.50	C35-30/36C	EL180UH110E60C	8813039
EL16XC1-042-230A	TXV	39,500	15.10	12.50	C35-30/36C	EL180UH110XE60C	8813040
EL16XC1-042-230A	TXV	39,000	15.10	12.50	C35-30/36C	EL195UH090XE48C	8813041
EL16XC1-042-230A	TXV	39,500	15.10	12.50	C35-30/36C	EL195UH110XE60C	8813042
EL16XC1-042-230A	TXV	39,000	15.10	12.50	C35-30/36C	EL296UH090XE48C	8813043
EL16XC1-042-230A	TXV	39,000	14.50	12.20	C35-30/36C	EL296UH090XV36C	8813044
EL16XC1-042-230A	TXV	39,500	15.10	12.50	C35-30/36C	EL296UH090XV48C	8813045
EL16XC1-042-230A	TXV	39,500	14.50	12.50	C35-30/36C	EL296UH090XV60C	8813046
EL16XC1-042-230A	TXV	39,500	15.10	12.50	C35-30/36C	EL296UH110XE60C	8813047
EL16XC1-042-230A	TXV	39,500	15.10	12.50	C35-30/36C	EL296UH110XV60C	8813048
EL16XC1-042-230A	TXV	39,500	15.10	12.50	C35-30/36C	SL280UH090V60C	8813049
EL16XC1-042-230A	TXV	39,500	15.10	12.50	C35-30/36C	SL280UH090XV60C	8813050
EL16XC1-042-230A	TXV	39,500	15.10	12.50	C35-30/36C	SL280UH110V60C	8813051
EL16XC1-042-230A	TXV	39,500	15.10	12.50	C35-30/36C	SL280UH110XV60C	8813052
EL16XC1-042-230A	TXV	39,000	14.50	12.20	C35-30/36C	SLP98UH090XV36C	8813053
EL16XC1-042-230A	TXV	39,500	15.10	12.50	C35-30/36C	SLP98UH090XV48C	8813054
EL16XC1-042-230A	TXV	39,500	14.50	12.50	C35-30/36C	SLP98UH090XV60C	8813055
EL16XC1-042-230A	TXV	39,500	15.10	12.50	C35-30/36C	SLP98UH110XV60C	8813056
EL16XC1-042-230A	TXV	41,000	15.50	13.00	C35-36B	EL180UH090E48B	8813058
EL16XC1-042-230A	TXV	41,000	15.50	13.00	C35-36B	EL180UH090XE48B	8813059

NOTES:

TXV = Matched with Thermostatic Expansion Valve.

RFC = Matched with RFC metering device.

AHRI certified to AHRI Standard 210/240 (with 25 ft. of connecting refrigerant lines); 95°F outdoor air temperature, 80°F db / 67°F wb entering evaporator air.

All ratings include the use of a blower time delay relay (TDR). All Lennox variable-speed furnaces and Air Handlers have time delay capabilities. Other Furnaces and Air Handlers may require an optional time delay relay (**58M81**) for field installation. See furnace or air handler specifications to determine if relay is needed.

Also see Expansion Valve Kit Usage Table.

AHRI SYSTEM MATCHES - ALL REGIONS - 018-024-030-041-042-047-048-060

NOTE - For the latest up-to-date system matches please visit the AHRI web site at <http://www.ahridirectory.org>

Model No.	Expansion Device	Capacity	SEER	EER	Coil or Air Handler	Furnace	AHRI Reference
EL16XC1-042-230A	TXV	41,000	15.10	12.50	C35-36B	EL296UH045XV36B	8813060
EL16XC1-042-230A	TXV	41,000	15.10	12.50	C35-36B	EL296UH070XV36B	8813061
EL16XC1-042-230A	TXV	41,000	15.50	12.50	C35-36B	SL280UH090V36B	8813062
EL16XC1-042-230A	TXV	41,000	15.50	12.50	C35-36B	SL280UH090V48B	8813063
EL16XC1-042-230A	TXV	41,000	15.50	12.50	C35-36B	SL280UH090XV48B	8813064
EL16XC1-042-230A	TXV	41,000	15.10	12.50	C35-36B	SLP98UH070XV36B	8813065
EL16XC1-042-230A	TXV	41,000	14.50	12.20	C35-36B		8813066
EL16XC1-042-230A	TXV	41,500	16.00	13.00	C35-48B	EL180UH090E48B	8813067
EL16XC1-042-230A	TXV	41,500	16.00	13.00	C35-48B	EL180UH090XE48B	8813068
EL16XC1-042-230A	TXV	41,000	15.10	12.50	C35-48B	EL296UH045XV36B	8813069
EL16XC1-042-230A	TXV	41,000	15.10	12.50	C35-48B	EL296UH070XV36B	8813070
EL16XC1-042-230A	TXV	41,500	15.50	12.50	C35-48B	SL280UH090V36B	8813071
EL16XC1-042-230A	TXV	41,500	15.50	12.50	C35-48B	SL280UH090V48B	8813072
EL16XC1-042-230A	TXV	41,500	15.50	12.50	C35-48B	SL280UH090XV48B	8813073
EL16XC1-042-230A	TXV	41,000	15.10	12.50	C35-48B	SLP98UH070XV36B	8813074
EL16XC1-042-230A	TXV	41,500	16.00	13.00	C35-48C	EL180UH090E60C	8813077
EL16XC1-042-230A	TXV	41,500	16.00	13.00	C35-48C	EL180UH110E60C	8813078
EL16XC1-042-230A	TXV	41,500	16.00	13.00	C35-48C	EL180UH110XE60C	8813079
EL16XC1-042-230A	TXV	41,500	16.00	13.00	C35-48C	EL195UH090XE48C	8813080
EL16XC1-042-230A	TXV	41,500	16.00	13.00	C35-48C	EL195UH110XE60C	8813081
EL16XC1-042-230A	TXV	41,500	16.00	13.00	C35-48C	EL296UH090XE48C	8813082
EL16XC1-042-230A	TXV	41,500	15.50	13.00	C35-48C	EL296UH090XV36C	8813083
EL16XC1-042-230A	TXV	41,500	16.00	13.00	C35-48C	EL296UH090XV48C	8813084
EL16XC1-042-230A	TXV	41,500	15.50	13.00	C35-48C	EL296UH090XV60C	8813085
EL16XC1-042-230A	TXV	41,500	16.00	13.00	C35-48C	EL296UH110XE60C	8813086
EL16XC1-042-230A	TXV	41,500	16.00	13.00	C35-48C	EL296UH110XV48C	8813087
EL16XC1-042-230A	TXV	41,500	16.00	13.00	C35-48C	EL296UH110XV60C	8813088
EL16XC1-042-230A	TXV	42,000	16.00	13.00	C35-48C	SL280UH090V60C	8813089
EL16XC1-042-230A	TXV	42,000	16.00	13.00	C35-48C	SL280UH090XV60C	8813090
EL16XC1-042-230A	TXV	41,500	16.00	13.00	C35-48C	SL280UH110V60C	8813091
EL16XC1-042-230A	TXV	41,500	16.00	13.00	C35-48C	SL280UH110XV60C	8813092
EL16XC1-042-230A	TXV	41,500	15.50	13.00	C35-48C	SLP98UH090XV36C	8813093
EL16XC1-042-230A	TXV	41,500	16.00	13.00	C35-48C	SLP98UH090XV48C	8813094
EL16XC1-042-230A	TXV	41,500	15.50	13.00	C35-48C	SLP98UH090XV60C	8813095
EL16XC1-042-230A	TXV	41,500	16.00	13.00	C35-48C	SLP98UH110XV60C	8813096
EL16XC1-042-230A	TXV	41,000	14.50	12.20	C35-48C		8813076
EL16XC1-042-230A	TXV	42,000	16.00	13.00	C35-49C	EL180UH090E60C	8813097
EL16XC1-042-230A	TXV	42,000	16.00	13.00	C35-49C	EL180UH110E60C	8813098
EL16XC1-042-230A	TXV	42,000	16.00	13.00	C35-49C	EL180UH110XE60C	8813099
EL16XC1-042-230A	TXV	41,500	16.00	13.00	C35-49C	EL195UH090XE48C	8813100
EL16XC1-042-230A	TXV	42,000	16.00	13.00	C35-49C	EL195UH110XE60C	8813101
EL16XC1-042-230A	TXV	41,500	16.00	13.00	C35-49C	EL296UH090XE48C	8813102
EL16XC1-042-230A	TXV	41,500	16.00	13.00	C35-49C	EL296UH090XV36C	8813103
EL16XC1-042-230A	TXV	41,500	16.00	13.00	C35-49C	EL296UH090XV48C	8813104
EL16XC1-042-230A	TXV	42,000	16.00	13.00	C35-49C	EL296UH090XV60C	8813105
EL16XC1-042-230A	TXV	42,000	16.00	13.00	C35-49C	EL296UH110XE60C	8813106
EL16XC1-042-230A	TXV	42,000	16.00	13.00	C35-49C	EL296UH110XV48C	8813107
EL16XC1-042-230A	TXV	42,000	16.00	13.00	C35-49C	EL296UH110XV60C	8813108
EL16XC1-042-230A	TXV	42,000	16.00	13.00	C35-49C	SL280UH090V60C	8813109

NOTES:

TXV = Matched with Thermostatic Expansion Valve.

RFC = Matched with RFC metering device.

AHRI certified to AHRI Standard 210/240 (with 25 ft. of connecting refrigerant lines); 95°F outdoor air temperature, 80°F db / 67°F wb entering evaporator air.

All ratings include the use of a blower time delay relay (TDR). All Lennox variable-speed furnaces and Air Handlers have time delay capabilities. Other Furnaces and Air Handlers may require an optional time delay relay (**58M81**) for field installation. See furnace or air handler specifications to determine if relay is needed.

Also see Expansion Valve Kit Usage Table.

AHRI SYSTEM MATCHES - ALL REGIONS - 018-024-030-041-042-047-048-060

NOTE - For the latest up-to-date system matches please visit the AHRI web site at <http://www.ahridirectory.org>

Model No.	Expansion Device	Capacity	SEER	EER	Coil or Air Handler	Furnace	AHRI Reference
EL16XC1-042-230A	TXV	42,000	16.00	13.00	C35-49C	SL280UH090XV60C	8813110
EL16XC1-042-230A	TXV	42,000	16.00	13.00	C35-49C	SL280UH110V60C	8813111
EL16XC1-042-230A	TXV	42,000	16.00	13.00	C35-49C	SL280UH110XV60C	8813112
EL16XC1-042-230A	TXV	41,500	16.00	13.00	C35-49C	SLP98UH090XV36C	8813113
EL16XC1-042-230A	TXV	41,500	16.00	13.00	C35-49C	SLP98UH090XV48C	8813114
EL16XC1-042-230A	TXV	42,000	16.00	13.00	C35-49C	SLP98UH090XV60C	8813115
EL16XC1-042-230A	TXV	42,000	16.00	13.00	C35-49C	SLP98UH110XV60C	8813116
EL16XC1-042-230A	TXV	41,500	14.50	12.50	C35-49C		8813118
EL16XC1-042-230A	TXV	41,000	16.00	13.00	C35-50/60C	EL180UH090E60C	8813119
EL16XC1-042-230A	TXV	41,000	16.00	13.00	C35-50/60C	EL180UH110E60C	8813120
EL16XC1-042-230A	TXV	41,000	16.00	13.00	C35-50/60C	EL180UH110XE60C	8813121
EL16XC1-042-230A	TXV	41,000	15.50	13.00	C35-50/60C	EL195UH090XE48C	8813122
EL16XC1-042-230A	TXV	41,500	15.50	12.50	C35-50/60C	EL195UH110XE60C	8813123
EL16XC1-042-230A	TXV	41,000	15.50	13.00	C35-50/60C	EL296UH090XE48C	8813124
EL16XC1-042-230A	TXV	41,000	15.50	12.50	C35-50/60C	EL296UH090XV36C	8813125
EL16XC1-042-230A	TXV	41,000	15.50	12.50	C35-50/60C	EL296UH090XV48C	8813126
EL16XC1-042-230A	TXV	41,500	15.50	12.50	C35-50/60C	EL296UH090XV60C	8813127
EL16XC1-042-230A	TXV	41,500	15.50	12.50	C35-50/60C	EL296UH110XE60C	8813128
EL16XC1-042-230A	TXV	41,000	15.50	12.50	C35-50/60C	EL296UH110XV48C	8813129
EL16XC1-042-230A	TXV	41,000	15.50	12.50	C35-50/60C	EL296UH110XV60C	8813130
EL16XC1-042-230A	TXV	41,500	15.50	13.00	C35-50/60C	SL280UH090V60C	8813131
EL16XC1-042-230A	TXV	41,500	15.50	13.00	C35-50/60C	SL280UH090XV60C	8813132
EL16XC1-042-230A	TXV	41,000	15.50	12.50	C35-50/60C	SL280UH110V60C	8813133
EL16XC1-042-230A	TXV	41,000	15.50	12.50	C35-50/60C	SL280UH110XV60C	8813134
EL16XC1-042-230A	TXV	41,000	15.50	12.50	C35-50/60C	SLP98UH090XV36C	8813135
EL16XC1-042-230A	TXV	41,000	15.50	12.50	C35-50/60C	SLP98UH090XV48C	8813136
EL16XC1-042-230A	TXV	41,500	15.50	12.50	C35-50/60C	SLP98UH090XV60C	8813137
EL16XC1-042-230A	TXV	41,000	15.50	12.50	C35-50/60C	SLP98UH110XV60C	8813138
EL16XC1-042-230A	TXV	40,500	14.50	12.20	C35-50/60C		8813139
EL16XC1-042-230A	TXV	42,000	16.00	13.00	C35-60C	EL180UH090E60C	8813140
EL16XC1-042-230A	TXV	42,000	16.00	13.00	C35-60C	EL180UH110E60C	8813141
EL16XC1-042-230A	TXV	42,000	16.00	13.00	C35-60C	EL180UH110XE60C	8813142
EL16XC1-042-230A	TXV	42,000	16.00	13.00	C35-60C	EL195UH090XE48C	8813143
EL16XC1-042-230A	TXV	42,000	16.00	13.00	C35-60C	EL195UH110XE60C	8813144
EL16XC1-042-230A	TXV	42,000	16.00	13.00	C35-60C	EL296UH090XE48C	8813145
EL16XC1-042-230A	TXV	42,000	16.00	13.00	C35-60C	EL296UH090XV36C	8813146
EL16XC1-042-230A	TXV	42,000	16.00	13.00	C35-60C	EL296UH090XV48C	8813147
EL16XC1-042-230A	TXV	42,000	16.00	13.00	C35-60C	EL296UH090XV60C	8813148
EL16XC1-042-230A	TXV	42,000	16.00	13.00	C35-60C	EL296UH110XE60C	8813149
EL16XC1-042-230A	TXV	42,000	16.00	13.00	C35-60C	EL296UH110XV48C	8813150
EL16XC1-042-230A	TXV	42,000	16.00	13.00	C35-60C	EL296UH110XV60C	8813151
EL16XC1-042-230A	TXV	42,000	16.00	13.00	C35-60C	SL280UH090V60C	8813152
EL16XC1-042-230A	TXV	42,000	16.00	13.00	C35-60C	SL280UH090XV60C	8813153
EL16XC1-042-230A	TXV	42,000	16.00	13.00	C35-60C	SL280UH110V60C	8813154
EL16XC1-042-230A	TXV	42,000	16.00	13.00	C35-60C	SL280UH110XV60C	8813155
EL16XC1-042-230A	TXV	42,000	16.00	13.00	C35-60C	SLP98UH090XV36C	8813156
EL16XC1-042-230A	TXV	42,000	16.00	13.00	C35-60C	SLP98UH090XV48C	8813157
EL16XC1-042-230A	TXV	42,000	16.00	13.00	C35-60C	SLP98UH090XV60C	8813158
EL16XC1-042-230A	TXV	42,000	16.00	13.00	C35-60C	SLP98UH110XV60C	8813159

NOTES:

TXV = Matched with Thermostatic Expansion Valve.

RFC = Matched with RFC metering device.

AHRI certified to AHRI Standard 210/240 (with 25 ft. of connecting refrigerant lines); 95°F outdoor air temperature, 80°F db / 67°F wb entering evaporator air.

All ratings include the use of a blower time delay relay (TDR). All Lennox variable-speed furnaces and Air Handlers have time delay capabilities. Other Furnaces and Air Handlers may require an optional time delay relay (**58M81**) for field installation. See furnace or air handler specifications to determine if relay is needed.

Also see Expansion Valve Kit Usage Table.

AHRI SYSTEM MATCHES - ALL REGIONS - 018-024-030-041-042-047-048-060

NOTE - For the latest up-to-date system matches please visit the AHRI web site at <http://www.ahridirectory.org>

Model No.	Expansion Device	Capacity	SEER	EER	Coil or Air Handler	Furnace	AHRI Reference
EL16XC1-042-230A	TXV	42,000	15.10	12.50	C35-60C		8813161
EL16XC1-042-230A	TXV	42,000	16.00	13.00	C35-60D	EL180UH135E60D	8813163
EL16XC1-042-230A	TXV	42,000	16.00	13.00	C35-60D	EL195UH135XE60D	8813164
EL16XC1-042-230A	TXV	42,000	16.00	13.00	C35-60D	EL296UH135XE60D	8813165
EL16XC1-042-230A	TXV	42,000	16.00	13.00	C35-60D	SL280UH135V60D	8813166
EL16XC1-042-230A	TXV	41,500	14.50	12.50	C35-60D		8813167
EL16XC1-042-230A	TXV	41,000	15.10	12.50	CBX25UH-042		8813168
EL16XC1-042-230A	TXV	41,500	15.50	12.50	CBX25UH-048		8813169
EL16XC1-042-230A	TXV	41,500	16.00	13.00	CBX25UHV-042		8813170
EL16XC1-042-230A	TXV	42,000	16.00	13.00	CBX25UHV-048		8813171
EL16XC1-042-230A	TXV	42,000	16.00	13.00	CBX27UH-042		8813172
EL16XC1-042-230A	TXV	41,500	16.00	13.00	CBX27UH-048		8813173
EL16XC1-042-230A	TXV	40,000	14.50	12.50	CBX32M-042		8813174
EL16XC1-042-230A	TXV	41,500	15.10	12.50	CBX32M-048		8813175
EL16XC1-042-230A	TXV	42,000	16.00	13.00	CBX32MV-048		8813176
EL16XC1-042-230A	TXV	41,500	16.00	13.00	CBX40UHV-042		8813177
EL16XC1-042-230A	TXV	42,000	16.00	13.00	CBX40UHV-048		8813178
EL16XC1-042-230A	TXV	40,500	15.50	12.50	CH23-51	EL180UH090E60C	8813179
EL16XC1-042-230A	TXV	40,000	15.50	12.50	CH23-51	EL180UH110E60C	8813180
EL16XC1-042-230A	TXV	40,000	15.50	12.50	CH23-51	EL180UH110XE60C	8813181
EL16XC1-042-230A	TXV	40,000	15.50	12.50	CH23-51	EL296UH090XV48C	8813182
EL16XC1-042-230A	TXV	40,000	15.50	12.50	CH23-51	EL296UH090XV60C	8813183
EL16XC1-042-230A	TXV	40,000	15.50	12.50	CH23-51	EL296UH110XV48C	8813184
EL16XC1-042-230A	TXV	40,000	15.50	12.50	CH23-51	EL296UH110XV60C	8813185
EL16XC1-042-230A	TXV	40,500	15.50	12.50	CH23-51	SL280UH090V60C	8813186
EL16XC1-042-230A	TXV	40,000	15.50	12.50	CH23-51	SL280UH110V60C	8813187
EL16XC1-042-230A	TXV	40,000	15.50	12.50	CH23-51	SL280UH110XV60C	8813188
EL16XC1-042-230A	TXV	40,000	15.50	12.50	CH23-51	SLP98UH090XV48C	8813189
EL16XC1-042-230A	TXV	40,000	15.50	12.50	CH23-51	SLP98UH090XV60C	8813190
EL16XC1-042-230A	TXV	40,000	15.50	12.50	CH23-51	SLP98UH110XV60C	8813191
EL16XC1-042-230A	TXV	40,500	16.00	13.00	CH23-65	EL180UH090E60C	8813192
EL16XC1-042-230A	TXV	40,500	15.50	13.00	CH23-65	EL180UH110E60C	8813193
EL16XC1-042-230A	TXV	40,500	15.50	13.00	CH23-65	EL180UH110XE60C	8813194
EL16XC1-042-230A	TXV	40,500	15.50	12.50	CH23-65	EL296UH090XV48C	8813195
EL16XC1-042-230A	TXV	40,500	15.50	12.50	CH23-65	EL296UH090XV60C	8813196
EL16XC1-042-230A	TXV	40,500	15.50	12.50	CH23-65	EL296UH110XV48C	8813197
EL16XC1-042-230A	TXV	40,500	15.50	12.50	CH23-65	EL296UH110XV60C	8813198
EL16XC1-042-230A	TXV	41,000	16.00	13.00	CH23-65	SL280UH090V60C	8813199
EL16XC1-042-230A	TXV	40,500	15.50	13.00	CH23-65	SL280UH110V60C	8813200
EL16XC1-042-230A	TXV	40,500	15.50	13.00	CH23-65	SL280UH110XV60C	8813201
EL16XC1-042-230A	TXV	40,500	15.50	12.50	CH23-65	SLP98UH090XV48C	8813202
EL16XC1-042-230A	TXV	40,500	15.50	12.50	CH23-65	SLP98UH090XV60C	8813203
EL16XC1-042-230A	TXV	40,500	15.50	12.50	CH23-65	SLP98UH110XV60C	8813204
EL16XC1-042-230A	TXV	40,500	15.50	12.50	CH33-42	EL180UH090E48B	8813205
EL16XC1-042-230A	TXV	40,500	15.50	12.50	CH33-42	EL180UH090XE48B	8813206
EL16XC1-042-230A	TXV	40,000	14.50	12.20	CH33-42	EL296UH070XV36B	8813207
EL16XC1-042-230A	TXV	40,500	15.50	12.50	CH33-42	SL280UH090V36B	8813208
EL16XC1-042-230A	TXV	40,500	15.10	12.50	CH33-42	SL280UH090V48B	8813209
EL16XC1-042-230A	TXV	40,500	15.10	12.50	CH33-42	SL280UH090XV48B	8813210

NOTES:

TXV = Matched with Thermostatic Expansion Valve.

RFC = Matched with RFC metering device.

AHRI certified to AHRI Standard 210/240 (with 25 ft. of connecting refrigerant lines); 95°F outdoor air temperature, 80°F db / 67°F wb entering evaporator air.

All ratings include the use of a blower time delay relay (TDR). All Lennox variable-speed furnaces and Air Handlers have time delay capabilities. Other Furnaces and Air Handlers may require an optional time delay relay (**58M81**) for field installation. See furnace or air handler specifications to determine if relay is needed.

Also see Expansion Valve Kit Usage Table.

AHRI SYSTEM MATCHES - ALL REGIONS - 018-024-030-041-042-047-048-060

NOTE - For the latest up-to-date system matches please visit the AHRI web site at <http://www.ahridirectory.org>

Model No.	Expansion Device	Capacity	SEER	EER	Coil or Air Handler	Furnace	AHRI Reference
EL16XC1-042-230A	TXV	40,000	14.50	12.20	CH33-42	SLP98UH070XV36B	8813211
EL16XC1-042-230A	TXV	42,000	16.00	13.00	CH33-43B	EL180UH090E48B	8813212
EL16XC1-042-230A	TXV	42,000	16.00	13.00	CH33-43B	EL180UH090XE48B	8813213
EL16XC1-042-230A	TXV	41,500	15.50	12.50	CH33-43B	EL296UH045XV36B	8813214
EL16XC1-042-230A	TXV	41,500	15.10	12.50	CH33-43B	EL296UH070XV36B	8813215
EL16XC1-042-230A	TXV	42,000	16.00	13.00	CH33-43B	SL280UH090V36B	8813216
EL16XC1-042-230A	TXV	42,000	16.00	13.00	CH33-43B	SL280UH090V48B	8813217
EL16XC1-042-230A	TXV	42,000	16.00	13.00	CH33-43B	SL280UH090XV48B	8813218
EL16XC1-042-230A	TXV	41,500	15.10	12.50	CH33-43B	SLP98UH070XV36B	8813219
EL16XC1-042-230A	TXV	41,500	16.00	13.00	CH33-43C	EL180UH090E60C	8813220
EL16XC1-042-230A	TXV	41,500	16.00	13.00	CH33-43C	EL180UH110E60C	8813221
EL16XC1-042-230A	TXV	41,500	16.00	13.00	CH33-43C	EL180UH110XE60C	8813222
EL16XC1-042-230A	TXV	41,000	16.00	13.00	CH33-43C	EL195UH090XE48C	8813223
EL16XC1-042-230A	TXV	41,500	16.00	13.00	CH33-43C	EL195UH110XE60C	8813224
EL16XC1-042-230A	TXV	41,000	16.00	13.00	CH33-43C	EL296UH090XE48C	8813225
EL16XC1-042-230A	TXV	41,500	15.50	13.00	CH33-43C	EL296UH090XV36C	8813226
EL16XC1-042-230A	TXV	41,500	16.00	13.00	CH33-43C	EL296UH090XV48C	8813227
EL16XC1-042-230A	TXV	41,500	16.00	13.00	CH33-43C	EL296UH090XV60C	8813228
EL16XC1-042-230A	TXV	41,500	16.00	13.00	CH33-43C	EL296UH110XE60C	8813229
EL16XC1-042-230A	TXV	41,500	16.00	13.00	CH33-43C	EL296UH110XV48C	8813230
EL16XC1-042-230A	TXV	41,500	16.00	13.00	CH33-43C	EL296UH110XV60C	8813231
EL16XC1-042-230A	TXV	42,000	16.00	13.00	CH33-43C	SL280UH090V60C	8813232
EL16XC1-042-230A	TXV	42,000	16.00	13.00	CH33-43C	SL280UH090XV60C	8813233
EL16XC1-042-230A	TXV	41,500	16.00	13.00	CH33-43C	SL280UH110V60C	8813234
EL16XC1-042-230A	TXV	41,500	16.00	13.00	CH33-43C	SL280UH110XV60C	8813235
EL16XC1-042-230A	TXV	41,500	15.50	13.00	CH33-43C	SLP98UH090XV36C	8813236
EL16XC1-042-230A	TXV	41,500	16.00	13.00	CH33-43C	SLP98UH090XV48C	8813237
EL16XC1-042-230A	TXV	41,500	16.00	13.00	CH33-43C	SLP98UH090XV60C	8813238
EL16XC1-042-230A	TXV	41,500	16.00	13.00	CH33-43C	SLP98UH110XV60C	8813239
EL16XC1-042-230A	TXV	41,000	14.50	12.20	CH33-43C		8813241
EL16XC1-042-230A	TXV	41,000	15.50	12.50	CH33-44/48B	EL180UH090E48B	8813242
EL16XC1-042-230A	TXV	41,000	15.50	12.50	CH33-44/48B	EL180UH090XE48B	8813243
EL16XC1-042-230A	TXV	40,500	14.50	12.50	CH33-44/48B	EL296UH070XV36B	8813244
EL16XC1-042-230A	TXV	41,000	15.50	12.50	CH33-44/48B	SL280UH090V36B	8813245
EL16XC1-042-230A	TXV	41,000	15.50	12.50	CH33-44/48B	SL280UH090V48B	8813246
EL16XC1-042-230A	TXV	41,000	15.50	12.50	CH33-44/48B	SL280UH090XV48B	8813247
EL16XC1-042-230A	TXV	40,500	14.50	12.50	CH33-44/48B	SLP98UH070XV36B	9150355
EL16XC1-042-230A	TXV	41,000	16.00	13.00	CH33-48C	EL180UH090E60C	8813249
EL16XC1-042-230A	TXV	41,000	16.00	13.00	CH33-48C	EL180UH110E60C	8813250
EL16XC1-042-230A	TXV	41,000	16.00	13.00	CH33-48C	EL180UH110XE60C	8813251
EL16XC1-042-230A	TXV	41,000	15.50	13.00	CH33-48C	EL195UH090XE48C	8813252
EL16XC1-042-230A	TXV	41,500	15.50	12.50	CH33-48C	EL195UH110XE60C	8813253
EL16XC1-042-230A	TXV	41,000	15.50	13.00	CH33-48C	EL296UH090XE48C	8813254
EL16XC1-042-230A	TXV	41,000	15.50	12.50	CH33-48C	EL296UH090XV36C	8813255
EL16XC1-042-230A	TXV	41,000	15.50	12.50	CH33-48C	EL296UH090XV48C	8813256
EL16XC1-042-230A	TXV	41,500	15.50	12.50	CH33-48C	EL296UH090XV60C	8813257
EL16XC1-042-230A	TXV	41,500	15.50	12.50	CH33-48C	EL296UH110XE60C	8813258
EL16XC1-042-230A	TXV	41,000	15.50	12.50	CH33-48C	EL296UH110XV48C	8813259
EL16XC1-042-230A	TXV	41,000	15.50	12.50	CH33-48C	EL296UH110XV60C	8813260

NOTES:

TXV = Matched with Thermostatic Expansion Valve.

RFC = Matched with RFC metering device.

AHRI certified to AHRI Standard 210/240 (with 25 ft. of connecting refrigerant lines); 95°F outdoor air temperature, 80°F db / 67°F wb entering evaporator air. All ratings include the use of a blower time delay relay (TDR). All Lennox variable-speed furnaces and Air Handlers have time delay capabilities. Other Furnaces and Air Handlers may require an optional time delay relay (**58M81**) for field installation. See furnace or air handler specifications to determine if relay is needed.

Also see Expansion Valve Kit Usage Table.

AHRI SYSTEM MATCHES - ALL REGIONS - 018-024-030-041-042-047-048-060

NOTE - For the latest up-to-date system matches please visit the AHRI web site at <http://www.ahridirectory.org>

Model No.	Expansion Device	Capacity	SEER	EER	Coil or Air Handler	Furnace	AHRI Reference
EL16XC1-042-230A	TXV	41,500	15.50	13.00	CH33-48C	SL280UH090V60C	8813261
EL16XC1-042-230A	TXV	41,500	15.50	13.00	CH33-48C	SL280UH090XV60C	8813262
EL16XC1-042-230A	TXV	41,000	15.50	12.50	CH33-48C	SL280UH110V60C	8813263
EL16XC1-042-230A	TXV	41,000	15.50	12.50	CH33-48C	SL280UH110XV60C	8813264
EL16XC1-042-230A	TXV	41,000	15.50	12.50	CH33-48C	SLP98UH090XV36C	8813265
EL16XC1-042-230A	TXV	41,000	15.50	12.50	CH33-48C	SLP98UH090XV48C	8813266
EL16XC1-042-230A	TXV	41,500	15.50	12.50	CH33-48C	SLP98UH090XV60C	8813267
EL16XC1-042-230A	TXV	41,000	15.50	12.50	CH33-48C	SLP98UH110XV60C	8813268
EL16XC1-042-230A	TXV	42,000	16.00	13.00	CH33-49	EL180UH090E60C	8813269
EL16XC1-042-230A	TXV	42,000	16.00	13.00	CH33-49	EL180UH110E60C	8813270
EL16XC1-042-230A	TXV	42,000	16.00	13.00	CH33-49	EL180UH110XE60C	8813271
EL16XC1-042-230A	TXV	41,500	16.00	13.00	CH33-49	EL195UH090XE48C	8813272
EL16XC1-042-230A	TXV	42,000	16.00	13.00	CH33-49	EL195UH110XE60C	8813273
EL16XC1-042-230A	TXV	41,500	16.00	13.00	CH33-49	EL296UH090XE48C	8813274
EL16XC1-042-230A	TXV	41,500	15.50	13.00	CH33-49	EL296UH090XV36C	8813275
EL16XC1-042-230A	TXV	42,000	16.00	13.00	CH33-49	EL296UH090XV48C	8813276
EL16XC1-042-230A	TXV	42,000	15.50	13.00	CH33-49	EL296UH090XV60C	8813277
EL16XC1-042-230A	TXV	42,000	16.00	13.00	CH33-49	EL296UH110XE60C	8813278
EL16XC1-042-230A	TXV	42,000	16.00	13.00	CH33-49	EL296UH110XV48C	8813279
EL16XC1-042-230A	TXV	42,000	16.00	13.00	CH33-49	EL296UH110XV60C	8813280
EL16XC1-042-230A	TXV	42,000	16.00	13.00	CH33-49	SL280UH090V60C	8813281
EL16XC1-042-230A	TXV	42,000	16.00	13.00	CH33-49	SL280UH090XV60C	8813282
EL16XC1-042-230A	TXV	42,000	16.00	13.00	CH33-49	SL280UH110V60C	8813283
EL16XC1-042-230A	TXV	42,000	16.00	13.00	CH33-49	SL280UH110XV60C	8813284
EL16XC1-042-230A	TXV	41,500	15.50	13.00	CH33-49	SLP98UH090XV36C	8813285
EL16XC1-042-230A	TXV	42,000	16.00	13.00	CH33-49	SLP98UH090XV48C	8813286
EL16XC1-042-230A	TXV	42,000	15.50	13.00	CH33-49	SLP98UH090XV60C	8813287
EL16XC1-042-230A	TXV	42,000	16.00	13.00	CH33-49	SLP98UH110XV60C	8813288
EL16XC1-042-230A	TXV	41,500	14.50	12.50	CH33-49		8813290
EL16XC1-042-230A	TXV	41,500	16.00	13.00	CH33-50/60C	EL180UH090E60C	8813291
EL16XC1-042-230A	TXV	41,500	16.00	13.00	CH33-50/60C	EL180UH110E60C	8813292
EL16XC1-042-230A	TXV	41,500	16.00	13.00	CH33-50/60C	EL180UH110XE60C	8813293
EL16XC1-042-230A	TXV	41,500	16.00	13.00	CH33-50/60C	EL195UH090XE48C	8813294
EL16XC1-042-230A	TXV	42,000	16.00	13.00	CH33-50/60C	EL195UH110XE60C	8813295
EL16XC1-042-230A	TXV	41,500	16.00	13.00	CH33-50/60C	EL296UH090XE48C	8813296
EL16XC1-042-230A	TXV	41,500	15.50	12.50	CH33-50/60C	EL296UH090XV36C	8813297
EL16XC1-042-230A	TXV	41,500	16.00	13.00	CH33-50/60C	EL296UH090XV48C	8813298
EL16XC1-042-230A	TXV	42,000	15.50	12.50	CH33-50/60C	EL296UH090XV60C	8813299
EL16XC1-042-230A	TXV	42,000	16.00	13.00	CH33-50/60C	EL296UH110XE60C	8813300
EL16XC1-042-230A	TXV	41,500	16.00	13.00	CH33-50/60C	EL296UH110XV48C	8813301
EL16XC1-042-230A	TXV	41,500	16.00	13.00	CH33-50/60C	EL296UH110XV60C	8813302
EL16XC1-042-230A	TXV	42,000	16.00	13.00	CH33-50/60C	SL280UH090V60C	8813303
EL16XC1-042-230A	TXV	42,000	16.00	13.00	CH33-50/60C	SL280UH090XV60C	8813304
EL16XC1-042-230A	TXV	41,500	15.50	13.00	CH33-50/60C	SL280UH110V60C	8813305
EL16XC1-042-230A	TXV	41,500	16.00	13.00	CH33-50/60C	SL280UH110XV60C	8813306
EL16XC1-042-230A	TXV	41,500	15.50	12.50	CH33-50/60C	SLP98UH090XV36C	8813307
EL16XC1-042-230A	TXV	41,500	16.00	13.00	CH33-50/60C	SLP98UH090XV48C	8813308
EL16XC1-042-230A	TXV	42,000	15.50	12.50	CH33-50/60C	SLP98UH090XV60C	8813309
EL16XC1-042-230A	TXV	41,500	16.00	13.00	CH33-50/60C	SLP98UH110XV60C	8813310

NOTES:

TXV = Matched with Thermostatic Expansion Valve.

RFC = Matched with RFC metering device.

AHRI certified to AHRI Standard 210/240 (with 25 ft. of connecting refrigerant lines); 95°F outdoor air temperature, 80°F db / 67°F wb entering evaporator air.

All ratings include the use of a blower time delay relay (TDR). All Lennox variable-speed furnaces and Air Handlers have time delay capabilities. Other Furnaces and Air Handlers may require an optional time delay relay (**58M81**) for field installation. See furnace or air handler specifications to determine if relay is needed.

Also see Expansion Valve Kit Usage Table.

AHRI SYSTEM MATCHES - ALL REGIONS - 018-024-030-041-042-047-048-060

NOTE - For the latest up-to-date system matches please visit the AHRI web site at <http://www.ahridirectory.org>

Model No.	Expansion Device	Capacity	SEER	EER	Coil or Air Handler	Furnace	AHRI Reference
EL16XC1-042-230A	TXV	41,000	14.50	12.20	CH33-50/60C		8813312
EL16XC1-042-230A	TXV	42,000	16.00	13.00	CH35-42B	EL180UH090E48B	8813313
EL16XC1-042-230A	TXV	42,000	16.00	13.00	CH35-42B	EL180UH090XE48B	8813314
EL16XC1-042-230A	TXV	41,500	15.50	12.50	CH35-42B	EL296UH045XV36B	8813315
EL16XC1-042-230A	TXV	41,500	15.10	12.50	CH35-42B	EL296UH070XV36B	8813316
EL16XC1-042-230A	TXV	42,000	16.00	13.00	CH35-42B	SL280UH090V36B	8813317
EL16XC1-042-230A	TXV	42,000	16.00	13.00	CH35-42B	SL280UH090V48B	8813318
EL16XC1-042-230A	TXV	42,000	16.00	13.00	CH35-42B	SL280UH090XV48B	8813319
EL16XC1-042-230A	TXV	41,500	15.10	12.50	CH35-42B	SLP98UH070XV36B	8813320
EL16XC1-042-230A	TXV	41,500	16.00	13.00	CH35-42C	EL180UH090E60C	8813321
EL16XC1-042-230A	TXV	41,500	16.00	13.00	CH35-42C	EL180UH110E60C	8813322
EL16XC1-042-230A	TXV	41,500	16.00	13.00	CH35-42C	EL180UH110XE60C	8813323
EL16XC1-042-230A	TXV	41,500	16.00	13.00	CH35-42C	EL195UH090XE48C	8813324
EL16XC1-042-230A	TXV	42,000	16.00	13.00	CH35-42C	EL195UH110XE60C	8813325
EL16XC1-042-230A	TXV	41,500	16.00	13.00	CH35-42C	EL296UH090XE48C	8813326
EL16XC1-042-230A	TXV	41,500	16.00	13.00	CH35-42C	EL296UH090XV36C	8813327
EL16XC1-042-230A	TXV	41,500	16.00	13.00	CH35-42C	EL296UH090XV48C	8813328
EL16XC1-042-230A	TXV	42,000	16.00	13.00	CH35-42C	EL296UH090XV60C	8813329
EL16XC1-042-230A	TXV	42,000	16.00	13.00	CH35-42C	EL296UH110XE60C	8813330
EL16XC1-042-230A	TXV	41,500	16.00	13.00	CH35-42C	EL296UH110XV48C	8813331
EL16XC1-042-230A	TXV	41,500	16.00	13.00	CH35-42C	EL296UH110XV60C	8813332
EL16XC1-042-230A	TXV	42,000	16.00	13.00	CH35-42C	SL280UH090V60C	8813333
EL16XC1-042-230A	TXV	42,000	16.00	13.00	CH35-42C	SL280UH090XV60C	8813334
EL16XC1-042-230A	TXV	41,500	16.00	13.00	CH35-42C	SL280UH110V60C	8813335
EL16XC1-042-230A	TXV	41,500	16.00	13.00	CH35-42C	SL280UH110XV60C	8813336
EL16XC1-042-230A	TXV	41,500	16.00	13.00	CH35-42C	SLP98UH090XV36C	8813337
EL16XC1-042-230A	TXV	41,500	16.00	13.00	CH35-42C	SLP98UH090XV48C	8813338
EL16XC1-042-230A	TXV	42,000	16.00	13.00	CH35-42C	SLP98UH090XV60C	8813339
EL16XC1-042-230A	TXV	41,500	16.00	13.00	CH35-42C	SLP98UH110XV60C	8813340
EL16XC1-042-230A	TXV	41,000	14.25	12.20	CH35-42C		8813341
EL16XC1-042-230A	TXV	41,500	15.50	13.00	CH35-48B	EL180UH090E48B	8813342
EL16XC1-042-230A	TXV	41,500	15.50	13.00	CH35-48B	EL180UH090XE48B	8813343
EL16XC1-042-230A	TXV	41,000	15.10	12.50	CH35-48B	EL296UH045XV36B	8813344
EL16XC1-042-230A	TXV	41,000	15.10	12.50	CH35-48B	EL296UH070XV36B	8813345
EL16XC1-042-230A	TXV	41,500	15.50	12.50	CH35-48B	SL280UH090V36B	8813346
EL16XC1-042-230A	TXV	41,500	15.50	12.50	CH35-48B	SL280UH090V48B	8813347
EL16XC1-042-230A	TXV	41,500	15.50	12.50	CH35-48B	SL280UH090XV48B	8813348
EL16XC1-042-230A	TXV	41,000	15.10	12.50	CH35-48B	SLP98UH070XV36B	8813349
EL16XC1-042-230A	TXV	41,500	16.00	13.00	CH35-48C	EL180UH090E60C	8813350
EL16XC1-042-230A	TXV	41,500	16.00	13.00	CH35-48C	EL180UH110E60C	8813351
EL16XC1-042-230A	TXV	41,500	16.00	13.00	CH35-48C	EL180UH110XE60C	8813352
EL16XC1-042-230A	TXV	41,000	15.50	13.00	CH35-48C	EL195UH090XE48C	8813353
EL16XC1-042-230A	TXV	41,500	15.50	13.00	CH35-48C	EL195UH110XE60C	8813354
EL16XC1-042-230A	TXV	41,000	15.50	13.00	CH35-48C	EL296UH090XE48C	8813355
EL16XC1-042-230A	TXV	41,000	15.50	12.50	CH35-48C	EL296UH090XV36C	8813356
EL16XC1-042-230A	TXV	41,500	15.50	13.00	CH35-48C	EL296UH090XV48C	8813357
EL16XC1-042-230A	TXV	41,500	15.50	12.50	CH35-48C	EL296UH090XV60C	8813358
EL16XC1-042-230A	TXV	41,500	15.50	13.00	CH35-48C	EL296UH110XE60C	8813359
EL16XC1-042-230A	TXV	41,500	15.50	13.00	CH35-48C	EL296UH110XV48C	8813360

NOTES:

TXV = Matched with Thermostatic Expansion Valve.

RFC = Matched with RFC metering device.

AHRI certified to AHRI Standard 210/240 (with 25 ft. of connecting refrigerant lines); 95°F outdoor air temperature, 80°F db / 67°F wb entering evaporator air.

All ratings include the use of a blower time delay relay (TDR). All Lennox variable-speed furnaces and Air Handlers have time delay capabilities. Other Furnaces and Air Handlers may require an optional time delay relay (**58M81**) for field installation. See furnace or air handler specifications to determine if relay is needed.

Also see Expansion Valve Kit Usage Table.

AHRI SYSTEM MATCHES - ALL REGIONS - 018-024-030-041-042-047-048-060

NOTE - For the latest up-to-date system matches please visit the AHRI web site at <http://www.ahridirectory.org>

Model No.	Expansion Device	Capacity	SEER	EER	Coil or Air Handler	Furnace	AHRI Reference
EL16XC1-042-230A	TXV	41,500	15.50	13.00	CH35-48C	EL296UH110XV60C	8813361
EL16XC1-042-230A	TXV	41,500	16.00	13.00	CH35-48C	SL280UH090V60C	8813362
EL16XC1-042-230A	TXV	41,500	16.00	13.00	CH35-48C	SL280UH090XV60C	8813363
EL16XC1-042-230A	TXV	41,500	15.50	12.50	CH35-48C	SL280UH110V60C	8813364
EL16XC1-042-230A	TXV	41,500	15.50	12.50	CH35-48C	SL280UH110XV60C	8813365
EL16XC1-042-230A	TXV	41,000	15.50	12.50	CH35-48C	SLP98UH090XV36C	8813366
EL16XC1-042-230A	TXV	41,500	15.50	13.00	CH35-48C	SLP98UH090XV48C	8813367
EL16XC1-042-230A	TXV	41,500	15.50	12.50	CH35-48C	SLP98UH090XV60C	8813368
EL16XC1-042-230A	TXV	41,500	15.50	13.00	CH35-48C	SLP98UH110XV60C	8813369
EL16XC1-042-230A	TXV	41,000	14.25	12.20	CH35-48C		8813370
EL16XC1-042-230A	TXV	42,000	16.00	13.00	CH35-51C	EL180UH090E60C	8813371
EL16XC1-042-230A	TXV	42,000	16.00	13.00	CH35-51C	EL180UH110E60C	8813372
EL16XC1-042-230A	TXV	42,000	16.00	13.00	CH35-51C	EL180UH110XE60C	8813373
EL16XC1-042-230A	TXV	41,500	16.00	13.00	CH35-51C	EL195UH090XE48C	8813374
EL16XC1-042-230A	TXV	42,000	16.00	13.00	CH35-51C	EL195UH110XE60C	8813375
EL16XC1-042-230A	TXV	41,500	16.00	13.00	CH35-51C	EL296UH090XE48C	8813376
EL16XC1-042-230A	TXV	41,500	15.50	13.00	CH35-51C	EL296UH090XV36C	8813377
EL16XC1-042-230A	TXV	42,000	16.00	13.00	CH35-51C	EL296UH090XV48C	8813378
EL16XC1-042-230A	TXV	42,000	15.50	13.00	CH35-51C	EL296UH090XV60C	8813379
EL16XC1-042-230A	TXV	42,000	16.00	13.00	CH35-51C	EL296UH110XE60C	8813380
EL16XC1-042-230A	TXV	42,000	16.00	13.00	CH35-51C	EL296UH110XV48C	8813381
EL16XC1-042-230A	TXV	42,000	16.00	13.00	CH35-51C	EL296UH110XV60C	8813382
EL16XC1-042-230A	TXV	42,000	16.00	13.00	CH35-51C	SL280UH090V60C	8813383
EL16XC1-042-230A	TXV	42,000	16.00	13.00	CH35-51C	SL280UH090XV60C	8813384
EL16XC1-042-230A	TXV	42,000	16.00	13.00	CH35-51C	SL280UH110V60C	8813385
EL16XC1-042-230A	TXV	42,000	16.00	13.00	CH35-51C	SL280UH110XV60C	8813386
EL16XC1-042-230A	TXV	41,500	15.50	13.00	CH35-51C	SLP98UH090XV36C	8813387
EL16XC1-042-230A	TXV	42,000	16.00	13.00	CH35-51C	SLP98UH090XV48C	8813388
EL16XC1-042-230A	TXV	42,000	15.50	13.00	CH35-51C	SLP98UH090XV60C	8813389
EL16XC1-042-230A	TXV	42,000	16.00	13.00	CH35-51C	SLP98UH110XV60C	8813390
EL16XC1-042-230A	TXV	41,500	14.50	12.50	CH35-51C		8813391
EL16XC1-042-230A	TXV	40,500	15.50	12.50	CR33-48	EL180DF110E60C	8813393
EL16XC1-042-230A	TXV	40,500	15.50	12.50	CR33-48	EL195DF090XE48C	8813394
EL16XC1-042-230A	TXV	40,500	15.50	12.50	CR33-48	EL195DF110XE60C	8813395
EL16XC1-042-230A	TXV	40,500	15.50	12.50	CR33-48	EL296DF090XE48C	8813396
EL16XC1-042-230A	TXV	40,500	15.10	12.50	CR33-48	EL296DF090XV60C	8813397
EL16XC1-042-230A	TXV	40,500	15.50	12.50	CR33-48	EL296DF110XE60C	8813398
EL16XC1-042-230A	TXV	40,500	15.10	12.50	CR33-48	SL280DF090V48B	8813392
EL16XC1-042-230A	TXV	40,500	15.50	12.50	CR33-48	SL280DF090V60C	8813399
EL16XC1-042-230A	TXV	40,500	15.50	12.50	CR33-48	SL280DF110V60C	8813400
EL16XC1-042-230A	TXV	40,500	15.10	12.50	CR33-48	SLP98DF090XV48C	8813401
EL16XC1-042-230A	TXV	40,500	15.10	12.50	CR33-48	SLP98DF090XV60C	8813402
EL16XC1-042-230A	TXV	41,500	16.00	13.00	CR33-50/60	EL180DF110E60C	8813403
EL16XC1-042-230A	TXV	41,000	15.50	13.00	CR33-50/60	EL195DF090XE48C	8813404
EL16XC1-042-230A	TXV	41,500	16.00	13.00	CR33-50/60	EL195DF110XE60C	8813405
EL16XC1-042-230A	TXV	41,000	15.50	13.00	CR33-50/60	EL296DF090XE48C	8813406
EL16XC1-042-230A	TXV	41,500	15.50	12.50	CR33-50/60	EL296DF090XV60C	8813407
EL16XC1-042-230A	TXV	41,500	16.00	13.00	CR33-50/60	EL296DF110XE60C	8813408
EL16XC1-042-230A	TXV	41,500	16.00	13.00	CR33-50/60	EL296DF110XV60C	8813409

NOTES:

TXV = Matched with Thermostatic Expansion Valve.

RFC = Matched with RFC metering device.

AHRI certified to AHRI Standard 210/240 (with 25 ft. of connecting refrigerant lines); 95°F outdoor air temperature, 80°F db / 67°F wb entering evaporator air.

All ratings include the use of a blower time delay relay (TDR). All Lennox variable-speed furnaces and Air Handlers have time delay capabilities. Other Furnaces and Air Handlers may require an optional time delay relay (**58M81**) for field installation. See furnace or air handler specifications to determine if relay is needed.

Also see Expansion Valve Kit Usage Table.

AHRI SYSTEM MATCHES - ALL REGIONS - 018-024-030-041-042-047-048-060

NOTE - For the latest up-to-date system matches please visit the AHRI web site at <http://www.ahridirectory.org>

Model No.	Expansion Device	Capacity	SEER	EER	Coil or Air Handler	Furnace	AHRI Reference
EL16XC1-042-230A	TXV	41,500	16.00	13.00	CR33-50/60	SL280DF090V60C	8813410
EL16XC1-042-230A	TXV	41,500	16.00	13.00	CR33-50/60	SL280DF110V60C	8813411
EL16XC1-042-230A	TXV	41,000	15.50	12.50	CR33-50/60	SLP98DF090XV36C	8813412
EL16XC1-042-230A	TXV	41,500	15.50	12.50	CR33-50/60	SLP98DF090XV48C	8813413
EL16XC1-042-230A	TXV	41,500	15.50	12.50	CR33-50/60	SLP98DF090XV60C	8813414
EL16XC1-042-230A	TXV	41,500	16.00	13.00	CR33-50/60	SLP98DF110XV60C	8813415
EL16XC1-042-230A	TXV	39,500	15.10	12.50	CX34-36B	EL180UH090E48B	8813416
EL16XC1-042-230A	TXV	39,500	15.10	12.50	CX34-36B	EL180UH090XE48B	8813417
EL16XC1-042-230A	TXV	39,500	14.50	12.50	CX34-36B	SL280UH090V36B	8813418
EL16XC1-042-230A	TXV	39,500	14.50	12.50	CX34-36B	SL280UH090V48B	8813419
EL16XC1-042-230A	TXV	39,500	14.50	12.50	CX34-36B	SL280UH090XV48B	8813420
EL16XC1-042-230A	TXV	39,500	15.10	12.50	CX34-36C	EL180UH090E60C	8813421
EL16XC1-042-230A	TXV	39,000	15.10	12.50	CX34-36C	EL180UH110E60C	8813422
EL16XC1-042-230A	TXV	39,000	15.10	12.50	CX34-36C	EL180UH110XE60C	8813423
EL16XC1-042-230A	TXV	39,000	15.10	12.50	CX34-36C	EL195UH090XE48C	8813424
EL16XC1-042-230A	TXV	39,500	15.10	12.50	CX34-36C	EL195UH110XE60C	8813425
EL16XC1-042-230A	TXV	39,000	15.10	12.50	CX34-36C	EL296UH090XE48C	8813426
EL16XC1-042-230A	TXV	39,000	14.50	12.20	CX34-36C	EL296UH090XV36C	8813427
EL16XC1-042-230A	TXV	39,000	15.10	12.50	CX34-36C	EL296UH090XV48C	8813428
EL16XC1-042-230A	TXV	39,500	14.50	12.50	CX34-36C	EL296UH090XV60C	8813429
EL16XC1-042-230A	TXV	39,500	15.10	12.50	CX34-36C	EL296UH110XE60C	8813430
EL16XC1-042-230A	TXV	39,500	15.10	12.50	CX34-36C	EL296UH110XV60C	8813431
EL16XC1-042-230A	TXV	39,500	15.10	12.50	CX34-36C	SL280UH090V60C	8813432
EL16XC1-042-230A	TXV	39,500	15.10	12.50	CX34-36C	SL280UH090XV60C	8813433
EL16XC1-042-230A	TXV	39,500	14.50	12.50	CX34-36C	SL280UH110V60C	8813434
EL16XC1-042-230A	TXV	39,500	14.50	12.50	CX34-36C	SL280UH110XV60C	8813435
EL16XC1-042-230A	TXV	39,000	14.50	12.20	CX34-36C	SLP98UH090XV36C	8813436
EL16XC1-042-230A	TXV	39,000	15.10	12.50	CX34-36C	SLP98UH090XV48C	8813437
EL16XC1-042-230A	TXV	39,500	14.50	12.50	CX34-36C	SLP98UH090XV60C	8813438
EL16XC1-042-230A	TXV	39,500	15.10	12.50	CX34-36C	SLP98UH110XV60C	8813439
EL16XC1-042-230A	TXV	41,000	15.50	12.50	CX34-38B	EL180UH090E48B	8813440
EL16XC1-042-230A	TXV	41,000	15.50	12.50	CX34-38B	EL180UH090XE48B	8813441
EL16XC1-042-230A	TXV	40,500	15.10	12.50	CX34-38B	EL296UH045XV36B	8813442
EL16XC1-042-230A	TXV	40,500	14.50	12.50	CX34-38B	EL296UH070XV36B	8813443
EL16XC1-042-230A	TXV	41,000	15.50	12.50	CX34-38B	SL280UH090V36B	8813444
EL16XC1-042-230A	TXV	41,000	15.50	12.50	CX34-38B	SL280UH090V48B	8813445
EL16XC1-042-230A	TXV	41,000	15.50	12.50	CX34-38B	SL280UH090XV48B	8813446
EL16XC1-042-230A	TXV	40,500	14.50	12.50	CX34-38B	SLP98UH070XV36B	8813447
EL16XC1-042-230A	TXV	40,500	14.50	12.20	CX34-38B		8813448
EL16XC1-042-230A	TXV	39,500	15.10	12.50	CX34-42	EL180UH090E48B	8813449
EL16XC1-042-230A	TXV	39,500	15.10	12.50	CX34-42	EL180UH090XE48B	8813450
EL16XC1-042-230A	TXV	39,500	14.50	12.50	CX34-42	SL280UH090V36B	8813451
EL16XC1-042-230A	TXV	39,500	14.50	12.50	CX34-42	SL280UH090V48B	8813452
EL16XC1-042-230A	TXV	39,500	14.50	12.50	CX34-42	SL280UH090XV48B	8813453
EL16XC1-042-230A	TXV	41,500	15.50	13.00	CX34-43B	EL180UH090E48B	8813454
EL16XC1-042-230A	TXV	41,500	15.50	13.00	CX34-43B	EL180UH090XE48B	8813455
EL16XC1-042-230A	TXV	41,000	15.10	12.50	CX34-43B	EL296UH045XV36B	8813456
EL16XC1-042-230A	TXV	41,000	15.10	12.50	CX34-43B	EL296UH070XV36B	8813457
EL16XC1-042-230A	TXV	41,000	15.50	12.50	CX34-43B	SL280UH090V36B	8813458

NOTES:

TXV = Matched with Thermostatic Expansion Valve.

RFC = Matched with RFC metering device.

AHRI certified to AHRI Standard 210/240 (with 25 ft. of connecting refrigerant lines); 95°F outdoor air temperature, 80°F db / 67°F wb entering evaporator air. All ratings include the use of a blower time delay relay (TDR). All Lennox variable-speed furnaces and Air Handlers have time delay capabilities. Other Furnaces and Air Handlers may require an optional time delay relay (**58M81**) for field installation. See furnace or air handler specifications to determine if relay is needed.

Also see Expansion Valve Kit Usage Table.

AHRI SYSTEM MATCHES - ALL REGIONS - 018-024-030-041-042-047-048-060

NOTE - For the latest up-to-date system matches please visit the AHRI web site at <http://www.ahridirectory.org>

Model No.	Expansion Device	Capacity	SEER	EER	Coil or Air Handler	Furnace	AHRI Reference
EL16XC1-042-230A	TXV	41,000	15.50	12.50	CX34-43B	SL280UH090V48B	8813459
EL16XC1-042-230A	TXV	41,000	15.50	12.50	CX34-43B	SL280UH090XV48B	8813460
EL16XC1-042-230A	TXV	41,000	15.10	12.50	CX34-43B	SLP98UH070XV36B	8813461
EL16XC1-042-230A	TXV	41,000	14.50	12.20	CX34-43B		8813462
EL16XC1-042-230A	TXV	41,500	16.00	13.00	CX34-43C	EL180UH090E60C	8813463
EL16XC1-042-230A	TXV	41,500	16.00	13.00	CX34-43C	EL180UH110E60C	8813464
EL16XC1-042-230A	TXV	41,500	16.00	13.00	CX34-43C	EL180UH110XE60C	8813465
EL16XC1-042-230A	TXV	41,000	16.00	13.00	CX34-43C	EL195UH090XE48C	8813466
EL16XC1-042-230A	TXV	41,500	16.00	13.00	CX34-43C	EL195UH110XE60C	8813467
EL16XC1-042-230A	TXV	41,000	16.00	13.00	CX34-43C	EL296UH090XE48C	8813468
EL16XC1-042-230A	TXV	41,000	15.50	13.00	CX34-43C	EL296UH090XV36C	8813469
EL16XC1-042-230A	TXV	41,500	16.00	13.00	CX34-43C	EL296UH090XV48C	8813470
EL16XC1-042-230A	TXV	41,500	15.50	13.00	CX34-43C	EL296UH090XV60C	8813471
EL16XC1-042-230A	TXV	41,500	16.00	13.00	CX34-43C	EL296UH110XE60C	8813472
EL16XC1-042-230A	TXV	41,500	16.00	13.00	CX34-43C	EL296UH110XV48C	8813473
EL16XC1-042-230A	TXV	41,500	16.00	13.00	CX34-43C	EL296UH110XV60C	8813474
EL16XC1-042-230A	TXV	41,500	16.00	13.00	CX34-43C	SL280UH090V60C	8813475
EL16XC1-042-230A	TXV	41,500	16.00	13.00	CX34-43C	SL280UH090XV60C	8813476
EL16XC1-042-230A	TXV	41,500	15.50	13.00	CX34-43C	SL280UH110V60C	8813477
EL16XC1-042-230A	TXV	41,500	15.50	13.00	CX34-43C	SL280UH110XV60C	8813478
EL16XC1-042-230A	TXV	41,000	15.50	13.00	CX34-43C	SLP98UH090XV36C	8813479
EL16XC1-042-230A	TXV	41,500	16.00	13.00	CX34-43C	SLP98UH090XV48C	8813480
EL16XC1-042-230A	TXV	41,500	15.50	13.00	CX34-43C	SLP98UH090XV60C	8813481
EL16XC1-042-230A	TXV	41,500	16.00	13.00	CX34-43C	SLP98UH110XV60C	8813482
EL16XC1-042-230A	TXV	41,000	14.50	12.20	CX34-43C		8813483
EL16XC1-042-230A	TXV	40,500	15.50	12.50	CX34-44/48B	EL180UH090E48B	8813484
EL16XC1-042-230A	TXV	40,500	15.50	12.50	CX34-44/48B	EL180UH090XE48B	8813485
EL16XC1-042-230A	TXV	40,000	14.50	12.20	CX34-44/48B	EL296UH045XV36B	8813486
EL16XC1-042-230A	TXV	40,000	14.50	12.20	CX34-44/48B	EL296UH070XV36B	8813487
EL16XC1-042-230A	TXV	40,500	15.50	12.50	CX34-44/48B	SL280UH090V36B	8813488
EL16XC1-042-230A	TXV	40,500	15.50	12.50	CX34-44/48B	SL280UH090V48B	8813489
EL16XC1-042-230A	TXV	40,500	15.50	12.50	CX34-44/48B	SL280UH090XV48B	8813490
EL16XC1-042-230A	TXV	40,000	14.50	12.20	CX34-44/48B	SLP98UH070XV36B	8813491
EL16XC1-042-230A	TXV	40,500	15.50	13.00	CX34-44/48C	EL180UH090E60C	8813492
EL16XC1-042-230A	TXV	40,500	15.50	13.00	CX34-44/48C	EL180UH110E60C	8813493
EL16XC1-042-230A	TXV	40,500	15.50	13.00	CX34-44/48C	EL180UH110XE60C	8813494
EL16XC1-042-230A	TXV	40,500	15.50	12.50	CX34-44/48C	EL195UH090XE48C	8813495
EL16XC1-042-230A	TXV	41,000	15.50	12.50	CX34-44/48C	EL195UH110XE60C	8813496
EL16XC1-042-230A	TXV	40,500	15.50	12.50	CX34-44/48C	EL296UH090XE48C	8813497
EL16XC1-042-230A	TXV	40,500	15.10	12.50	CX34-44/48C	EL296UH090XV36C	8813498
EL16XC1-042-230A	TXV	40,500	15.50	12.50	CX34-44/48C	EL296UH090XV48C	8813499
EL16XC1-042-230A	TXV	41,000	15.10	12.50	CX34-44/48C	EL296UH090XV60C	8813500
EL16XC1-042-230A	TXV	41,000	15.50	12.50	CX34-44/48C	EL296UH110XE60C	8813501
EL16XC1-042-230A	TXV	40,500	15.50	12.50	CX34-44/48C	EL296UH110XV48C	8813502
EL16XC1-042-230A	TXV	40,500	15.50	12.50	CX34-44/48C	EL296UH110XV60C	8813503
EL16XC1-042-230A	TXV	41,000	15.50	12.50	CX34-44/48C	SL280UH090V60C	8813504
EL16XC1-042-230A	TXV	41,000	15.50	12.50	CX34-44/48C	SL280UH090XV60C	8813505
EL16XC1-042-230A	TXV	40,500	15.50	12.50	CX34-44/48C	SL280UH110V60C	8813506
EL16XC1-042-230A	TXV	40,500	15.50	12.50	CX34-44/48C	SL280UH110XV60C	8813507

NOTES:

TXV = Matched with Thermostatic Expansion Valve.

RFC = Matched with RFC metering device.

AHRI certified to AHRI Standard 210/240 (with 25 ft. of connecting refrigerant lines); 95°F outdoor air temperature, 80°F db / 67°F wb entering evaporator air.

All ratings include the use of a blower time delay relay (TDR). All Lennox variable-speed furnaces and Air Handlers have time delay capabilities. Other Furnaces and Air Handlers may require an optional time delay relay (**58M81**) for field installation. See furnace or air handler specifications to determine if relay is needed.

Also see Expansion Valve Kit Usage Table.

AHRI SYSTEM MATCHES - ALL REGIONS - 018-024-030-041-042-047-048-060

NOTE - For the latest up-to-date system matches please visit the AHRI web site at <http://www.ahridirectory.org>

Model No.	Expansion Device	Capacity	SEER	EER	Coil or Air Handler	Furnace	AHRI Reference
EL16XC1-042-230A	TXV	40,500	15.10	12.50	CX34-44/48C	SLP98UH090XV36C	8813508
EL16XC1-042-230A	TXV	40,500	15.50	12.50	CX34-44/48C	SLP98UH090XV48C	8813509
EL16XC1-042-230A	TXV	41,000	15.10	12.50	CX34-44/48C	SLP98UH090XV60C	8813510
EL16XC1-042-230A	TXV	40,500	15.50	12.50	CX34-44/48C	SLP98UH110XV60C	8813511
EL16XC1-042-230A	TXV	42,000	16.00	13.00	CX34-49	EL180UH090E60C	8813512
EL16XC1-042-230A	TXV	42,000	16.00	13.00	CX34-49	EL180UH110E60C	8813513
EL16XC1-042-230A	TXV	42,000	16.00	13.00	CX34-49	EL180UH110XE60C	8813514
EL16XC1-042-230A	TXV	41,500	16.00	13.00	CX34-49	EL195UH090XE48C	8813515
EL16XC1-042-230A	TXV	42,000	16.00	13.00	CX34-49	EL195UH110XE60C	8813516
EL16XC1-042-230A	TXV	41,500	16.00	13.00	CX34-49	EL296UH090XE48C	8813517
EL16XC1-042-230A	TXV	41,500	16.00	13.00	CX34-49	EL296UH090XV36C	8813518
EL16XC1-042-230A	TXV	41,500	16.00	13.00	CX34-49	EL296UH090XV48C	8813519
EL16XC1-042-230A	TXV	42,000	16.00	13.00	CX34-49	EL296UH090XV60C	8813520
EL16XC1-042-230A	TXV	42,000	16.00	13.00	CX34-49	EL296UH110XE60C	8813521
EL16XC1-042-230A	TXV	42,000	16.00	13.00	CX34-49	EL296UH110XV48C	8813522
EL16XC1-042-230A	TXV	42,000	16.00	13.00	CX34-49	EL296UH110XV60C	8813523
EL16XC1-042-230A	TXV	42,000	16.00	13.00	CX34-49	SL280UH090V60C	8813524
EL16XC1-042-230A	TXV	42,000	16.00	13.00	CX34-49	SL280UH090XV60C	8813525
EL16XC1-042-230A	TXV	42,000	16.00	13.00	CX34-49	SL280UH110V60C	8813526
EL16XC1-042-230A	TXV	42,000	16.00	13.00	CX34-49	SL280UH110XV60C	8813527
EL16XC1-042-230A	TXV	41,500	16.00	13.00	CX34-49	SLP98UH090XV36C	8813528
EL16XC1-042-230A	TXV	41,500	16.00	13.00	CX34-49	SLP98UH090XV48C	8813529
EL16XC1-042-230A	TXV	42,000	16.00	13.00	CX34-49	SLP98UH090XV60C	8813530
EL16XC1-042-230A	TXV	42,000	16.00	13.00	CX34-49	SLP98UH110XV60C	8813531
EL16XC1-042-230A	TXV	41,500	14.50	12.50	CX34-49		8813532
EL16XC1-042-230A	TXV	41,000	16.00	13.00	CX34-50/60C	EL180UH090E60C	8813533
EL16XC1-042-230A	TXV	41,000	16.00	13.00	CX34-50/60C	EL180UH110E60C	8813534
EL16XC1-042-230A	TXV	41,000	16.00	13.00	CX34-50/60C	EL180UH110XE60C	8813535
EL16XC1-042-230A	TXV	41,000	15.50	13.00	CX34-50/60C	EL195UH090XE48C	8813536
EL16XC1-042-230A	TXV	41,500	15.50	12.50	CX34-50/60C	EL195UH110XE60C	8813537
EL16XC1-042-230A	TXV	41,000	15.50	13.00	CX34-50/60C	EL296UH090XE48C	8813538
EL16XC1-042-230A	TXV	41,000	15.50	12.50	CX34-50/60C	EL296UH090XV36C	8813539
EL16XC1-042-230A	TXV	41,000	15.50	12.50	CX34-50/60C	EL296UH090XV48C	8813540
EL16XC1-042-230A	TXV	41,500	15.50	12.50	CX34-50/60C	EL296UH090XV60C	8813541
EL16XC1-042-230A	TXV	41,500	15.50	12.50	CX34-50/60C	EL296UH110XE60C	8813542
EL16XC1-042-230A	TXV	41,000	15.50	12.50	CX34-50/60C	EL296UH110XV48C	8813543
EL16XC1-042-230A	TXV	41,000	15.50	12.50	CX34-50/60C	EL296UH110XV60C	8813544
EL16XC1-042-230A	TXV	41,500	15.50	13.00	CX34-50/60C	SL280UH090V60C	8813545
EL16XC1-042-230A	TXV	41,500	15.50	13.00	CX34-50/60C	SL280UH090XV60C	8813546
EL16XC1-042-230A	TXV	41,000	15.50	12.50	CX34-50/60C	SL280UH110V60C	8813547
EL16XC1-042-230A	TXV	41,000	15.50	12.50	CX34-50/60C	SL280UH110XV60C	8813548
EL16XC1-042-230A	TXV	41,000	15.50	12.50	CX34-50/60C	SLP98UH090XV36C	8813549
EL16XC1-042-230A	TXV	41,000	15.50	12.50	CX34-50/60C	SLP98UH090XV48C	8813550
EL16XC1-042-230A	TXV	41,500	15.50	12.50	CX34-50/60C	SLP98UH090XV60C	8813551
EL16XC1-042-230A	TXV	41,000	15.50	12.50	CX34-50/60C	SLP98UH110XV60C	8813552
EL16XC1-042-230A	TXV	40,500	14.50	12.20	CX34-50/60C		8813553
EL16XC1-042-230A	TXV	42,000	16.00	13.00	CX34-60D	EL180UH135E60D	8813554
EL16XC1-042-230A	TXV	42,000	16.00	13.00	CX34-60D	EL195UH135XE60D	8813555
EL16XC1-042-230A	TXV	42,000	16.00	13.00	CX34-60D	EL296UH135XE60D	8813556

NOTES:

TXV = Matched with Thermostatic Expansion Valve.

RFC = Matched with RFC metering device.

AHRI certified to AHRI Standard 210/240 (with 25 ft. of connecting refrigerant lines); 95°F outdoor air temperature, 80°F db / 67°F wb entering evaporator air. All ratings include the use of a blower time delay relay (TDR). All Lennox variable-speed furnaces and Air Handlers have time delay capabilities. Other Furnaces and Air Handlers may require an optional time delay relay (**58M81**) for field installation. See furnace or air handler specifications to determine if relay is needed.

Also see Expansion Valve Kit Usage Table.

AHRI SYSTEM MATCHES - ALL REGIONS - 018-024-030-041-042-047-048-060

NOTE - For the latest up-to-date system matches please visit the AHRI web site at <http://www.ahridirectory.org>

Model No.	Expansion Device	Capacity	SEER	EER	Coil or Air Handler	Furnace	AHRI Reference
EL16XC1-042-230A	TXV	42,000	16.00	13.00	CX34-60D	SL280UH135V60D	8813557
EL16XC1-042-230A	TXV	41,000	14.50	12.20	CX34-60D		8813558
EL16XC1-042-230A	TXV	42,000	16.00	13.00	CX34-62C	EL180UH090E60C	8813559
EL16XC1-042-230A	TXV	42,000	16.00	13.00	CX34-62C	EL180UH110E60C	8813560
EL16XC1-042-230A	TXV	42,000	16.00	13.00	CX34-62C	EL180UH110XE60C	8813561
EL16XC1-042-230A	TXV	42,000	16.00	13.00	CX34-62C	EL195UH090XE48C	8813562
EL16XC1-042-230A	TXV	42,000	16.00	13.00	CX34-62C	EL195UH110XE60C	8813563
EL16XC1-042-230A	TXV	42,000	16.00	13.00	CX34-62C	EL296UH090XE48C	8813564
EL16XC1-042-230A	TXV	42,000	16.00	13.00	CX34-62C	EL296UH090XV36C	8813565
EL16XC1-042-230A	TXV	42,000	16.00	13.00	CX34-62C	EL296UH090XV48C	8813566
EL16XC1-042-230A	TXV	42,000	16.00	13.00	CX34-62C	EL296UH090XV60C	8813567
EL16XC1-042-230A	TXV	42,000	16.00	13.00	CX34-62C	EL296UH110XE60C	8813568
EL16XC1-042-230A	TXV	42,000	16.00	13.00	CX34-62C	EL296UH110XV60C	8813569
EL16XC1-042-230A	TXV	42,000	16.00	13.00	CX34-62C	SL280UH090V60C	8813570
EL16XC1-042-230A	TXV	42,000	16.00	13.00	CX34-62C	SL280UH090XV60C	8813571
EL16XC1-042-230A	TXV	42,000	16.00	13.00	CX34-62C	SL280UH110V60C	8813572
EL16XC1-042-230A	TXV	42,000	16.00	13.00	CX34-62C	SL280UH110XV60C	8813573
EL16XC1-042-230A	TXV	42,000	16.00	13.00	CX34-62C	SLP98UH090XV36C	8813574
EL16XC1-042-230A	TXV	42,000	16.00	13.00	CX34-62C	SLP98UH090XV48C	8813575
EL16XC1-042-230A	TXV	42,000	16.00	13.00	CX34-62C	SLP98UH090XV60C	8813576
EL16XC1-042-230A	TXV	42,000	16.00	13.00	CX34-62C	SLP98UH110XV60C	8813577
EL16XC1-042-230A	TXV	42,000	15.10	12.50	CX34-62C		8813578
EL16XC1-042-230A	TXV	42,000	16.00	13.00	CX34-62D	EL180UH135E60D	8813579
EL16XC1-042-230A	TXV	42,000	16.00	13.00	CX34-62D	EL195UH135XE60D	8813580
EL16XC1-042-230A	TXV	42,000	16.00	13.00	CX34-62D	EL296UH135XE60D	8813581
EL16XC1-042-230A	TXV	42,000	16.00	13.00	CX34-62D	SL280UH135V60D	8813582
EL16XC1-042-230A	TXV	41,500	14.50	12.50	CX34-62D		8813583
EL16XC1-042-230A	TXV	39,500	15.10	12.50	CX35-30/36B	EL180UH090E48B	8813584
EL16XC1-042-230A	TXV	39,500	15.10	12.50	CX35-30/36B	EL180UH090XE48B	8813585
EL16XC1-042-230A	TXV	39,500	15.10	12.50	CX35-30/36B	SL280UH090V36B	8813586
EL16XC1-042-230A	TXV	39,500	14.50	12.50	CX35-30/36B	SL280UH090V48B	8813587
EL16XC1-042-230A	TXV	39,500	14.50	12.50	CX35-30/36B	SL280UH090XV48B	8813588
EL16XC1-042-230A	TXV	39,500	15.10	12.50	CX35-30/36C	EL180UH090E60C	8813589
EL16XC1-042-230A	TXV	39,500	15.10	12.50	CX35-30/36C	EL180UH110E60C	8813590
EL16XC1-042-230A	TXV	39,500	15.10	12.50	CX35-30/36C	EL180UH110XE60C	8813591
EL16XC1-042-230A	TXV	39,000	15.10	12.50	CX35-30/36C	EL195UH090XE48C	8813592
EL16XC1-042-230A	TXV	39,500	15.10	12.50	CX35-30/36C	EL195UH110XE60C	8813593
EL16XC1-042-230A	TXV	39,000	15.10	12.50	CX35-30/36C	EL296UH090XE48C	8813594
EL16XC1-042-230A	TXV	39,000	14.50	12.20	CX35-30/36C	EL296UH090XV36C	8813595
EL16XC1-042-230A	TXV	39,500	15.10	12.50	CX35-30/36C	EL296UH090XV48C	8813596
EL16XC1-042-230A	TXV	39,500	14.50	12.50	CX35-30/36C	EL296UH090XV60C	8813597
EL16XC1-042-230A	TXV	39,500	15.10	12.50	CX35-30/36C	EL296UH110XE60C	8813598
EL16XC1-042-230A	TXV	39,500	15.10	12.50	CX35-30/36C	EL296UH110XV60C	8813599
EL16XC1-042-230A	TXV	39,500	15.10	12.50	CX35-30/36C	SL280UH090V60C	8813600
EL16XC1-042-230A	TXV	39,500	15.10	12.50	CX35-30/36C	SL280UH090XV60C	8813601
EL16XC1-042-230A	TXV	39,500	15.10	12.50	CX35-30/36C	SL280UH110V60C	8813602
EL16XC1-042-230A	TXV	39,500	15.10	12.50	CX35-30/36C	SL280UH110XV60C	8813603
EL16XC1-042-230A	TXV	39,000	14.50	12.20	CX35-30/36C	SLP98UH090XV36C	8813604
EL16XC1-042-230A	TXV	39,500	15.10	12.50	CX35-30/36C	SLP98UH090XV48C	8813605

NOTES:

TXV = Matched with Thermostatic Expansion Valve.

RFC = Matched with RFC metering device.

AHRI certified to AHRI Standard 210/240 (with 25 ft. of connecting refrigerant lines); 95°F outdoor air temperature, 80°F db / 67°F wb entering evaporator air.

All ratings include the use of a blower time delay relay (TDR). All Lennox variable-speed furnaces and Air Handlers have time delay capabilities. Other Furnaces and Air Handlers may require an optional time delay relay (**58M81**) for field installation. See furnace or air handler specifications to determine if relay is needed.

Also see Expansion Valve Kit Usage Table.

AHRI SYSTEM MATCHES - ALL REGIONS - 018-024-030-041-042-047-048-060

NOTE - For the latest up-to-date system matches please visit the AHRI web site at <http://www.ahridirectory.org>

Model No.	Expansion Device	Capacity	SEER	EER	Coil or Air Handler	Furnace	AHRI Reference
EL16XC1-042-230A	TXV	39,500	14.50	12.50	CX35-30/36C	SLP98UH090XV60C	8813606
EL16XC1-042-230A	TXV	39,500	15.10	12.50	CX35-30/36C	SLP98UH110XV60C	8813607
EL16XC1-042-230A	TXV	41,000	15.50	13.00	CX35-36B	EL180UH090E48B	8813608
EL16XC1-042-230A	TXV	41,000	15.50	13.00	CX35-36B	EL180UH090XE48B	8813609
EL16XC1-042-230A	TXV	41,000	15.10	12.50	CX35-36B	EL296UH045XV36B	8813610
EL16XC1-042-230A	TXV	41,000	15.10	12.50	CX35-36B	EL296UH070XV36B	8813611
EL16XC1-042-230A	TXV	41,000	15.50	12.50	CX35-36B	SL280UH090V36B	8813612
EL16XC1-042-230A	TXV	41,000	15.50	12.50	CX35-36B	SL280UH090V48B	8813613
EL16XC1-042-230A	TXV	41,000	15.50	12.50	CX35-36B	SL280UH090XV48B	8813614
EL16XC1-042-230A	TXV	41,000	15.10	12.50	CX35-36B	SLP98UH070XV36B	8813615
EL16XC1-042-230A	TXV	41,000	14.50	12.20	CX35-36B		8813616
EL16XC1-042-230A	TXV	41,500	16.00	13.00	CX35-48B	EL180UH090E48B	8813617
EL16XC1-042-230A	TXV	41,500	16.00	13.00	CX35-48B	EL180UH090XE48B	8813618
EL16XC1-042-230A	TXV	41,000	15.10	12.50	CX35-48B	EL296UH045XV36B	8813619
EL16XC1-042-230A	TXV	41,000	15.10	12.50	CX35-48B	EL296UH070XV36B	8813620
EL16XC1-042-230A	TXV	41,500	15.50	12.50	CX35-48B	SL280UH090V36B	8813621
EL16XC1-042-230A	TXV	41,500	15.50	12.50	CX35-48B	SL280UH090V48B	8813622
EL16XC1-042-230A	TXV	41,500	15.50	12.50	CX35-48B	SL280UH090XV48B	8813623
EL16XC1-042-230A	TXV	41,000	15.10	12.50	CX35-48B	SLP98UH070XV36B	8813624
EL16XC1-042-230A	TXV	41,000	14.50	12.20	CX35-48B		8813625
EL16XC1-042-230A	TXV	41,500	16.00	13.00	CX35-48C	EL180UH090E60C	8813626
EL16XC1-042-230A	TXV	41,500	16.00	13.00	CX35-48C	EL180UH110E60C	8813627
EL16XC1-042-230A	TXV	41,500	16.00	13.00	CX35-48C	EL180UH110XE60C	8813628
EL16XC1-042-230A	TXV	41,500	16.00	13.00	CX35-48C	EL195UH090XE48C	8813629
EL16XC1-042-230A	TXV	41,500	16.00	13.00	CX35-48C	EL195UH110XE60C	8813630
EL16XC1-042-230A	TXV	41,500	16.00	13.00	CX35-48C	EL296UH090XE48C	8813631
EL16XC1-042-230A	TXV	41,500	15.50	13.00	CX35-48C	EL296UH090XV36C	8813632
EL16XC1-042-230A	TXV	41,500	16.00	13.00	CX35-48C	EL296UH090XV48C	8813633
EL16XC1-042-230A	TXV	41,500	15.50	13.00	CX35-48C	EL296UH090XV60C	8813634
EL16XC1-042-230A	TXV	41,500	16.00	13.00	CX35-48C	EL296UH110XE60C	8813635
EL16XC1-042-230A	TXV	41,500	16.00	13.00	CX35-48C	EL296UH110XV48C	8813636
EL16XC1-042-230A	TXV	41,500	16.00	13.00	CX35-48C	EL296UH110XV60C	8813637
EL16XC1-042-230A	TXV	42,000	16.00	13.00	CX35-48C	SL280UH090V60C	8813638
EL16XC1-042-230A	TXV	42,000	16.00	13.00	CX35-48C	SL280UH090XV60C	8813639
EL16XC1-042-230A	TXV	41,500	16.00	13.00	CX35-48C	SL280UH110V60C	8813640
EL16XC1-042-230A	TXV	41,500	16.00	13.00	CX35-48C	SL280UH110XV60C	8813641
EL16XC1-042-230A	TXV	41,500	15.50	13.00	CX35-48C	SLP98UH090XV36C	8813642
EL16XC1-042-230A	TXV	41,500	16.00	13.00	CX35-48C	SLP98UH090XV48C	8813643
EL16XC1-042-230A	TXV	41,500	15.50	13.00	CX35-48C	SLP98UH090XV60C	8813644
EL16XC1-042-230A	TXV	41,500	16.00	13.00	CX35-48C	SLP98UH110XV60C	8813645
EL16XC1-042-230A	TXV	41,000	14.50	12.20	CX35-48C		8813646
EL16XC1-042-230A	TXV	42,000	16.00	13.00	CX35-49C	EL180UH090E60C	8813647
EL16XC1-042-230A	TXV	42,000	16.00	13.00	CX35-49C	EL180UH110E60C	8813648
EL16XC1-042-230A	TXV	42,000	16.00	13.00	CX35-49C	EL180UH110XE60C	8813649
EL16XC1-042-230A	TXV	41,500	16.00	13.00	CX35-49C	EL195UH090XE48C	8813650
EL16XC1-042-230A	TXV	42,000	16.00	13.00	CX35-49C	EL195UH110XE60C	8813651
EL16XC1-042-230A	TXV	41,500	16.00	13.00	CX35-49C	EL296UH090XE48C	8813652
EL16XC1-042-230A	TXV	41,500	16.00	13.00	CX35-49C	EL296UH090XV36C	8813653
EL16XC1-042-230A	TXV	41,500	16.00	13.00	CX35-49C	EL296UH090XV48C	8813654

NOTES:

TXV = Matched with Thermostatic Expansion Valve.

RFC = Matched with RFC metering device.

AHRI certified to AHRI Standard 210/240 (with 25 ft. of connecting refrigerant lines); 95°F outdoor air temperature, 80°F db / 67°F wb entering evaporator air. All ratings include the use of a blower time delay relay (TDR). All Lennox variable-speed furnaces and Air Handlers have time delay capabilities. Other Furnaces and Air Handlers may require an optional time delay relay (**58M81**) for field installation. See furnace or air handler specifications to determine if relay is needed.

Also see Expansion Valve Kit Usage Table.

AHRI SYSTEM MATCHES - ALL REGIONS - 018-024-030-041-042-047-048-060

NOTE - For the latest up-to-date system matches please visit the AHRI web site at <http://www.ahridirectory.org>

Model No.	Expansion Device	Capacity	SEER	EER	Coil or Air Handler	Furnace	AHRI Reference
EL16XC1-042-230A	TXV	42,000	16.00	13.00	CX35-49C	EL296UH090XV60C	8813655
EL16XC1-042-230A	TXV	42,000	16.00	13.00	CX35-49C	EL296UH110XE60C	8813656
EL16XC1-042-230A	TXV	42,000	16.00	13.00	CX35-49C	EL296UH110XV48C	8813657
EL16XC1-042-230A	TXV	42,000	16.00	13.00	CX35-49C	EL296UH110XV60C	8813658
EL16XC1-042-230A	TXV	42,000	16.00	13.00	CX35-49C	SL280UH090V60C	8813659
EL16XC1-042-230A	TXV	42,000	16.00	13.00	CX35-49C	SL280UH090XV60C	8813660
EL16XC1-042-230A	TXV	42,000	16.00	13.00	CX35-49C	SL280UH110V60C	8813661
EL16XC1-042-230A	TXV	42,000	16.00	13.00	CX35-49C	SL280UH110XV60C	8813662
EL16XC1-042-230A	TXV	41,500	16.00	13.00	CX35-49C	SLP98UH090XV36C	8813663
EL16XC1-042-230A	TXV	41,500	16.00	13.00	CX35-49C	SLP98UH090XV48C	8813664
EL16XC1-042-230A	TXV	42,000	16.00	13.00	CX35-49C	SLP98UH090XV60C	8813665
EL16XC1-042-230A	TXV	42,000	16.00	13.00	CX35-49C	SLP98UH110XV60C	8813666
EL16XC1-042-230A	TXV	41,500	14.50	12.50	CX35-49C		8813667
EL16XC1-042-230A	TXV	41,000	16.00	13.00	CX35-50/60C	EL180UH090E60C	8813668
EL16XC1-042-230A	TXV	41,000	16.00	13.00	CX35-50/60C	EL180UH110E60C	8813669
EL16XC1-042-230A	TXV	41,000	16.00	13.00	CX35-50/60C	EL180UH110XE60C	8813670
EL16XC1-042-230A	TXV	41,000	15.50	13.00	CX35-50/60C	EL195UH090XE48C	8813671
EL16XC1-042-230A	TXV	41,500	15.50	12.50	CX35-50/60C	EL195UH110XE60C	8813672
EL16XC1-042-230A	TXV	41,000	15.50	13.00	CX35-50/60C	EL296UH090XE48C	8813673
EL16XC1-042-230A	TXV	41,000	15.50	12.50	CX35-50/60C	EL296UH090XV36C	8813674
EL16XC1-042-230A	TXV	41,000	15.50	12.50	CX35-50/60C	EL296UH090XV48C	8813675
EL16XC1-042-230A	TXV	41,500	15.50	12.50	CX35-50/60C	EL296UH090XV60C	8813676
EL16XC1-042-230A	TXV	41,500	15.50	12.50	CX35-50/60C	EL296UH110XE60C	8813677
EL16XC1-042-230A	TXV	41,000	15.50	12.50	CX35-50/60C	EL296UH110XV48C	8813678
EL16XC1-042-230A	TXV	41,000	15.50	12.50	CX35-50/60C	EL296UH110XV60C	8813679
EL16XC1-042-230A	TXV	41,500	15.50	13.00	CX35-50/60C	SL280UH090V60C	8813680
EL16XC1-042-230A	TXV	41,500	15.50	13.00	CX35-50/60C	SL280UH090XV60C	8813681
EL16XC1-042-230A	TXV	41,000	15.50	12.50	CX35-50/60C	SL280UH110V60C	8813682
EL16XC1-042-230A	TXV	41,000	15.50	12.50	CX35-50/60C	SL280UH110XV60C	8813683
EL16XC1-042-230A	TXV	41,000	15.50	12.50	CX35-50/60C	SLP98UH090XV36C	8813684
EL16XC1-042-230A	TXV	41,000	15.50	12.50	CX35-50/60C	SLP98UH090XV48C	8813685
EL16XC1-042-230A	TXV	41,500	15.50	12.50	CX35-50/60C	SLP98UH090XV60C	8813686
EL16XC1-042-230A	TXV	41,000	15.50	12.50	CX35-50/60C	SLP98UH110XV60C	8813687
EL16XC1-042-230A	TXV	40,500	14.50	12.20	CX35-50/60C		8813688
EL16XC1-042-230A	TXV	42,000	16.00	13.00	CX35-60C	EL180UH090E60C	8813689
EL16XC1-042-230A	TXV	42,000	16.00	13.00	CX35-60C	EL180UH110E60C	8813690
EL16XC1-042-230A	TXV	42,000	16.00	13.00	CX35-60C	EL180UH110XE60C	8813691
EL16XC1-042-230A	TXV	42,000	16.00	13.00	CX35-60C	EL195UH090XE48C	8813692
EL16XC1-042-230A	TXV	42,000	16.00	13.00	CX35-60C	EL195UH110XE60C	8813693
EL16XC1-042-230A	TXV	42,000	16.00	13.00	CX35-60C	EL296UH090XE48C	8813694
EL16XC1-042-230A	TXV	42,000	16.00	13.00	CX35-60C	EL296UH090XV36C	8813695
EL16XC1-042-230A	TXV	42,000	16.00	13.00	CX35-60C	EL296UH090XV48C	8813696
EL16XC1-042-230A	TXV	42,000	16.00	13.00	CX35-60C	EL296UH090XV60C	8813697
EL16XC1-042-230A	TXV	42,000	16.00	13.00	CX35-60C	EL296UH110XE60C	8813698
EL16XC1-042-230A	TXV	42,000	16.00	13.00	CX35-60C	EL296UH110XV60C	8813699
EL16XC1-042-230A	TXV	42,000	16.00	13.00	CX35-60C	SL280UH090V60C	8813700
EL16XC1-042-230A	TXV	42,000	16.00	13.00	CX35-60C	SL280UH090XV60C	8813701
EL16XC1-042-230A	TXV	42,000	16.00	13.00	CX35-60C	SL280UH110V60C	8813702
EL16XC1-042-230A	TXV	42,000	16.00	13.00	CX35-60C	SL280UH110XV60C	8813703

NOTES:

TXV = Matched with Thermostatic Expansion Valve.

RFC = Matched with RFC metering device.

AHRI certified to AHRI Standard 210/240 (with 25 ft. of connecting refrigerant lines); 95°F outdoor air temperature, 80°F db / 67°F wb entering evaporator air.

All ratings include the use of a blower time delay relay (TDR). All Lennox variable-speed furnaces and Air Handlers have time delay capabilities. Other Furnaces and Air Handlers may require an optional time delay relay (**58M81**) for field installation. See furnace or air handler specifications to determine if relay is needed.

Also see Expansion Valve Kit Usage Table.

AHRI SYSTEM MATCHES - ALL REGIONS - 018-024-030-041-042-047-048-060

NOTE - For the latest up-to-date system matches please visit the AHRI web site at <http://www.ahridirectory.org>

Model No.	Expansion Device	Capacity	SEER	EER	Coil or Air Handler	Furnace	AHRI Reference
EL16XC1-042-230A	TXV	42,000	16.00	13.00	CX35-60C	SLP98UH090XV36C	8813704
EL16XC1-042-230A	TXV	42,000	16.00	13.00	CX35-60C	SLP98UH090XV48C	8813705
EL16XC1-042-230A	TXV	42,000	16.00	13.00	CX35-60C	SLP98UH090XV60C	8813706
EL16XC1-042-230A	TXV	42,000	16.00	13.00	CX35-60C	SLP98UH110XV60C	8813707
EL16XC1-042-230A	TXV	42,000	15.10	12.50	CX35-60C		8813708
EL16XC1-042-230A	TXV	42,000	16.00	13.00	CX35-60D	EL180UH135E60D	8813709
EL16XC1-042-230A	TXV	42,000	16.00	13.00	CX35-60D	EL195UH135XE60D	8813710
EL16XC1-042-230A	TXV	42,000	16.00	13.00	CX35-60D	EL296UH135XE60D	8813711
EL16XC1-042-230A	TXV	42,000	16.00	13.00	CX35-60D	SL280UH135V60D	8813712
EL16XC1-042-230A	TXV	41,500	14.50	12.50	CX35-60D		8813713
EL16XC1-047-230A	TXV	46,500	15.10	12.50	C33-43	EL180UH090E48B	8898522
EL16XC1-047-230A	TXV	46,500	15.10	12.50	C33-43	EL180UH090XE48B	8898523
EL16XC1-047-230A	TXV	46,000	14.50	12.20	C33-43C		9850166
EL16XC1-047-230A	TXV	45,500	14.50	12.20	C33-48	EL180UH090E48B	8898891
EL16XC1-047-230A	TXV	45,500	15.10	12.50	C33-48	EL180UH090E60C	8898524
EL16XC1-047-230A	TXV	45,500	14.50	12.20	C33-48	EL180UH090XE48B	8898892
EL16XC1-047-230A	TXV	45,500	14.50	12.50	C33-48	EL195UH090XE48C	8898525
EL16XC1-047-230A	TXV	45,500	15.10	12.50	C33-48	EL195UH110XE60C	8898526
EL16XC1-047-230A	TXV	45,500	14.50	12.50	C33-48	EL296UH090XE48C	8898527
EL16XC1-047-230A	TXV	45,500	15.10	12.50	C33-48	EL296UH110XE60C	8898528
EL16XC1-047-230A	TXV	45,500	15.10	12.50	C33-48	SL280UH090V60C	8898529
EL16XC1-047-230A	TXV	45,500	15.10	12.50	C33-48	SL280UH090XV60C	8898530
EL16XC1-047-230A	TXV	45,500	14.50	12.50	C33-48	SL280UH110V60C	8898531
EL16XC1-047-230A	TXV	45,500	14.50	12.50	C33-48	SL280UH110XV60C	8898532
EL16XC1-047-230A	TXV	45,500	14.25	12.00	C33-48		8898893
EL16XC1-047-230A	TXV	47,000	15.50	12.50	C33-49	EL180UH090E60C	8898533
EL16XC1-047-230A	TXV	47,000	15.50	12.50	C33-49	EL180UH110E60C	8898534
EL16XC1-047-230A	TXV	47,000	15.50	12.50	C33-49	EL180UH110XE60C	8898535
EL16XC1-047-230A	TXV	47,000	15.50	12.50	C33-49	EL195UH090XE48C	8898536
EL16XC1-047-230A	TXV	47,000	15.50	12.50	C33-49	EL195UH110XE60C	8898537
EL16XC1-047-230A	TXV	47,000	15.50	12.50	C33-49	EL296UH090XE48C	8898538
EL16XC1-047-230A	TXV	47,000	15.10	12.50	C33-49	EL296UH090XV48C	8898539
EL16XC1-047-230A	TXV	47,000	15.50	12.50	C33-49	EL296UH090XV60C	8898540
EL16XC1-047-230A	TXV	47,000	15.50	12.50	C33-49	EL296UH110XE60C	8898541
EL16XC1-047-230A	TXV	47,000	15.10	12.50	C33-49	EL296UH110XV60C	8898542
EL16XC1-047-230A	TXV	47,000	15.50	12.50	C33-49	SL280UH090V60C	8898543
EL16XC1-047-230A	TXV	47,000	15.50	12.50	C33-49	SL280UH110V60C	8898544
EL16XC1-047-230A	TXV	47,000	15.10	12.50	C33-49	SLP98UH090XV48C	8898545
EL16XC1-047-230A	TXV	47,000	15.50	12.50	C33-49	SLP98UH090XV60C	8898546
EL16XC1-047-230A	TXV	47,000	15.10	12.50	C33-49	SLP98UH110XV60C	8898547
EL16XC1-047-230A	TXV	47,000	14.50	12.20	C33-49C		9850174
EL16XC1-047-230A	TXV	46,000	15.10	12.50	C33-50/60C	EL180UH090E60C	8898548
EL16XC1-047-230A	TXV	46,000	15.10	12.50	C33-50/60C	EL180UH110E60C	8898549
EL16XC1-047-230A	TXV	46,000	15.10	12.50	C33-50/60C	EL180UH110XE60C	8898550
EL16XC1-047-230A	TXV	46,000	15.10	12.50	C33-50/60C	EL195UH090XE48C	8898551
EL16XC1-047-230A	TXV	46,000	15.10	12.50	C33-50/60C	EL195UH110XE60C	8898552
EL16XC1-047-230A	TXV	46,000	15.10	12.50	C33-50/60C	EL296UH090XE48C	8898553
EL16XC1-047-230A	TXV	46,000	15.10	12.50	C33-50/60C	EL296UH110XE60C	8898554
EL16XC1-047-230A	TXV	46,000	14.50	12.20	C33-50/60C		9850167

NOTES:

TXV = Matched with Thermostatic Expansion Valve.

RFC = Matched with RFC metering device.

AHRI certified to AHRI Standard 210/240 (with 25 ft. of connecting refrigerant lines); 95°F outdoor air temperature, 80°F db / 67°F wb entering evaporator air.

All ratings include the use of a blower time delay relay (TDR). All Lennox variable-speed furnaces and Air Handlers have time delay capabilities. Other Furnaces and Air Handlers may require an optional time delay relay (**58M81**) for field installation. See furnace or air handler specifications to determine if relay is needed.

Also see Expansion Valve Kit Usage Table.

AHRI SYSTEM MATCHES - ALL REGIONS - 018-024-030-041-042-047-048-060

NOTE - For the latest up-to-date system matches please visit the AHRI web site at <http://www.ahridirectory.org>

Model No.	Expansion Device	Capacity	SEER	EER	Coil or Air Handler	Furnace	AHRI Reference
EL16XC1-047-230A	TXV	47,500	15.50	12.50	C33-60D	EL180UH135E60D	8898555
EL16XC1-047-230A	TXV	47,000	15.10	12.50	C33-60D	EL195UH135XE60D	8898556
EL16XC1-047-230A	TXV	47,000	15.10	12.50	C33-60D	EL296UH135XE60D	8898557
EL16XC1-047-230A	TXV	46,500	14.50	12.20	C33-60D		9850168
EL16XC1-047-230A	TXV	48,000	16.00	13.00	C33-62C	EL180UH090E60C	8898558
EL16XC1-047-230A	TXV	47,500	16.00	13.00	C33-62C	EL180UH110E60C	8898559
EL16XC1-047-230A	TXV	47,500	16.00	13.00	C33-62C	EL180UH110XE60C	8898560
EL16XC1-047-230A	TXV	48,000	15.50	12.50	C33-62C	EL195UH090XE48C	8898561
EL16XC1-047-230A	TXV	48,000	15.50	13.00	C33-62C	EL195UH110XE60C	8898562
EL16XC1-047-230A	TXV	48,000	15.50	12.50	C33-62C	EL296UH090XE48C	8898563
EL16XC1-047-230A	TXV	48,000	15.50	13.00	C33-62C	EL296UH110XE60C	8898564
EL16XC1-047-230A	TXV	48,000	16.00	13.00	C33-62C	SL280UH090V60C	8898565
EL16XC1-047-230A	TXV	48,000	16.00	13.00	C33-62C	SL280UH090XV60C	8898566
EL16XC1-047-230A	TXV	48,000	16.00	13.00	C33-62C	SL280UH110V60C	8898567
EL16XC1-047-230A	TXV	48,000	16.00	13.00	C33-62C	SL280UH110XV60C	8898568
EL16XC1-047-230A	TXV	47,500	15.10	12.50	C33-62C		8898569
EL16XC1-047-230A	TXV	47,500	16.00	13.00	C33-62D	EL180UH135E60D	8898570
EL16XC1-047-230A	TXV	47,500	15.50	12.50	C33-62D	EL195UH135XE60D	8898571
EL16XC1-047-230A	TXV	47,500	15.50	12.50	C33-62D	EL296UH135XE60D	8898572
EL16XC1-047-230A	TXV	47,000	14.50	12.20	C33-62D		9850169
EL16XC1-047-230A	TXV	46,500	15.10	12.50	C35-48B	EL180UH090E48B	8898573
EL16XC1-047-230A	TXV	46,500	15.10	12.50	C35-48B	EL180UH090XE48B	8898574
EL16XC1-047-230A	TXV	47,000	15.50	12.50	C35-49C	EL180UH090E60C	8898575
EL16XC1-047-230A	TXV	47,000	15.50	12.50	C35-49C	EL180UH110E60C	8898576
EL16XC1-047-230A	TXV	47,000	15.50	12.50	C35-49C	EL180UH110XE60C	8898577
EL16XC1-047-230A	TXV	47,000	15.50	12.50	C35-49C	EL195UH090XE48C	8898578
EL16XC1-047-230A	TXV	47,000	15.50	12.50	C35-49C	EL195UH110XE60C	8898579
EL16XC1-047-230A	TXV	47,000	15.50	12.50	C35-49C	EL296UH090XE48C	8898580
EL16XC1-047-230A	TXV	47,000	15.50	12.50	C35-49C	EL296UH090XV48C	8898581
EL16XC1-047-230A	TXV	47,500	15.50	12.50	C35-49C	EL296UH090XV60C	8898582
EL16XC1-047-230A	TXV	47,000	15.50	12.50	C35-49C	EL296UH110XE60C	8898583
EL16XC1-047-230A	TXV	47,500	15.10	12.50	C35-49C	EL296UH110XV60C	8898584
EL16XC1-047-230A	TXV	47,500	15.50	12.50	C35-49C	SL280UH090V60C	8898585
EL16XC1-047-230A	TXV	47,000	15.50	12.50	C35-49C	SL280UH110V60C	8898586
EL16XC1-047-230A	TXV	47,000	15.50	12.50	C35-49C	SLP98UH090XV48C	8898587
EL16XC1-047-230A	TXV	47,500	15.50	12.50	C35-49C	SLP98UH090XV60C	8898588
EL16XC1-047-230A	TXV	47,500	15.10	12.50	C35-49C	SLP98UH110XV60C	8898589
EL16XC1-047-230A	TXV	47,000	14.50	12.20	C35-49C		9850170
EL16XC1-047-230A	TXV	46,000	15.10	12.50	C35-50/60C	EL180UH090E60C	8898590
EL16XC1-047-230A	TXV	46,000	15.10	12.50	C35-50/60C	EL180UH110E60C	8898591
EL16XC1-047-230A	TXV	46,000	15.10	12.50	C35-50/60C	EL180UH110XE60C	8898592
EL16XC1-047-230A	TXV	46,000	15.10	12.50	C35-50/60C	EL195UH090XE48C	8898593
EL16XC1-047-230A	TXV	46,000	15.10	12.50	C35-50/60C	EL195UH110XE60C	8898594
EL16XC1-047-230A	TXV	46,000	15.10	12.50	C35-50/60C	EL296UH090XE48C	8898595
EL16XC1-047-230A	TXV	46,000	15.10	12.50	C35-50/60C	EL296UH110XE60C	8898596
EL16XC1-047-230A	TXV	46,000	14.50	12.20	C35-50/60C		9850171
EL16XC1-047-230A	TXV	48,000	16.00	13.00	C35-60C	EL180UH090E60C	8898597
EL16XC1-047-230A	TXV	48,000	16.00	13.00	C35-60C	EL180UH110E60C	8898598
EL16XC1-047-230A	TXV	48,000	16.00	13.00	C35-60C	EL180UH110XE60C	8898599

NOTES:

TXV = Matched with Thermostatic Expansion Valve.

RFC = Matched with RFC metering device.

AHRI certified to AHRI Standard 210/240 (with 25 ft. of connecting refrigerant lines); 95°F outdoor air temperature, 80°F db / 67°F wb entering evaporator air.

All ratings include the use of a blower time delay relay (TDR). All Lennox variable-speed furnaces and Air Handlers have time delay capabilities. Other Furnaces and Air Handlers may require an optional time delay relay (**58M81**) for field installation. See furnace or air handler specifications to determine if relay is needed.

Also see Expansion Valve Kit Usage Table.

AHRI SYSTEM MATCHES - ALL REGIONS - 018-024-030-041-042-047-048-060

NOTE - For the latest up-to-date system matches please visit the AHRI web site at <http://www.ahridirectory.org>

Model No.	Expansion Device	Capacity	SEER	EER	Coil or Air Handler	Furnace	AHRI Reference
EL16XC1-047-230A	TXV	48,000	15.50	12.50	C35-60C	EL195UH090XE48C	8898600
EL16XC1-047-230A	TXV	48,000	16.00	13.00	C35-60C	EL195UH110XE60C	8898601
EL16XC1-047-230A	TXV	48,000	15.50	12.50	C35-60C	EL296UH090XE48C	8898602
EL16XC1-047-230A	TXV	48,000	16.00	13.00	C35-60C	EL296UH110XE60C	8898603
EL16XC1-047-230A	TXV	48,000	16.00	13.00	C35-60C	SL280UH090V60C	8898604
EL16XC1-047-230A	TXV	48,000	16.00	13.00	C35-60C	SL280UH090XV60C	8898605
EL16XC1-047-230A	TXV	48,000	16.00	13.00	C35-60C	SL280UH110V60C	8898606
EL16XC1-047-230A	TXV	48,000	16.00	13.00	C35-60C	SL280UH110XV60C	8898607
EL16XC1-047-230A	TXV	48,000	15.10	12.50	C35-60C		8898608
EL16XC1-047-230A	TXV	48,000	16.00	13.00	C35-60D	EL180UH135E60D	8898609
EL16XC1-047-230A	TXV	47,500	15.50	12.50	C35-60D	EL195UH135XE60D	8898610
EL16XC1-047-230A	TXV	47,500	15.50	12.50	C35-60D	EL296UH135XE60D	8898611
EL16XC1-047-230A	TXV	47,000	14.50	12.20	C35-60D		9850172
EL16XC1-047-230A	TXV	47,000	15.10	12.50	CBX25UH-048		8898612
EL16XC1-047-230A	TXV	47,500	16.00	13.00	CBX25UHV-048		8898613
EL16XC1-047-230A	TXV	47,000	16.00	13.00	CBX27UH-048		8898614
EL16XC1-047-230A	TXV	47,500	15.50	12.50	CBX32MV-060		8898615
EL16XC1-047-230A	TXV	47,000	15.10	12.50	CBX40UHV-060		8898616
EL16XC1-047-230A	TXV	47,500	15.50	12.50	CH33-43	EL180UH090E48B	8898617
EL16XC1-047-230A	TXV	46,500	15.50	12.50	CH33-43	EL180UH090E60C	8898621
EL16XC1-047-230A	TXV	47,500	15.50	12.50	CH33-43	EL180UH090XE48B	8898618
EL16XC1-047-230A	TXV	46,500	15.50	12.50	CH33-43	EL180UH110E60C	8898622
EL16XC1-047-230A	TXV	46,500	15.50	12.50	CH33-43	EL180UH110XE60C	8898623
EL16XC1-047-230A	TXV	47,500	15.10	12.50	CH33-43	SL280UH090V48B	8898619
EL16XC1-047-230A	TXV	46,500	15.10	12.50	CH33-43	SL280UH090V60C	8898628
EL16XC1-047-230A	TXV	47,500	15.10	12.50	CH33-43	SL280UH090XV48B	8898620
EL16XC1-047-230A	TXV	46,500	15.10	12.50	CH33-43	SL280UH110V60C	8898629
EL16XC1-047-230A	TXV	46,500	15.10	12.50	CH33-43C	EL195UH090XE48C	8898624
EL16XC1-047-230A	TXV	46,500	15.10	12.50	CH33-43C	EL195UH110XE60C	8898625
EL16XC1-047-230A	TXV	46,500	15.10	12.50	CH33-43C	EL296UH090XE48C	8898626
EL16XC1-047-230A	TXV	46,500	15.10	12.50	CH33-43C	EL296UH110XE60C	8898627
EL16XC1-047-230A	TXV	46,500	14.50	12.20	CH33-43C		8898894
EL16XC1-047-230A	TXV	46,000	14.50	12.50	CH33-44/48	EL180UH090E48B	8898630
EL16XC1-047-230A	TXV	46,000	14.50	12.50	CH33-44/48	EL180UH090XE48B	8898631
EL16XC1-047-230A	TXV	46,000	14.50	12.20	CH33-44/48	SL280UH090V48B	8898895
EL16XC1-047-230A	TXV	46,000	14.50	12.20	CH33-44/48	SL280UH090XV48B	8898896
EL16XC1-047-230A	TXV	46,000	15.10	12.50	CH33-48C	EL180UH090E60C	8898632
EL16XC1-047-230A	TXV	46,000	15.10	12.50	CH33-48C	EL180UH110E60C	8898633
EL16XC1-047-230A	TXV	46,000	15.10	12.50	CH33-48C	EL180UH110XE60C	8898634
EL16XC1-047-230A	TXV	46,000	15.10	12.50	CH33-48C	EL195UH090XE48C	8898635
EL16XC1-047-230A	TXV	46,000	15.10	12.50	CH33-48C	EL195UH110XE60C	8898636
EL16XC1-047-230A	TXV	46,000	15.10	12.50	CH33-48C	EL296UH090XE48C	8898637
EL16XC1-047-230A	TXV	46,000	14.50	12.50	CH33-48C	EL296UH090XV48C	8898638
EL16XC1-047-230A	TXV	46,500	14.50	12.50	CH33-48C	EL296UH090XV60C	8898639
EL16XC1-047-230A	TXV	46,000	15.10	12.50	CH33-48C	EL296UH110XE60C	8898640
EL16XC1-047-230A	TXV	46,500	14.50	12.50	CH33-48C	EL296UH110XV60C	8898641
EL16XC1-047-230A	TXV	46,500	15.10	12.50	CH33-48C	SL280UH090V60C	8898642
EL16XC1-047-230A	TXV	46,500	15.10	12.50	CH33-48C	SL280UH090XV60C	8898643
EL16XC1-047-230A	TXV	46,500	15.10	12.50	CH33-48C	SL280UH110V60C	8898644

NOTES:

TXV = Matched with Thermostatic Expansion Valve.

RFC = Matched with RFC metering device.

AHRI certified to AHRI Standard 210/240 (with 25 ft. of connecting refrigerant lines); 95°F outdoor air temperature, 80°F db / 67°F wb entering evaporator air. All ratings include the use of a blower time delay relay (TDR). All Lennox variable-speed furnaces and Air Handlers have time delay capabilities. Other Furnaces and Air Handlers may require an optional time delay relay (**58M81**) for field installation. See furnace or air handler specifications to determine if relay is needed.

Also see Expansion Valve Kit Usage Table.

AHRI SYSTEM MATCHES - ALL REGIONS - 018-024-030-041-042-047-048-060

NOTE - For the latest up-to-date system matches please visit the AHRI web site at <http://www.ahridirectory.org>

Model No.	Expansion Device	Capacity	SEER	EER	Coil or Air Handler	Furnace	AHRI Reference
EL16XC1-047-230A	TXV	46,500	15.10	12.50	CH33-48C	SL280UH110XV60C	8898645
EL16XC1-047-230A	TXV	46,000	14.50	12.50	CH33-48C	SLP98UH090XV48C	8898646
EL16XC1-047-230A	TXV	46,500	14.50	12.50	CH33-48C	SLP98UH090XV60C	8898647
EL16XC1-047-230A	TXV	46,500	14.50	12.50	CH33-48C	SLP98UH110XV60C	8898648
EL16XC1-047-230A	TXV	46,000	14.50	12.20	CH33-48C		8898897
EL16XC1-047-230A	TXV	47,000	15.50	12.50	CH33-49	EL180UH090E60C	8898649
EL16XC1-047-230A	TXV	47,000	15.50	12.50	CH33-49	EL180UH110E60C	8898650
EL16XC1-047-230A	TXV	47,000	15.50	12.50	CH33-49	EL180UH110XE60C	8898651
EL16XC1-047-230A	TXV	47,000	15.50	12.50	CH33-49	EL195UH090XE48C	8898652
EL16XC1-047-230A	TXV	47,000	15.50	12.50	CH33-49	EL195UH110XE60C	8898653
EL16XC1-047-230A	TXV	47,000	15.50	12.50	CH33-49	EL296UH090XE48C	8898654
EL16XC1-047-230A	TXV	47,000	15.10	12.50	CH33-49	EL296UH090XV48C	8898655
EL16XC1-047-230A	TXV	47,000	15.10	12.50	CH33-49	EL296UH090XV60C	8898656
EL16XC1-047-230A	TXV	47,000	15.50	12.50	CH33-49	EL296UH110XE60C	8898657
EL16XC1-047-230A	TXV	47,500	15.10	12.50	CH33-49	EL296UH110XV60C	8898658
EL16XC1-047-230A	TXV	47,000	15.10	12.50	CH33-49	SLP98UH090XV48C	8898659
EL16XC1-047-230A	TXV	47,000	15.10	12.50	CH33-49	SLP98UH090XV60C	8898660
EL16XC1-047-230A	TXV	47,500	15.10	12.50	CH33-49	SLP98UH110XV60C	8898661
EL16XC1-047-230A	TXV	47,000	14.50	12.20	CH33-49		9829641
EL16XC1-047-230A	TXV	47,000	15.50	12.50	CH33-50/60C	EL180UH090E60C	8898662
EL16XC1-047-230A	TXV	46,500	15.50	12.50	CH33-50/60C	EL180UH110E60C	8898663
EL16XC1-047-230A	TXV	46,500	15.50	12.50	CH33-50/60C	EL180UH110XE60C	8898664
EL16XC1-047-230A	TXV	47,000	15.10	12.50	CH33-50/60C	EL195UH090XE48C	8898665
EL16XC1-047-230A	TXV	47,000	15.50	12.50	CH33-50/60C	EL195UH110XE60C	8898666
EL16XC1-047-230A	TXV	47,000	15.10	12.50	CH33-50/60C	EL296UH090XE48C	8898667
EL16XC1-047-230A	TXV	47,000	15.50	12.50	CH33-50/60C	EL296UH110XE60C	8898668
EL16XC1-047-230A	TXV	47,000	14.50	12.20	CH33-50/60C		8898898
EL16XC1-047-230A	TXV	47,000	15.50	12.50	CH33-60D	EL180UH135E60D	8898669
EL16XC1-047-230A	TXV	46,500	15.10	12.50	CH33-60D	EL195UH135XE60D	8898670
EL16XC1-047-230A	TXV	46,500	15.10	12.50	CH33-60D	EL296UH135XE60D	8898671
EL16XC1-047-230A	TXV	47,500	15.50	12.50	CH33-62D	EL180UH135E60D	8898672
EL16XC1-047-230A	TXV	47,000	15.10	12.50	CH33-62D	EL195UH135XE60D	8898673
EL16XC1-047-230A	TXV	47,000	15.10	12.50	CH33-62D	EL296UH135XE60D	8898674
EL16XC1-047-230A	TXV	47,500	15.50	12.50	CH35-42B	EL180UH090E48B	8898675
EL16XC1-047-230A	TXV	47,500	15.10	12.50	CH35-42B	SL280UH090XV48B	8898676
EL16XC1-047-230A	TXV	47,500	14.50	12.50	CH35-42B		8898677
EL16XC1-047-230A	TXV	47,000	15.50	12.50	CH35-42C	EL180UH090E60C	8898678
EL16XC1-047-230A	TXV	46,500	15.50	12.50	CH35-42C	EL180UH110E60C	8898679
EL16XC1-047-230A	TXV	46,500	15.10	12.50	CH35-42C	EL195UH090XE48C	8898680
EL16XC1-047-230A	TXV	47,000	15.50	12.50	CH35-42C	EL195UH110XE60C	8898681
EL16XC1-047-230A	TXV	46,500	15.10	12.50	CH35-42C	EL296UH090XE48C	8898682
EL16XC1-047-230A	TXV	47,000	15.50	12.50	CH35-42C	EL296UH110XE60C	8898683
EL16XC1-047-230A	TXV	47,000	15.50	12.50	CH35-42C	SL280UH090V60C	8898684
EL16XC1-047-230A	TXV	47,000	15.10	12.50	CH35-42C	SL280UH110V60C	8898685
EL16XC1-047-230A	TXV	46,500	15.10	12.50	CH35-42C	SLP98UH090XV48C	8898686
EL16XC1-047-230A	TXV	47,000	15.10	12.50	CH35-42C	SLP98UH090XV60C	8898687
EL16XC1-047-230A	TXV	47,000	15.10	12.50	CH35-42C	SLP98UH110XV60C	8898688
EL16XC1-047-230A	TXV	46,500	14.50	12.20	CH35-42C		8898899
EL16XC1-047-230A	TXV	46,500	15.10	12.50	CH35-48B	EL180UH090E48B	8898689

NOTES:

TXV = Matched with Thermostatic Expansion Valve.

RFC = Matched with RFC metering device.

AHRI certified to AHRI Standard 210/240 (with 25 ft. of connecting refrigerant lines); 95°F outdoor air temperature, 80°F db / 67°F wb entering evaporator air.

All ratings include the use of a blower time delay relay (TDR). All Lennox variable-speed furnaces and Air Handlers have time delay capabilities. Other Furnaces and Air Handlers may require an optional time delay relay (**58M81**) for field installation. See furnace or air handler specifications to determine if relay is needed.

Also see Expansion Valve Kit Usage Table.

AHRI SYSTEM MATCHES - ALL REGIONS - 018-024-030-041-042-047-048-060

NOTE - For the latest up-to-date system matches please visit the AHRI web site at <http://www.ahridirectory.org>

Model No.	Expansion Device	Capacity	SEER	EER	Coil or Air Handler	Furnace	AHRI Reference
EL16XC1-047-230A	TXV	46,500	14.50	12.20	CH35-48B	SL280UH090V48B	8898900
EL16XC1-047-230A	TXV	46,500	14.50	12.20	CH35-48B		8898901
EL16XC1-047-230A	TXV	46,500	15.50	12.50	CH35-48C	EL180UH090E60C	8898690
EL16XC1-047-230A	TXV	46,500	15.50	12.50	CH35-48C	EL180UH110E60C	8898691
EL16XC1-047-230A	TXV	46,500	15.10	12.50	CH35-48C	EL195UH090XE48C	8898692
EL16XC1-047-230A	TXV	46,500	15.10	12.50	CH35-48C	EL195UH110XE60C	8898693
EL16XC1-047-230A	TXV	46,500	15.10	12.50	CH35-48C	EL296UH090XE48C	8898694
EL16XC1-047-230A	TXV	46,500	15.10	12.50	CH35-48C	EL296UH090XV48C	8898695
EL16XC1-047-230A	TXV	46,500	15.10	12.50	CH35-48C	EL296UH090XV60C	8898696
EL16XC1-047-230A	TXV	46,500	15.10	12.50	CH35-48C	EL296UH110XE60C	8898697
EL16XC1-047-230A	TXV	46,500	15.10	12.50	CH35-48C	EL296UH110XV60C	8898698
EL16XC1-047-230A	TXV	46,500	15.10	12.50	CH35-48C	SL280UH090V60C	8898699
EL16XC1-047-230A	TXV	46,500	15.10	12.50	CH35-48C	SL280UH110V60C	8898700
EL16XC1-047-230A	TXV	46,500	15.10	12.50	CH35-48C	SLP98UH090XV48C	8898701
EL16XC1-047-230A	TXV	46,500	15.10	12.50	CH35-48C	SLP98UH090XV60C	8898702
EL16XC1-047-230A	TXV	46,500	15.10	12.50	CH35-48C	SLP98UH110XV60C	8898703
EL16XC1-047-230A	TXV	46,500	14.50	12.20	CH35-48C		8898902
EL16XC1-047-230A	TXV	47,500	15.50	12.50	CH35-51C	EL180UH090E60C	8898704
EL16XC1-047-230A	TXV	47,000	15.50	12.50	CH35-51C	EL180UH110E60C	8898705
EL16XC1-047-230A	TXV	47,000	15.50	12.50	CH35-51C	EL195UH090XE48C	8898706
EL16XC1-047-230A	TXV	47,500	15.50	12.50	CH35-51C	EL195UH110XE60C	8898707
EL16XC1-047-230A	TXV	47,000	15.50	12.50	CH35-51C	EL296UH090XE48C	8898708
EL16XC1-047-230A	TXV	47,500	15.10	12.50	CH35-51C	EL296UH090XV48C	8898709
EL16XC1-047-230A	TXV	47,500	15.10	12.50	CH35-51C	EL296UH090XV60C	8898710
EL16XC1-047-230A	TXV	47,500	15.50	12.50	CH35-51C	EL296UH110XE60C	8898711
EL16XC1-047-230A	TXV	47,500	15.10	12.50	CH35-51C	EL296UH110XV60C	8898712
EL16XC1-047-230A	TXV	47,500	15.50	12.50	CH35-51C	SL280UH090V60C	8898713
EL16XC1-047-230A	TXV	47,500	15.50	12.50	CH35-51C	SL280UH110V60C	8898714
EL16XC1-047-230A	TXV	47,500	15.10	12.50	CH35-51C	SLP98UH090XV48C	8898715
EL16XC1-047-230A	TXV	47,500	15.10	12.50	CH35-51C	SLP98UH090XV60C	8898716
EL16XC1-047-230A	TXV	47,500	15.10	12.50	CH35-51C	SLP98UH110XV60C	8898717
EL16XC1-047-230A	TXV	47,000	14.50	12.20	CH35-51C		8898903
EL16XC1-047-230A	TXV	47,500	15.50	12.50	CH35-60D	EL180UH135E60D	8898718
EL16XC1-047-230A	TXV	47,000	15.10	12.50	CH35-60D	EL195UH135XE60D	8898719
EL16XC1-047-230A	TXV	47,000	15.10	12.50	CH35-60D	EL296UH135XE60D	8898720
EL16XC1-047-230A	TXV	47,000	15.50	12.50	CH35-60D	SL280UH135V60D	8898721
EL16XC1-047-230A	TXV	47,000	15.50	12.50	CH35-60D	SLP98UH135XV60D	10040427
EL16XC1-047-230A	TXV	47,000	14.50	12.20	CH35-60D		8898904
EL16XC1-047-230A	TXV	46,500	15.50	12.50	CR33-50/60	EL180DF110E60C	8898723
EL16XC1-047-230A	TXV	46,000	15.10	12.50	CR33-50/60	EL195DF090XE48C	8898724
EL16XC1-047-230A	TXV	46,000	15.10	12.50	CR33-50/60	EL195DF110XE60C	8898725
EL16XC1-047-230A	TXV	46,000	15.10	12.50	CR33-50/60	EL296DF090XE48C	8898726
EL16XC1-047-230A	TXV	46,000	15.10	12.50	CR33-50/60	EL296DF110XE60C	8898727
EL16XC1-047-230A	TXV	46,500	15.50	12.50	CR33-50/60	SL280DF090V60C	8898728
EL16XC1-047-230A	TXV	46,500	15.50	12.50	CR33-50/60	SL280DF110V60C	8898729
EL16XC1-047-230A	TXV	46,500	15.10	12.50	CX34-43	EL180UH090E48B	8898730
EL16XC1-047-230A	TXV	46,500	15.10	12.50	CX34-43	EL180UH090XE48B	8898731
EL16XC1-047-230A	TXV	46,500	14.50	12.50	CX34-43	SL280UH090V48B	8898732
EL16XC1-047-230A	TXV	46,500	14.50	12.50	CX34-43	SL280UH090XV48B	8898733

NOTES:

TXV = Matched with Thermostatic Expansion Valve.

RFC = Matched with RFC metering device.

AHRI certified to AHRI Standard 210/240 (with 25 ft. of connecting refrigerant lines); 95°F outdoor air temperature, 80°F db / 67°F wb entering evaporator air. All ratings include the use of a blower time delay relay (TDR). All Lennox variable-speed furnaces and Air Handlers have time delay capabilities. Other Furnaces and Air Handlers may require an optional time delay relay (**58M81**) for field installation. See furnace or air handler specifications to determine if relay is needed.

Also see Expansion Valve Kit Usage Table.

AHRI SYSTEM MATCHES - ALL REGIONS - 018-024-030-041-042-047-048-060

NOTE - For the latest up-to-date system matches please visit the AHRI web site at <http://www.ahridirectory.org>

Model No.	Expansion Device	Capacity	SEER	EER	Coil or Air Handler	Furnace	AHRI Reference
EL16XC1-047-230A	TXV	46,500	15.50	12.50	CX34-43C	EL180UH090E60C	8898734
EL16XC1-047-230A	TXV	46,000	15.50	12.50	CX34-43C	EL180UH110E60C	8898735
EL16XC1-047-230A	TXV	46,000	15.50	12.50	CX34-43C	EL180UH110XE60C	8898736
EL16XC1-047-230A	TXV	46,500	15.10	12.50	CX34-43C	EL195UH090XE48C	8898737
EL16XC1-047-230A	TXV	46,500	15.10	12.50	CX34-43C	EL195UH110XE60C	8898738
EL16XC1-047-230A	TXV	46,500	15.10	12.50	CX34-43C	EL296UH090XE48C	8898739
EL16XC1-047-230A	TXV	46,500	15.10	12.50	CX34-43C	EL296UH090XV48C	8898740
EL16XC1-047-230A	TXV	46,500	15.10	12.50	CX34-43C	EL296UH090XV60C	8898741
EL16XC1-047-230A	TXV	46,500	15.10	12.50	CX34-43C	EL296UH110XE60C	8898742
EL16XC1-047-230A	TXV	46,500	15.10	12.50	CX34-43C	EL296UH110XV48C	8898743
EL16XC1-047-230A	TXV	46,500	15.10	12.50	CX34-43C	EL296UH110XV60C	8898744
EL16XC1-047-230A	TXV	46,500	15.50	12.50	CX34-43C	SL280UH090V60C	8898745
EL16XC1-047-230A	TXV	46,500	15.50	12.50	CX34-43C	SL280UH090XV60C	8898746
EL16XC1-047-230A	TXV	46,500	15.50	12.50	CX34-43C	SL280UH110V60C	8898905
EL16XC1-047-230A	TXV	46,500	15.50	12.50	CX34-43C	SL280UH110XV60C	8898747
EL16XC1-047-230A	TXV	46,500	15.10	12.50	CX34-43C	SLP98UH090XV48C	8898748
EL16XC1-047-230A	TXV	46,500	15.10	12.50	CX34-43C	SLP98UH090XV60C	8898749
EL16XC1-047-230A	TXV	46,500	15.10	12.50	CX34-43C	SLP98UH110XV60C	8898750
EL16XC1-047-230A	TXV	46,000	14.50	12.20	CX34-43C		8898906
EL16XC1-047-230A	TXV	45,500	14.50	12.20	CX34-44/48	EL180UH090E48B	8898909
EL16XC1-047-230A	TXV	45,500	15.10	12.50	CX34-44/48	EL180UH090E60C	8898751
EL16XC1-047-230A	TXV	45,500	14.50	12.20	CX34-44/48	EL180UH090XE48B	8898910
EL16XC1-047-230A	TXV	45,500	14.50	12.50	CX34-44/48	EL195UH090XE48C	8898752
EL16XC1-047-230A	TXV	45,500	15.10	12.50	CX34-44/48	EL195UH110XE60C	8898753
EL16XC1-047-230A	TXV	45,500	14.50	12.50	CX34-44/48	EL296UH090XE48C	8898754
EL16XC1-047-230A	TXV	45,500	14.50	12.20	CX34-44/48	EL296UH090XV48C	8898907
EL16XC1-047-230A	TXV	45,500	14.50	12.20	CX34-44/48	EL296UH090XV60C	8898911
EL16XC1-047-230A	TXV	45,500	15.10	12.50	CX34-44/48	EL296UH110XE60C	8898755
EL16XC1-047-230A	TXV	45,500	14.50	12.20	CX34-44/48	EL296UH110XV60C	8898916
EL16XC1-047-230A	TXV	45,500	14.50	12.20	CX34-44/48	SL280UH090V48B	8898914
EL16XC1-047-230A	TXV	45,500	15.10	12.50	CX34-44/48	SL280UH090V60C	8898756
EL16XC1-047-230A	TXV	45,500	14.50	12.20	CX34-44/48	SL280UH090XV48B	8898915
EL16XC1-047-230A	TXV	45,500	15.10	12.50	CX34-44/48	SL280UH090XV60C	8898757
EL16XC1-047-230A	TXV	45,500	14.50	12.50	CX34-44/48	SL280UH110V60C	8898758
EL16XC1-047-230A	TXV	45,500	14.50	12.50	CX34-44/48	SL280UH110XV60C	8898759
EL16XC1-047-230A	TXV	45,500	14.50	12.20	CX34-44/48	SLP98UH090XV48C	8898908
EL16XC1-047-230A	TXV	45,500	14.50	12.20	CX34-44/48	SLP98UH090XV60C	8898912
EL16XC1-047-230A	TXV	45,500	14.50	12.20	CX34-44/48	SLP98UH110XV60C	8898917
EL16XC1-047-230A	TXV	45,500	14.25	12.00	CX34-44/48		8898913
EL16XC1-047-230A	TXV	47,000	15.50	12.50	CX34-49	EL180UH090E60C	8898760
EL16XC1-047-230A	TXV	47,000	15.50	12.50	CX34-49	EL180UH110E60C	8898761
EL16XC1-047-230A	TXV	47,000	15.50	12.50	CX34-49	EL180UH110XE60C	8898762
EL16XC1-047-230A	TXV	47,000	15.50	12.50	CX34-49	EL195UH090XE48C	8898763
EL16XC1-047-230A	TXV	47,000	15.50	12.50	CX34-49	EL195UH110XE60C	8898764
EL16XC1-047-230A	TXV	47,000	15.50	12.50	CX34-49	EL296UH090XE48C	8898765
EL16XC1-047-230A	TXV	47,000	15.10	12.50	CX34-49	EL296UH090XV48C	8898766
EL16XC1-047-230A	TXV	47,000	15.50	12.50	CX34-49	EL296UH090XV60C	8898767
EL16XC1-047-230A	TXV	47,000	15.50	12.50	CX34-49	EL296UH110XE60C	8898768
EL16XC1-047-230A	TXV	47,000	15.50	12.50	CX34-49	EL296UH110XV48C	8898769

NOTES:

TXV = Matched with Thermostatic Expansion Valve.

RFC = Matched with RFC metering device.

AHRI certified to AHRI Standard 210/240 (with 25 ft. of connecting refrigerant lines); 95°F outdoor air temperature, 80°F db / 67°F wb entering evaporator air.

All ratings include the use of a blower time delay relay (TDR). All Lennox variable-speed furnaces and Air Handlers have time delay capabilities. Other Furnaces and Air Handlers may require an optional time delay relay (**58M81**) for field installation. See furnace or air handler specifications to determine if relay is needed.

Also see Expansion Valve Kit Usage Table.

AHRI SYSTEM MATCHES - ALL REGIONS - 018-024-030-041-042-047-048-060

NOTE - For the latest up-to-date system matches please visit the AHRI web site at <http://www.ahridirectory.org>

Model No.	Expansion Device	Capacity	SEER	EER	Coil or Air Handler	Furnace	AHRI Reference
EL16XC1-047-230A	TXV	47,000	15.10	12.50	CX34-49	EL296UH110XV60C	8898770
EL16XC1-047-230A	TXV	47,000	15.50	12.50	CX34-49	SL280UH090V60C	8898771
EL16XC1-047-230A	TXV	47,000	15.50	12.50	CX34-49	SL280UH090XV60C	8898772
EL16XC1-047-230A	TXV	47,000	15.50	12.50	CX34-49	SL280UH110V60C	8898773
EL16XC1-047-230A	TXV	47,000	15.50	12.50	CX34-49	SL280UH110XV60C	8898774
EL16XC1-047-230A	TXV	47,000	15.10	12.50	CX34-49	SLP98UH090XV48C	8898775
EL16XC1-047-230A	TXV	47,000	15.50	12.50	CX34-49	SLP98UH090XV60C	8898776
EL16XC1-047-230A	TXV	47,000	15.10	12.50	CX34-49	SLP98UH110XV60C	8898777
EL16XC1-047-230A	TXV	47,000	14.50	12.20	CX34-49		8898918
EL16XC1-047-230A	TXV	46,000	15.10	12.50	CX34-50/60C	EL180UH090E60C	8898778
EL16XC1-047-230A	TXV	46,000	15.10	12.50	CX34-50/60C	EL180UH110E60C	8898779
EL16XC1-047-230A	TXV	46,000	15.10	12.50	CX34-50/60C	EL180UH110XE60C	8898780
EL16XC1-047-230A	TXV	46,000	15.10	12.50	CX34-50/60C	EL195UH090XE48C	8898781
EL16XC1-047-230A	TXV	46,000	15.10	12.50	CX34-50/60C	EL195UH110XE60C	8898782
EL16XC1-047-230A	TXV	46,000	15.10	12.50	CX34-50/60C	EL296UH090XE48C	8898783
EL16XC1-047-230A	TXV	46,000	14.50	12.50	CX34-50/60C	EL296UH090XV48C	8898784
EL16XC1-047-230A	TXV	46,000	14.50	12.20	CX34-50/60C	EL296UH090XV60C	8898919
EL16XC1-047-230A	TXV	46,000	15.10	12.50	CX34-50/60C	EL296UH110XE60C	8898785
EL16XC1-047-230A	TXV	46,000	15.10	12.50	CX34-50/60C	EL296UH110XV48C	8898786
EL16XC1-047-230A	TXV	46,500	14.50	12.50	CX34-50/60C	EL296UH110XV60C	8898787
EL16XC1-047-230A	TXV	46,500	15.10	12.50	CX34-50/60C	SL280UH090V60C	8898788
EL16XC1-047-230A	TXV	46,500	15.10	12.50	CX34-50/60C	SL280UH090XV60C	8898789
EL16XC1-047-230A	TXV	46,000	15.10	12.50	CX34-50/60C	SL280UH110V60C	8898790
EL16XC1-047-230A	TXV	46,000	15.10	12.50	CX34-50/60C	SL280UH110XV60C	8898791
EL16XC1-047-230A	TXV	46,000	14.50	12.50	CX34-50/60C	SLP98UH090XV48C	8898792
EL16XC1-047-230A	TXV	46,000	14.50	12.20	CX34-50/60C	SLP98UH090XV60C	8898920
EL16XC1-047-230A	TXV	46,500	14.50	12.50	CX34-50/60C	SLP98UH110XV60C	8898793
EL16XC1-047-230A	TXV	46,000	14.50	12.20	CX34-50/60C		8898921
EL16XC1-047-230A	TXV	47,500	15.50	12.50	CX34-60D	EL180UH135E60D	8898794
EL16XC1-047-230A	TXV	47,000	15.10	12.50	CX34-60D	EL195UH135XE60D	8898795
EL16XC1-047-230A	TXV	47,000	15.10	12.50	CX34-60D	EL296UH135XE60D	8898796
EL16XC1-047-230A	TXV	48,000	15.50	12.50	CX34-60D	EL296UH135XV60D	8898797
EL16XC1-047-230A	TXV	47,500	15.50	12.50	CX34-60D	SL280UH135V60D	8898798
EL16XC1-047-230A	TXV	48,000	15.50	12.50	CX34-60D	SLP98UH135XV60D	8898799
EL16XC1-047-230A	TXV	46,500	14.50	12.20	CX34-60D		8898922
EL16XC1-047-230A	TXV	48,000	16.00	13.00	CX34-62C	EL180UH090E60C	8898800
EL16XC1-047-230A	TXV	47,500	16.00	13.00	CX34-62C	EL180UH110E60C	8898801
EL16XC1-047-230A	TXV	47,500	16.00	13.00	CX34-62C	EL180UH110XE60C	8898802
EL16XC1-047-230A	TXV	48,000	15.50	12.50	CX34-62C	EL195UH090XE48C	8898803
EL16XC1-047-230A	TXV	48,000	15.50	13.00	CX34-62C	EL195UH110XE60C	8898804
EL16XC1-047-230A	TXV	48,000	15.50	12.50	CX34-62C	EL296UH090XE48C	8898805
EL16XC1-047-230A	TXV	48,000	15.50	12.50	CX34-62C	EL296UH090XV48C	8898806
EL16XC1-047-230A	TXV	48,000	15.50	12.50	CX34-62C	EL296UH090XV60C	8898807
EL16XC1-047-230A	TXV	48,000	15.50	13.00	CX34-62C	EL296UH110XE60C	8898808
EL16XC1-047-230A	TXV	48,000	15.50	12.50	CX34-62C	EL296UH110XV48C	8898809
EL16XC1-047-230A	TXV	48,000	15.50	12.50	CX34-62C	EL296UH110XV60C	8898810
EL16XC1-047-230A	TXV	48,000	16.00	13.00	CX34-62C	SL280UH090V60C	8898811
EL16XC1-047-230A	TXV	48,000	16.00	13.00	CX34-62C	SL280UH090XV60C	8898812
EL16XC1-047-230A	TXV	48,000	16.00	13.00	CX34-62C	SL280UH110V60C	8898813

NOTES:

TXV = Matched with Thermostatic Expansion Valve.

RFC = Matched with RFC metering device.

AHRI certified to AHRI Standard 210/240 (with 25 ft. of connecting refrigerant lines); 95°F outdoor air temperature, 80°F db / 67°F wb entering evaporator air. All ratings include the use of a blower time delay relay (TDR). All Lennox variable-speed furnaces and Air Handlers have time delay capabilities. Other Furnaces and Air Handlers may require an optional time delay relay (**58M81**) for field installation. See furnace or air handler specifications to determine if relay is needed.

Also see Expansion Valve Kit Usage Table.

AHRI SYSTEM MATCHES - ALL REGIONS - 018-024-030-041-042-047-048-060

NOTE - For the latest up-to-date system matches please visit the AHRI web site at <http://www.ahridirectory.org>

Model No.	Expansion Device	Capacity	SEER	EER	Coil or Air Handler	Furnace	AHRI Reference
EL16XC1-047-230A	TXV	48,000	16.00	13.00	CX34-62C	SL280UH110XV60C	8898814
EL16XC1-047-230A	TXV	48,000	15.50	12.50	CX34-62C	SLP98UH090XV48C	8898815
EL16XC1-047-230A	TXV	48,000	15.50	12.50	CX34-62C	SLP98UH090XV60C	8898816
EL16XC1-047-230A	TXV	48,000	15.50	12.50	CX34-62C	SLP98UH110XV60C	8898817
EL16XC1-047-230A	TXV	47,500	15.10	12.50	CX34-62C		8898818
EL16XC1-047-230A	TXV	47,500	16.00	13.00	CX34-62D	EL180UH135E60D	8898819
EL16XC1-047-230A	TXV	47,500	15.50	12.50	CX34-62D	EL195UH135XE60D	8898820
EL16XC1-047-230A	TXV	47,500	15.50	12.50	CX34-62D	EL296UH135XE60D	8898821
EL16XC1-047-230A	TXV	47,500	15.50	12.50	CX34-62D	EL296UH135XV60D	8898822
EL16XC1-047-230A	TXV	47,500	15.50	12.50	CX34-62D	SL280UH135V60D	8898823
EL16XC1-047-230A	TXV	47,500	15.50	12.50	CX34-62D	SLP98UH135XV60D	8898824
EL16XC1-047-230A	TXV	47,000	14.50	12.20	CX34-62D		8898923
EL16XC1-047-230A	TXV	46,500	15.10	12.50	CX35-48B	EL180UH090E48B	8898825
EL16XC1-047-230A	TXV	46,500	15.10	12.50	CX35-48B	EL180UH090XE48B	8898826
EL16XC1-047-230A	TXV	46,500	14.50	12.50	CX35-48B	SL280UH090V48B	8898827
EL16XC1-047-230A	TXV	46,500	14.50	12.50	CX35-48B	SL280UH090XV48B	8898828
EL16XC1-047-230A	TXV	46,500	15.50	12.50	CX35-48C	EL180UH090E60C	8898829
EL16XC1-047-230A	TXV	47,000	14.50	12.50	CX35-48C	EL180UH110E60C	8898830
EL16XC1-047-230A	TXV	46,500	15.10	12.50	CX35-48C	EL195UH090XE48C	8898831
EL16XC1-047-230A	TXV	46,500	15.10	12.50	CX35-48C	EL195UH110XE60C	8898832
EL16XC1-047-230A	TXV	46,500	15.10	12.50	CX35-48C	EL296UH090XE48C	8898833
EL16XC1-047-230A	TXV	46,500	15.10	12.50	CX35-48C	EL296UH090XV48C	8898834
EL16XC1-047-230A	TXV	46,500	14.50	12.50	CX35-48C	EL296UH090XV60C	8898835
EL16XC1-047-230A	TXV	46,500	15.10	12.50	CX35-48C	EL296UH110XE60C	8898836
EL16XC1-047-230A	TXV	46,500	15.10	12.50	CX35-48C	EL296UH110XV60C	8898837
EL16XC1-047-230A	TXV	46,500	15.10	12.50	CX35-48C	SL280UH090V60C	8898838
EL16XC1-047-230A	TXV	46,500	15.10	12.50	CX35-48C	SL280UH110V60C	8898839
EL16XC1-047-230A	TXV	46,500	15.10	12.50	CX35-48C	SLP98UH090XV48C	8898840
EL16XC1-047-230A	TXV	46,500	14.50	12.50	CX35-48C	SLP98UH090XV60C	8898841
EL16XC1-047-230A	TXV	46,500	15.10	12.50	CX35-48C	SLP98UH110XV60C	8898842
EL16XC1-047-230A	TXV	47,000	15.50	12.50	CX35-49C	EL180UH090E60C	8898845
EL16XC1-047-230A	TXV	47,000	15.50	12.50	CX35-49C	EL180UH110E60C	8898843
EL16XC1-047-230A	TXV	47,000	15.50	12.50	CX35-49C	EL180UH110XE60C	8898844
EL16XC1-047-230A	TXV	47,000	15.50	12.50	CX35-49C	EL195UH090XE48C	8898846
EL16XC1-047-230A	TXV	47,000	15.50	12.50	CX35-49C	EL195UH110XE60C	8898847
EL16XC1-047-230A	TXV	47,000	15.50	12.50	CX35-49C	EL296UH090XE48C	8898848
EL16XC1-047-230A	TXV	47,000	15.50	12.50	CX35-49C	EL296UH090XV48C	8898849
EL16XC1-047-230A	TXV	47,500	15.50	12.50	CX35-49C	EL296UH090XV60C	8898850
EL16XC1-047-230A	TXV	47,000	15.50	12.50	CX35-49C	EL296UH110XE60C	8898851
EL16XC1-047-230A	TXV	47,500	15.10	12.50	CX35-49C	EL296UH110XV60C	8898852
EL16XC1-047-230A	TXV	47,500	15.50	12.50	CX35-49C	SL280UH090V60C	8898853
EL16XC1-047-230A	TXV	47,000	15.50	12.50	CX35-49C	SL280UH110V60C	8898854
EL16XC1-047-230A	TXV	47,000	15.50	12.50	CX35-49C	SLP98UH090XV48C	8898855
EL16XC1-047-230A	TXV	47,500	15.50	12.50	CX35-49C	SLP98UH090XV60C	8898856
EL16XC1-047-230A	TXV	47,500	15.10	12.50	CX35-49C	SLP98UH110XV60C	8898857
EL16XC1-047-230A	TXV	47,000	14.50	12.20	CX35-49C		8898924
EL16XC1-047-230A	TXV	46,000	15.10	12.50	CX35-50/60C	EL180UH090E60C	8898858
EL16XC1-047-230A	TXV	46,000	15.10	12.50	CX35-50/60C	EL180UH110E60C	8898859
EL16XC1-047-230A	TXV	46,000	15.10	12.50	CX35-50/60C	EL180UH110XE60C	8898860

NOTES:

TXV = Matched with Thermostatic Expansion Valve.

RFC = Matched with RFC metering device.

AHRI certified to AHRI Standard 210/240 (with 25 ft. of connecting refrigerant lines); 95°F outdoor air temperature, 80°F db / 67°F wb entering evaporator air.

All ratings include the use of a blower time delay relay (TDR). All Lennox variable-speed furnaces and Air Handlers have time delay capabilities. Other Furnaces and Air Handlers may require an optional time delay relay (**58M81**) for field installation. See furnace or air handler specifications to determine if relay is needed.

Also see Expansion Valve Kit Usage Table.

AHRI SYSTEM MATCHES - ALL REGIONS - 018-024-030-041-042-047-048-060

NOTE - For the latest up-to-date system matches please visit the AHRI web site at <http://www.ahridirectory.org>

Model No.	Expansion Device	Capacity	SEER	EER	Coil or Air Handler	Furnace	AHRI Reference
EL16XC1-047-230A	TXV	46,000	15.10	12.50	CX35-50/60C	EL195UH090XE48C	8898861
EL16XC1-047-230A	TXV	46,000	15.10	12.50	CX35-50/60C	EL195UH110XE60C	8898862
EL16XC1-047-230A	TXV	46,000	15.10	12.50	CX35-50/60C	EL296UH090XE48C	8898863
EL16XC1-047-230A	TXV	46,000	15.10	12.50	CX35-50/60C	EL296UH110XE60C	8898864
EL16XC1-047-230A	TXV	46,500	15.10	12.50	CX35-50/60C	SL280UH090V60C	8898865
EL16XC1-047-230A	TXV	46,500	15.10	12.50	CX35-50/60C	SL280UH090XV60C	8898866
EL16XC1-047-230A	TXV	46,000	15.10	12.50	CX35-50/60C	SL280UH110V60C	8898867
EL16XC1-047-230A	TXV	46,000	15.10	12.50	CX35-50/60C	SL280UH110XV60C	8898868
EL16XC1-047-230A	TXV	46,000	14.50	12.50	CX35-50/60C	SLP98UH090XV48C	8898869
EL16XC1-047-230A	TXV	46,000	14.50	12.20	CX35-50/60C	SLP98UH090XV60C	8898925
EL16XC1-047-230A	TXV	46,500	14.50	12.50	CX35-50/60C	SLP98UH110XV60C	8898870
EL16XC1-047-230A	TXV	46,000	14.50	12.20	CX35-50/60C		8898926
EL16XC1-047-230A	TXV	48,000	16.00	13.00	CX35-60C	EL180UH090E60C	8898871
EL16XC1-047-230A	TXV	48,000	16.00	13.00	CX35-60C	EL180UH110E60C	8898872
EL16XC1-047-230A	TXV	48,000	16.00	13.00	CX35-60C	EL180UH110XE60C	8898873
EL16XC1-047-230A	TXV	48,000	15.50	12.50	CX35-60C	EL195UH090XE48C	8898874
EL16XC1-047-230A	TXV	48,000	16.00	13.00	CX35-60C	EL195UH110XE60C	8898875
EL16XC1-047-230A	TXV	48,000	15.50	12.50	CX35-60C	EL296UH090XE48C	8898876
EL16XC1-047-230A	TXV	48,000	16.00	13.00	CX35-60C	EL296UH110XE60C	8898877
EL16XC1-047-230A	TXV	48,000	16.00	13.00	CX35-60C	SL280UH090V60C	8898878
EL16XC1-047-230A	TXV	48,000	16.00	13.00	CX35-60C	SL280UH090XV60C	8898879
EL16XC1-047-230A	TXV	48,000	16.00	13.00	CX35-60C	SL280UH110V60C	8898880
EL16XC1-047-230A	TXV	48,000	16.00	13.00	CX35-60C	SL280UH110XV60C	8898881
EL16XC1-047-230A	TXV	48,000	15.50	12.50	CX35-60C	SLP98UH090XV48C	8898882
EL16XC1-047-230A	TXV	48,000	15.50	12.50	CX35-60C	SLP98UH090XV60C	8898883
EL16XC1-047-230A	TXV	48,000	15.50	12.50	CX35-60C	SLP98UH110XV60C	8898884
EL16XC1-047-230A	TXV	48,000	15.10	12.50	CX35-60C		8898885
EL16XC1-047-230A	TXV	48,000	16.00	13.00	CX35-60D	EL180UH135E60D	8898886
EL16XC1-047-230A	TXV	47,500	15.50	12.50	CX35-60D	EL195UH135XE60D	8898887
EL16XC1-047-230A	TXV	47,500	15.50	12.50	CX35-60D	EL296UH135XE60D	8898888
EL16XC1-047-230A	TXV	47,500	15.50	12.50	CX35-60D	SL280UH135V60D	8898889
EL16XC1-047-230A	TXV	48,000	15.50	12.50	CX35-60D	SLP98UH135XV60D	8898890
EL16XC1-047-230A	TXV	47,000	14.50	12.20	CX35-60D		8898927
EL16XC1-048-230A	RFC	47,000	14.00	12.20	C33-62C		8810985
EL16XC1-048-230A	TXV	46,000	14.50	12.20	C33-43B	EL180UH090E48B	8810887
EL16XC1-048-230A	TXV	46,000	14.50	12.20	C33-43B	EL180UH090XE48B	8810888
EL16XC1-048-230A	TXV	46,000	14.50	12.50	C33-43C	EL180UH090E60C	8810889
EL16XC1-048-230A	TXV	46,000	14.50	12.50	C33-43C	EL180UH110E60C	8810890
EL16XC1-048-230A	TXV	46,000	14.50	12.50	C33-43C	EL180UH110XE60C	8810891
EL16XC1-048-230A	TXV	46,000	14.50	12.50	C33-43C	EL195UH090XE48C	8810892
EL16XC1-048-230A	TXV	46,000	14.50	12.50	C33-43C	EL195UH110XE60C	8810893
EL16XC1-048-230A	TXV	46,000	14.50	12.50	C33-43C	EL296UH090XE48C	8810894
EL16XC1-048-230A	TXV	46,000	14.50	12.20	C33-43C	EL296UH090XV48C	8810895
EL16XC1-048-230A	TXV	46,000	14.50	12.20	C33-43C	EL296UH090XV60C	8810896
EL16XC1-048-230A	TXV	46,000	14.50	12.50	C33-43C	EL296UH110XE60C	8810897
EL16XC1-048-230A	TXV	46,000	14.50	12.50	C33-43C	EL296UH110XV48C	8810898
EL16XC1-048-230A	TXV	46,000	14.50	12.20	C33-43C	EL296UH110XV60C	8810899
EL16XC1-048-230A	TXV	46,000	14.50	12.50	C33-43C	SL280UH090V60C	8810900
EL16XC1-048-230A	TXV	46,000	14.50	12.50	C33-43C	SL280UH090XV60C	8810901

NOTES:

TXV = Matched with Thermostatic Expansion Valve.

RFC = Matched with RFC metering device.

AHRI certified to AHRI Standard 210/240 (with 25 ft. of connecting refrigerant lines); 95°F outdoor air temperature, 80°F db / 67°F wb entering evaporator air. All ratings include the use of a blower time delay relay (TDR). All Lennox variable-speed furnaces and Air Handlers have time delay capabilities. Other Furnaces and Air Handlers may require an optional time delay relay (**58M81**) for field installation. See furnace or air handler specifications to determine if relay is needed.

Also see Expansion Valve Kit Usage Table.

AHRI SYSTEM MATCHES - ALL REGIONS - 018-024-030-041-042-047-048-060

NOTE - For the latest up-to-date system matches please visit the AHRI web site at <http://www.ahridirectory.org>

Model No.	Expansion Device	Capacity	SEER	EER	Coil or Air Handler	Furnace	AHRI Reference
EL16XC1-048-230A	TXV	46,000	14.50	12.50	C33-43C	SL280UH110V60C	8810902
EL16XC1-048-230A	TXV	46,000	14.50	12.50	C33-43C	SL280UH110XV60C	8810903
EL16XC1-048-230A	TXV	46,000	14.50	12.20	C33-43C	SLP98UH090XV48C	8810904
EL16XC1-048-230A	TXV	46,000	14.50	12.20	C33-43C	SLP98UH090XV60C	8810905
EL16XC1-048-230A	TXV	46,000	14.50	12.20	C33-43C	SLP98UH110XV60C	8810906
EL16XC1-048-230A	TXV	45,000	14.00	12.00	C33-48B	EL180UH090E48B	8810907
EL16XC1-048-230A	TXV	45,000	14.00	12.00	C33-48B	EL180UH090XE48B	8810908
EL16XC1-048-230A	TXV	45,000	14.50	12.20	C33-48C	EL180UH090E60C	8810909
EL16XC1-048-230A	TXV	44,500	14.50	12.20	C33-48C	EL180UH110E60C	8810910
EL16XC1-048-230A	TXV	44,500	14.50	12.20	C33-48C	EL180UH110XE60C	8810911
EL16XC1-048-230A	TXV	45,000	14.25	12.20	C33-48C	EL195UH090XE48C	8810912
EL16XC1-048-230A	TXV	45,000	14.25	12.20	C33-48C	EL195UH110XE60C	8810913
EL16XC1-048-230A	TXV	45,000	14.25	12.20	C33-48C	EL296UH090XE48C	8810914
EL16XC1-048-230A	TXV	45,000	14.00	12.00	C33-48C	EL296UH090XV48C	8810915
EL16XC1-048-230A	TXV	45,000	14.25	12.20	C33-48C	EL296UH110XE60C	8810916
EL16XC1-048-230A	TXV	45,000	14.00	12.00	C33-48C	EL296UH110XV48C	8810917
EL16XC1-048-230A	TXV	45,000	14.25	12.20	C33-48C	SL280UH090V60C	8810918
EL16XC1-048-230A	TXV	45,000	14.25	12.20	C33-48C	SL280UH090XV60C	8810919
EL16XC1-048-230A	TXV	45,000	14.25	12.20	C33-48C	SL280UH110V60C	8810920
EL16XC1-048-230A	TXV	45,000	14.25	12.20	C33-48C	SL280UH110XV60C	8810921
EL16XC1-048-230A	TXV	45,000	14.00	12.00	C33-48C	SLP98UH090XV48C	8810922
EL16XC1-048-230A	TXV	47,000	15.10	12.50	C33-49	EL180UH090E60C	8810924
EL16XC1-048-230A	TXV	46,500	15.10	12.50	C33-49	EL180UH110E60C	8810925
EL16XC1-048-230A	TXV	46,500	15.10	12.50	C33-49	EL180UH110XE60C	8810926
EL16XC1-048-230A	TXV	47,000	14.50	12.50	C33-49	EL195UH090XE48C	8810927
EL16XC1-048-230A	TXV	47,000	15.10	12.50	C33-49	EL195UH110XE60C	8810928
EL16XC1-048-230A	TXV	47,000	14.50	12.50	C33-49	EL296UH090XE48C	8810929
EL16XC1-048-230A	TXV	47,000	14.50	12.50	C33-49	EL296UH090XV48C	8810930
EL16XC1-048-230A	TXV	47,000	14.50	12.50	C33-49	EL296UH090XV60C	8810931
EL16XC1-048-230A	TXV	47,000	15.10	12.50	C33-49	EL296UH110XE60C	8810932
EL16XC1-048-230A	TXV	47,000	14.50	12.50	C33-49	EL296UH110XV48C	8810933
EL16XC1-048-230A	TXV	47,000	14.50	12.50	C33-49	EL296UH110XV60C	8810934
EL16XC1-048-230A	TXV	47,000	15.10	12.50	C33-49	SL280UH090V60C	8810935
EL16XC1-048-230A	TXV	47,000	15.10	12.50	C33-49	SL280UH090XV60C	8810936
EL16XC1-048-230A	TXV	47,000	15.10	12.50	C33-49	SL280UH110V60C	8810937
EL16XC1-048-230A	TXV	47,000	15.10	12.50	C33-49	SL280UH110XV60C	8810938
EL16XC1-048-230A	TXV	47,000	14.50	12.50	C33-49	SLP98UH090XV48C	8810939
EL16XC1-048-230A	TXV	47,000	14.50	12.50	C33-49	SLP98UH090XV60C	8810940
EL16XC1-048-230A	TXV	47,000	14.50	12.50	C33-49	SLP98UH110XV60C	8810941
EL16XC1-048-230A	TXV	46,500	14.25	12.00	C33-49		8810923
EL16XC1-048-230A	TXV	45,500	14.50	12.50	C33-50/60C	EL180UH090E60C	8810942
EL16XC1-048-230A	TXV	45,000	14.50	12.50	C33-50/60C	EL180UH110E60C	8810943
EL16XC1-048-230A	TXV	45,000	14.50	12.50	C33-50/60C	EL180UH110XE60C	8810944
EL16XC1-048-230A	TXV	45,500	14.25	12.20	C33-50/60C	EL195UH090XE48C	8810945
EL16XC1-048-230A	TXV	45,500	14.50	12.20	C33-50/60C	EL195UH110XE60C	8810946
EL16XC1-048-230A	TXV	45,500	14.25	12.20	C33-50/60C	EL296UH090XE48C	8810947
EL16XC1-048-230A	TXV	45,500	14.25	12.20	C33-50/60C	EL296UH090XV48C	8810948
EL16XC1-048-230A	TXV	45,500	14.25	12.00	C33-50/60C	EL296UH090XV60C	8810949
EL16XC1-048-230A	TXV	45,500	14.50	12.20	C33-50/60C	EL296UH110XE60C	8810950

NOTES:

TXV = Matched with Thermostatic Expansion Valve.

RFC = Matched with RFC metering device.

AHRI certified to AHRI Standard 210/240 (with 25 ft. of connecting refrigerant lines); 95°F outdoor air temperature, 80°F db / 67°F wb entering evaporator air.

All ratings include the use of a blower time delay relay (TDR). All Lennox variable-speed furnaces and Air Handlers have time delay capabilities. Other Furnaces and Air Handlers may require an optional time delay relay (**58M81**) for field installation. See furnace or air handler specifications to determine if relay is needed.

Also see Expansion Valve Kit Usage Table.

AHRI SYSTEM MATCHES - ALL REGIONS - 018-024-030-041-042-047-048-060

NOTE - For the latest up-to-date system matches please visit the AHRI web site at <http://www.ahridirectory.org>

Model No.	Expansion Device	Capacity	SEER	EER	Coil or Air Handler	Furnace	AHRI Reference
EL16XC1-048-230A	TXV	45,500	14.25	12.20	C33-50/60C	EL296UH110XV48C	8810951
EL16XC1-048-230A	TXV	46,000	14.25	12.20	C33-50/60C	EL296UH110XV60C	8810952
EL16XC1-048-230A	TXV	46,000	14.50	12.20	C33-50/60C	SL280UH090V60C	8810953
EL16XC1-048-230A	TXV	46,000	14.50	12.20	C33-50/60C	SL280UH090XV60C	8810954
EL16XC1-048-230A	TXV	45,500	14.50	12.20	C33-50/60C	SL280UH110V60C	8810955
EL16XC1-048-230A	TXV	45,500	14.50	12.20	C33-50/60C	SL280UH110XV60C	8810956
EL16XC1-048-230A	TXV	45,500	14.25	12.20	C33-50/60C	SLP98UH090XV48C	8810957
EL16XC1-048-230A	TXV	45,500	14.25	12.00	C33-50/60C	SLP98UH090XV60C	8810958
EL16XC1-048-230A	TXV	46,000	14.25	12.20	C33-50/60C	SLP98UH110XV60C	8810959
EL16XC1-048-230A	TXV	47,000	15.10	12.50	C33-60D	EL180UH135E60D	8810960
EL16XC1-048-230A	TXV	46,500	14.50	12.50	C33-60D	EL195UH135XE60D	8810961
EL16XC1-048-230A	TXV	46,500	14.50	12.50	C33-60D	EL296UH135XE60D	8810962
EL16XC1-048-230A	TXV	47,000	14.50	12.50	C33-60D	EL296UH135XV60D	8810963
EL16XC1-048-230A	TXV	47,000	15.00	12.50	C33-60D	SL280UH135V60D	8810964
EL16XC1-048-230A	TXV	47,000	14.50	12.50	C33-60D	SLP98UH135XV60D	8810965
EL16XC1-048-230A	TXV	46,500	14.00	12.00	C33-60D		8810966
EL16XC1-048-230A	TXV	47,500	15.10	12.50	C33-62C	EL180UH090E60C	8810967
EL16XC1-048-230A	TXV	47,000	15.10	12.50	C33-62C	EL180UH110E60C	8810968
EL16XC1-048-230A	TXV	47,000	15.10	12.50	C33-62C	EL180UH110XE60C	8810969
EL16XC1-048-230A	TXV	47,500	15.10	12.50	C33-62C	EL195UH090XE48C	8810970
EL16XC1-048-230A	TXV	47,500	15.10	12.50	C33-62C	EL195UH110XE60C	8810971
EL16XC1-048-230A	TXV	47,500	15.10	12.50	C33-62C	EL296UH090XE48C	8810972
EL16XC1-048-230A	TXV	47,500	14.50	12.50	C33-62C	EL296UH090XV48C	8810973
EL16XC1-048-230A	TXV	47,500	15.10	12.50	C33-62C	EL296UH090XV60C	8810974
EL16XC1-048-230A	TXV	47,500	15.10	12.50	C33-62C	EL296UH110XE60C	8810975
EL16XC1-048-230A	TXV	47,500	15.10	12.50	C33-62C	EL296UH110XV48C	8810976
EL16XC1-048-230A	TXV	47,500	14.50	12.50	C33-62C	EL296UH110XV60C	8810977
EL16XC1-048-230A	TXV	47,500	15.10	12.50	C33-62C	SL280UH090V60C	8810978
EL16XC1-048-230A	TXV	47,500	15.10	12.50	C33-62C	SL280UH090XV60C	8810979
EL16XC1-048-230A	TXV	47,500	15.10	12.50	C33-62C	SL280UH110V60C	8810980
EL16XC1-048-230A	TXV	47,500	15.10	12.50	C33-62C	SL280UH110XV60C	8810981
EL16XC1-048-230A	TXV	47,500	14.50	12.50	C33-62C	SLP98UH090XV48C	8810982
EL16XC1-048-230A	TXV	47,500	15.10	12.50	C33-62C	SLP98UH090XV60C	8810983
EL16XC1-048-230A	TXV	47,500	14.50	12.50	C33-62C	SLP98UH110XV60C	8810984
EL16XC1-048-230A	TXV	47,000	14.25	12.20	C33-62C		8810986
EL16XC1-048-230A	TXV	47,500	15.10	12.50	C33-62D	EL180UH135E60D	8810987
EL16XC1-048-230A	TXV	47,000	14.50	12.50	C33-62D	EL195UH135XE60D	8810988
EL16XC1-048-230A	TXV	47,000	14.50	12.50	C33-62D	EL296UH135XE60D	8810989
EL16XC1-048-230A	TXV	47,500	14.50	12.50	C33-62D	EL296UH135XV60D	8810990
EL16XC1-048-230A	TXV	47,000	15.10	12.50	C33-62D	SL280UH135V60D	8810991
EL16XC1-048-230A	TXV	47,500	14.50	12.50	C33-62D	SLP98UH135XV60D	8810992
EL16XC1-048-230A	TXV	47,000	14.25	12.20	C33-62D		8810993
EL16XC1-048-230A	TXV	46,000	14.50	12.20	C35-48B	EL180UH090E48B	8810994
EL16XC1-048-230A	TXV	46,000	14.50	12.20	C35-48B	EL180UH090XE48B	8810995
EL16XC1-048-230A	TXV	46,000	14.50	12.50	C35-48C	EL180UH090E60C	8810996
EL16XC1-048-230A	TXV	46,000	14.50	12.50	C35-48C	EL180UH110E60C	8810997
EL16XC1-048-230A	TXV	46,000	14.50	12.50	C35-48C	EL180UH110XE60C	8810998
EL16XC1-048-230A	TXV	46,000	14.50	12.50	C35-48C	EL195UH090XE48C	8810999
EL16XC1-048-230A	TXV	46,000	14.50	12.50	C35-48C	EL195UH110XE60C	8811000

NOTES:

TXV = Matched with Thermostatic Expansion Valve.

RFC = Matched with RFC metering device.

AHRI certified to AHRI Standard 210/240 (with 25 ft. of connecting refrigerant lines); 95°F outdoor air temperature, 80°F db / 67°F wb entering evaporator air.

All ratings include the use of a blower time delay relay (TDR). All Lennox variable-speed furnaces and Air Handlers have time delay capabilities. Other Furnaces and Air Handlers may require an optional time delay relay (**58M81**) for field installation. See furnace or air handler specifications to determine if relay is needed.

Also see Expansion Valve Kit Usage Table.

AHRI SYSTEM MATCHES - ALL REGIONS - 018-024-030-041-042-047-048-060

NOTE - For the latest up-to-date system matches please visit the AHRI web site at <http://www.ahridirectory.org>

Model No.	Expansion Device	Capacity	SEER	EER	Coil or Air Handler	Furnace	AHRI Reference
EL16XC1-048-230A	TXV	46,000	14.50	12.50	C35-48C	EL296UH090XE48C	8811001
EL16XC1-048-230A	TXV	46,500	14.50	12.20	C35-48C	EL296UH090XV48C	8811002
EL16XC1-048-230A	TXV	46,500	14.50	12.50	C35-48C	EL296UH090XV60C	8811003
EL16XC1-048-230A	TXV	46,000	14.50	12.50	C35-48C	EL296UH110XE60C	8811004
EL16XC1-048-230A	TXV	46,000	14.50	12.50	C35-48C	EL296UH110XV48C	8811005
EL16XC1-048-230A	TXV	46,500	14.50	12.50	C35-48C	EL296UH110XV60C	8811006
EL16XC1-048-230A	TXV	46,500	14.50	12.50	C35-48C	SL280UH090V60C	8811007
EL16XC1-048-230A	TXV	46,500	14.50	12.50	C35-48C	SL280UH090XV60C	8811008
EL16XC1-048-230A	TXV	46,500	14.50	12.50	C35-48C	SL280UH110V60C	8811009
EL16XC1-048-230A	TXV	46,500	14.50	12.50	C35-48C	SL280UH110XV60C	8811010
EL16XC1-048-230A	TXV	46,500	14.50	12.20	C35-48C	SLP98UH090XV48C	8811011
EL16XC1-048-230A	TXV	46,500	14.50	12.50	C35-48C	SLP98UH090XV60C	8811012
EL16XC1-048-230A	TXV	46,500	14.50	12.50	C35-48C	SLP98UH110XV60C	8811013
EL16XC1-048-230A	TXV	47,000	15.10	12.50	C35-49C	EL180UH090E60C	8811014
EL16XC1-048-230A	TXV	47,000	15.10	12.50	C35-49C	EL180UH110E60C	8811015
EL16XC1-048-230A	TXV	47,000	15.10	12.50	C35-49C	EL180UH110XE60C	8811016
EL16XC1-048-230A	TXV	47,000	14.50	12.50	C35-49C	EL195UH090XE48C	8811017
EL16XC1-048-230A	TXV	47,000	15.10	12.50	C35-49C	EL195UH110XE60C	8811018
EL16XC1-048-230A	TXV	47,000	14.50	12.50	C35-49C	EL296UH090XE48C	8811019
EL16XC1-048-230A	TXV	47,000	14.50	12.50	C35-49C	EL296UH090XV48C	8811020
EL16XC1-048-230A	TXV	47,000	14.50	12.50	C35-49C	EL296UH090XV60C	8811021
EL16XC1-048-230A	TXV	47,000	15.10	12.50	C35-49C	EL296UH110XE60C	8811022
EL16XC1-048-230A	TXV	47,000	14.50	12.50	C35-49C	EL296UH110XV48C	8811023
EL16XC1-048-230A	TXV	47,000	14.50	12.50	C35-49C	EL296UH110XV60C	8811024
EL16XC1-048-230A	TXV	47,000	15.10	12.50	C35-49C	SL280UH090V60C	8811025
EL16XC1-048-230A	TXV	47,000	15.10	12.50	C35-49C	SL280UH090XV60C	8811026
EL16XC1-048-230A	TXV	47,000	15.10	12.50	C35-49C	SL280UH110V60C	8811027
EL16XC1-048-230A	TXV	47,000	15.10	12.50	C35-49C	SL280UH110XV60C	8811028
EL16XC1-048-230A	TXV	47,000	14.50	12.50	C35-49C	SLP98UH090XV48C	8811029
EL16XC1-048-230A	TXV	47,000	14.50	12.50	C35-49C	SLP98UH090XV60C	8811030
EL16XC1-048-230A	TXV	47,000	14.50	12.50	C35-49C	SLP98UH110XV60C	8811031
EL16XC1-048-230A	TXV	47,000	14.25	12.20	C35-49C		8811032
EL16XC1-048-230A	TXV	45,500	14.50	12.50	C35-50/60C	EL180UH090E60C	8811033
EL16XC1-048-230A	TXV	45,500	14.50	12.50	C35-50/60C	EL180UH110E60C	8811034
EL16XC1-048-230A	TXV	45,500	14.50	12.50	C35-50/60C	EL180UH110XE60C	8811035
EL16XC1-048-230A	TXV	45,500	14.50	12.20	C35-50/60C	EL195UH090XE48C	8811036
EL16XC1-048-230A	TXV	45,500	14.50	12.20	C35-50/60C	EL195UH110XE60C	8811037
EL16XC1-048-230A	TXV	45,500	14.50	12.20	C35-50/60C	EL296UH090XE48C	8811038
EL16XC1-048-230A	TXV	46,000	14.25	12.20	C35-50/60C	EL296UH090XV48C	8811039
EL16XC1-048-230A	TXV	46,000	14.25	12.20	C35-50/60C	EL296UH090XV60C	8811040
EL16XC1-048-230A	TXV	45,500	14.50	12.20	C35-50/60C	EL296UH110XE60C	8811041
EL16XC1-048-230A	TXV	46,000	14.25	12.20	C35-50/60C	EL296UH110XV48C	8811042
EL16XC1-048-230A	TXV	46,000	14.25	12.20	C35-50/60C	EL296UH110XV60C	8811043
EL16XC1-048-230A	TXV	46,000	14.50	12.50	C35-50/60C	SL280UH090V60C	8811044
EL16XC1-048-230A	TXV	46,000	14.50	12.50	C35-50/60C	SL280UH090XV60C	8811045
EL16XC1-048-230A	TXV	46,000	14.50	12.20	C35-50/60C	SL280UH110V60C	8811046
EL16XC1-048-230A	TXV	46,000	14.50	12.20	C35-50/60C	SL280UH110XV60C	8811047
EL16XC1-048-230A	TXV	46,000	14.25	12.20	C35-50/60C	SLP98UH090XV48C	8811048
EL16XC1-048-230A	TXV	46,000	14.25	12.20	C35-50/60C	SLP98UH090XV60C	8811049

NOTES:

TXV = Matched with Thermostatic Expansion Valve.

RFC = Matched with RFC metering device.

AHRI certified to AHRI Standard 210/240 (with 25 ft. of connecting refrigerant lines); 95°F outdoor air temperature, 80°F db / 67°F wb entering evaporator air.

All ratings include the use of a blower time delay relay (TDR). All Lennox variable-speed furnaces and Air Handlers have time delay capabilities. Other Furnaces and Air Handlers may require an optional time delay relay (**58M81**) for field installation. See furnace or air handler specifications to determine if relay is needed.

Also see Expansion Valve Kit Usage Table.

AHRI SYSTEM MATCHES - ALL REGIONS - 018-024-030-041-042-047-048-060

NOTE - For the latest up-to-date system matches please visit the AHRI web site at <http://www.ahridirectory.org>

Model No.	Expansion Device	Capacity	SEER	EER	Coil or Air Handler	Furnace	AHRI Reference
EL16XC1-048-230A	TXV	46,000	14.25	12.20	C35-50/60C	SLP98UH110XV60C	8811050
EL16XC1-048-230A	TXV	47,500	15.10	12.50	C35-60C	EL180UH090E60C	8811051
EL16XC1-048-230A	TXV	47,000	15.10	12.50	C35-60C	EL180UH110E60C	8811052
EL16XC1-048-230A	TXV	47,000	15.10	12.50	C35-60C	EL180UH110XE60C	8811053
EL16XC1-048-230A	TXV	47,500	15.10	12.50	C35-60C	EL195UH090XE48C	8811054
EL16XC1-048-230A	TXV	47,500	15.10	12.50	C35-60C	EL195UH110XE60C	8811055
EL16XC1-048-230A	TXV	47,500	15.10	12.50	C35-60C	EL296UH090XE48C	8811056
EL16XC1-048-230A	TXV	47,500	15.10	12.50	C35-60C	EL296UH090XV48C	8811057
EL16XC1-048-230A	TXV	47,500	15.10	12.50	C35-60C	EL296UH090XV60C	8811058
EL16XC1-048-230A	TXV	47,500	15.10	12.50	C35-60C	EL296UH110XE60C	8811059
EL16XC1-048-230A	TXV	47,500	15.10	12.50	C35-60C	EL296UH110XV48C	8811060
EL16XC1-048-230A	TXV	47,500	15.10	12.50	C35-60C	EL296UH110XV60C	8811061
EL16XC1-048-230A	TXV	47,500	15.10	12.50	C35-60C	SL280UH090V60C	8811062
EL16XC1-048-230A	TXV	47,500	15.10	12.50	C35-60C	SL280UH090XV60C	8811063
EL16XC1-048-230A	TXV	47,500	15.10	12.50	C35-60C	SL280UH110V60C	8811064
EL16XC1-048-230A	TXV	47,500	15.10	12.50	C35-60C	SL280UH110XV60C	8811065
EL16XC1-048-230A	TXV	47,500	15.10	12.50	C35-60C	SLP98UH090XV48C	8811066
EL16XC1-048-230A	TXV	47,500	15.10	12.50	C35-60C	SLP98UH090XV60C	8811067
EL16XC1-048-230A	TXV	47,500	15.10	12.50	C35-60C	SLP98UH110XV60C	8811068
EL16XC1-048-230A	TXV	47,000	14.25	12.20	C35-60C		8811069
EL16XC1-048-230A	TXV	47,500	15.10	12.50	C35-60D	EL180UH135E60D	8811070
EL16XC1-048-230A	TXV	47,000	14.50	12.50	C35-60D	EL195UH135XE60D	8811071
EL16XC1-048-230A	TXV	47,000	14.50	12.50	C35-60D	EL296UH135XE60D	8811072
EL16XC1-048-230A	TXV	47,500	14.50	12.50	C35-60D	EL296UH135XV60D	8811073
EL16XC1-048-230A	TXV	47,500	15.10	12.50	C35-60D	SL280UH135V60D	8811074
EL16XC1-048-230A	TXV	47,500	14.50	12.50	C35-60D	SLP98UH135XV60D	8811075
EL16XC1-048-230A	TXV	47,000	14.25	12.20	C35-60D		8811076
EL16XC1-048-230A	TXV	46,500	14.50	12.50	CBX25UH-048		8811077
EL16XC1-048-230A	TXV	47,000	14.50	12.50	CBX25UHV-048		8811078
EL16XC1-048-230A	TXV	46,000	14.50	12.50	CBX27UH-048		8811079
EL16XC1-048-230A	TXV	47,000	15.10	12.50	CBX27UH-060		8811080
EL16XC1-048-230A	TXV	46,000	14.50	12.20	CBX32M-048		8811081
EL16XC1-048-230A	TXV	46,500	14.25	12.20	CBX32M-060		8811082
EL16XC1-048-230A	TXV	46,000	14.50	12.20	CBX32MV-048		8811083
EL16XC1-048-230A	TXV	47,000	14.50	12.50	CBX32MV-060		8811084
EL16XC1-048-230A	TXV	46,000	14.50	12.20	CBX40UHV-048		8811085
EL16XC1-048-230A	TXV	46,500	14.50	12.20	CBX40UHV-060		8811086
EL16XC1-048-230A	TXV	44,500	14.00	12.20	CH23-51	EL180UH090E48B	8811736
EL16XC1-048-230A	TXV	44,000	14.25	12.20	CH23-51	EL180UH110E60C	8811087
EL16XC1-048-230A	TXV	44,000	14.25	12.20	CH23-51	EL180UH110XE60C	8811088
EL16XC1-048-230A	TXV	45,000	14.25	12.20	CH23-65	EL180UH090E48B	8811089
EL16XC1-048-230A	TXV	45,000	14.50	12.20	CH23-65	EL180UH090E60C	8811090
EL16XC1-048-230A	TXV	45,000	14.25	12.20	CH23-65	EL180UH090XE48B	8811091
EL16XC1-048-230A	TXV	45,000	14.50	12.50	CH23-65	EL180UH110E60C	8811092
EL16XC1-048-230A	TXV	45,000	14.50	12.50	CH23-65	EL180UH110XE60C	8811093
EL16XC1-048-230A	TXV	47,000	15.10	12.50	CH23-68	EL180UH135E60D	8811094
EL16XC1-048-230A	TXV	47,000	14.50	12.50	CH23-68	EL195UH135XE60D	8811095
EL16XC1-048-230A	TXV	47,000	14.50	12.50	CH23-68	EL296UH135XE60D	8811096
EL16XC1-048-230A	TXV	46,500	14.00	12.00	CH23-68		8811097

NOTES:

TXV = Matched with Thermostatic Expansion Valve.

RFC = Matched with RFC metering device.

AHRI certified to AHRI Standard 210/240 (with 25 ft. of connecting refrigerant lines); 95°F outdoor air temperature, 80°F db / 67°F wb entering evaporator air.

All ratings include the use of a blower time delay relay (TDR). All Lennox variable-speed furnaces and Air Handlers have time delay capabilities. Other Furnaces and Air Handlers may require an optional time delay relay (**58M81**) for field installation. See furnace or air handler specifications to determine if relay is needed.

Also see Expansion Valve Kit Usage Table.

AHRI SYSTEM MATCHES - ALL REGIONS - 018-024-030-041-042-047-048-060

NOTE - For the latest up-to-date system matches please visit the AHRI web site at <http://www.ahridirectory.org>

Model No.	Expansion Device	Capacity	SEER	EER	Coil or Air Handler	Furnace	AHRI Reference
EL16XC1-048-230A	TXV	46,000	14.50	12.20	CH33-43B	EL180UH090E48B	8811098
EL16XC1-048-230A	TXV	46,000	14.50	12.20	CH33-43B	EL180UH090XE48B	8811099
EL16XC1-048-230A	TXV	46,000	14.50	12.50	CH33-43C	EL180UH090E60C	8811100
EL16XC1-048-230A	TXV	45,500	14.50	12.50	CH33-43C	EL180UH110E60C	8811101
EL16XC1-048-230A	TXV	45,500	14.50	12.50	CH33-43C	EL180UH110XE60C	8811102
EL16XC1-048-230A	TXV	46,000	14.50	12.20	CH33-43C	EL195UH090XE48C	8811103
EL16XC1-048-230A	TXV	46,000	14.50	12.50	CH33-43C	EL195UH110XE60C	8811104
EL16XC1-048-230A	TXV	46,000	14.50	12.20	CH33-43C	EL296UH090XE48C	8811105
EL16XC1-048-230A	TXV	46,000	14.25	12.20	CH33-43C	EL296UH090XV48C	8811106
EL16XC1-048-230A	TXV	46,000	14.25	12.20	CH33-43C	EL296UH090XV60C	8811107
EL16XC1-048-230A	TXV	46,000	14.50	12.50	CH33-43C	EL296UH110XE60C	8811108
EL16XC1-048-230A	TXV	46,000	14.50	12.20	CH33-43C	EL296UH110XV48C	8811109
EL16XC1-048-230A	TXV	46,500	14.25	12.20	CH33-43C	EL296UH110XV60C	8811110
EL16XC1-048-230A	TXV	46,000	14.50	12.50	CH33-43C	SL280UH090V60C	8811111
EL16XC1-048-230A	TXV	46,000	14.50	12.50	CH33-43C	SL280UH090XV60C	8811112
EL16XC1-048-230A	TXV	46,000	14.50	12.20	CH33-43C	SL280UH110V60C	8811113
EL16XC1-048-230A	TXV	46,000	14.50	12.20	CH33-43C	SL280UH110XV60C	8811114
EL16XC1-048-230A	TXV	46,000	14.25	12.20	CH33-43C	SLP98UH090XV48C	8811115
EL16XC1-048-230A	TXV	46,000	14.25	12.20	CH33-43C	SLP98UH090XV60C	8811116
EL16XC1-048-230A	TXV	46,500	14.25	12.20	CH33-43C	SLP98UH110XV60C	8811117
EL16XC1-048-230A	TXV	45,500	14.25	12.20	CH33-44/48B	EL180UH090E48B	8811118
EL16XC1-048-230A	TXV	45,500	14.25	12.20	CH33-44/48B	EL180UH090XE48B	8811119
EL16XC1-048-230A	TXV	45,500	14.50	12.50	CH33-48C	EL180UH090E60C	8811120
EL16XC1-048-230A	TXV	45,500	14.50	12.50	CH33-48C	EL180UH110E60C	8811121
EL16XC1-048-230A	TXV	45,500	14.50	12.50	CH33-48C	EL180UH110XE60C	8811122
EL16XC1-048-230A	TXV	45,500	14.25	12.20	CH33-48C	EL195UH090XE48C	8811123
EL16XC1-048-230A	TXV	45,500	14.50	12.20	CH33-48C	EL195UH110XE60C	8811124
EL16XC1-048-230A	TXV	45,500	14.25	12.20	CH33-48C	EL296UH090XE48C	8811125
EL16XC1-048-230A	TXV	45,500	14.25	12.20	CH33-48C	EL296UH090XV48C	8811126
EL16XC1-048-230A	TXV	45,500	14.25	12.00	CH33-48C	EL296UH090XV60C	8811127
EL16XC1-048-230A	TXV	45,500	14.50	12.20	CH33-48C	EL296UH110XE60C	8811128
EL16XC1-048-230A	TXV	45,500	14.25	12.20	CH33-48C	EL296UH110XV48C	8811129
EL16XC1-048-230A	TXV	46,000	14.25	12.20	CH33-48C	EL296UH110XV60C	8811130
EL16XC1-048-230A	TXV	46,000	14.50	12.50	CH33-48C	SL280UH090V60C	8811131
EL16XC1-048-230A	TXV	46,000	14.50	12.50	CH33-48C	SL280UH090XV60C	8811132
EL16XC1-048-230A	TXV	45,500	14.50	12.20	CH33-48C	SL280UH110V60C	8811133
EL16XC1-048-230A	TXV	45,500	14.50	12.20	CH33-48C	SL280UH110XV60C	8811134
EL16XC1-048-230A	TXV	45,500	14.25	12.20	CH33-48C	SLP98UH090XV48C	8811135
EL16XC1-048-230A	TXV	45,500	14.25	12.00	CH33-48C	SLP98UH090XV60C	8811136
EL16XC1-048-230A	TXV	46,000	14.25	12.20	CH33-48C	SLP98UH110XV60C	8811137
EL16XC1-048-230A	TXV	46,500	15.10	12.50	CH33-49	EL180UH090E60C	8811139
EL16XC1-048-230A	TXV	46,000	14.50	12.50	CH33-49	EL180UH110E60C	8811140
EL16XC1-048-230A	TXV	46,000	14.50	12.50	CH33-49	EL180UH110XE60C	8811141
EL16XC1-048-230A	TXV	46,500	14.50	12.50	CH33-49	EL195UH090XE48C	8811142
EL16XC1-048-230A	TXV	46,500	14.50	12.50	CH33-49	EL195UH110XE60C	8811143
EL16XC1-048-230A	TXV	46,500	14.50	12.50	CH33-49	EL296UH090XE48C	8811144
EL16XC1-048-230A	TXV	46,500	14.50	12.20	CH33-49	EL296UH090XV48C	8811145
EL16XC1-048-230A	TXV	46,500	14.50	12.20	CH33-49	EL296UH090XV60C	8811146
EL16XC1-048-230A	TXV	46,500	14.50	12.50	CH33-49	EL296UH110XE60C	8811147

NOTES:

TXV = Matched with Thermostatic Expansion Valve.

RFC = Matched with RFC metering device.

AHRI certified to AHRI Standard 210/240 (with 25 ft. of connecting refrigerant lines); 95°F outdoor air temperature, 80°F db / 67°F wb entering evaporator air.

All ratings include the use of a blower time delay relay (TDR). All Lennox variable-speed furnaces and Air Handlers have time delay capabilities. Other Furnaces and Air Handlers may require an optional time delay relay (**58M81**) for field installation. See furnace or air handler specifications to determine if relay is needed.

Also see Expansion Valve Kit Usage Table.

AHRI SYSTEM MATCHES - ALL REGIONS - 018-024-030-041-042-047-048-060

NOTE - For the latest up-to-date system matches please visit the AHRI web site at <http://www.ahridirectory.org>

Model No.	Expansion Device	Capacity	SEER	EER	Coil or Air Handler	Furnace	AHRI Reference
EL16XC1-048-230A	TXV	46,500	14.50	12.50	CH33-49	EL296UH110XV48C	8811148
EL16XC1-048-230A	TXV	47,000	14.50	12.50	CH33-49	EL296UH110XV60C	8811149
EL16XC1-048-230A	TXV	47,000	14.50	12.50	CH33-49	SL280UH090V60C	8811150
EL16XC1-048-230A	TXV	47,000	14.50	12.50	CH33-49	SL280UH090XV60C	8811151
EL16XC1-048-230A	TXV	46,500	14.50	12.50	CH33-49	SL280UH110V60C	8811152
EL16XC1-048-230A	TXV	46,500	14.50	12.50	CH33-49	SL280UH110XV60C	8811153
EL16XC1-048-230A	TXV	46,500	14.50	12.20	CH33-49	SLP98UH090XV48C	8811154
EL16XC1-048-230A	TXV	46,500	14.50	12.20	CH33-49	SLP98UH090XV60C	8811155
EL16XC1-048-230A	TXV	47,000	14.50	12.50	CH33-49	SLP98UH110XV60C	8811156
EL16XC1-048-230A	TXV	46,500	14.00	12.00	CH33-49		8811138
EL16XC1-048-230A	TXV	46,000	14.50	12.50	CH33-50/60C	EL180UH090E60C	8811157
EL16XC1-048-230A	TXV	46,000	14.50	12.50	CH33-50/60C	EL180UH110E60C	8811158
EL16XC1-048-230A	TXV	46,000	14.50	12.50	CH33-50/60C	EL180UH110XE60C	8811159
EL16XC1-048-230A	TXV	46,000	14.50	12.50	CH33-50/60C	EL195UH090XE48C	8811160
EL16XC1-048-230A	TXV	46,000	14.50	12.50	CH33-50/60C	EL195UH110XE60C	8811161
EL16XC1-048-230A	TXV	46,000	14.50	12.50	CH33-50/60C	EL296UH090XE48C	8811162
EL16XC1-048-230A	TXV	46,500	14.50	12.20	CH33-50/60C	EL296UH090XV48C	8811163
EL16XC1-048-230A	TXV	46,500	14.50	12.20	CH33-50/60C	EL296UH090XV60C	8811164
EL16XC1-048-230A	TXV	46,000	14.50	12.50	CH33-50/60C	EL296UH110XE60C	8811165
EL16XC1-048-230A	TXV	46,500	14.50	12.50	CH33-50/60C	EL296UH110XV48C	8811166
EL16XC1-048-230A	TXV	46,500	14.50	12.20	CH33-50/60C	EL296UH110XV60C	8811167
EL16XC1-048-230A	TXV	46,500	14.50	12.50	CH33-50/60C	SL280UH090V60C	8811168
EL16XC1-048-230A	TXV	46,500	14.50	12.50	CH33-50/60C	SL280UH090XV60C	8811169
EL16XC1-048-230A	TXV	46,500	14.50	12.50	CH33-50/60C	SL280UH110V60C	8811170
EL16XC1-048-230A	TXV	46,500	14.50	12.50	CH33-50/60C	SL280UH110XV60C	8811171
EL16XC1-048-230A	TXV	46,500	14.50	12.20	CH33-50/60C	SLP98UH090XV48C	8811172
EL16XC1-048-230A	TXV	46,500	14.50	12.20	CH33-50/60C	SLP98UH090XV60C	8811173
EL16XC1-048-230A	TXV	46,500	14.50	12.20	CH33-50/60C	SLP98UH110XV60C	8811174
EL16XC1-048-230A	TXV	46,000	14.00	12.00	CH33-50/60C		8811175
EL16XC1-048-230A	TXV	46,500	15.00	12.50	CH33-60D	EL180UH135E60D	8811176
EL16XC1-048-230A	TXV	46,000	14.50	12.20	CH33-60D	EL195UH135XE60D	8811177
EL16XC1-048-230A	TXV	46,000	14.50	12.20	CH33-60D	EL296UH135XE60D	8811178
EL16XC1-048-230A	TXV	46,500	14.50	12.50	CH33-60D	EL296UH135XV60D	8811179
EL16XC1-048-230A	TXV	46,500	14.50	12.50	CH33-60D	SL280UH135V60D	8811180
EL16XC1-048-230A	TXV	46,500	14.50	12.50	CH33-60D	SLP98UH135XV60D	8811181
EL16XC1-048-230A	TXV	47,000	15.10	12.50	CH33-62D	EL180UH135E60D	8811182
EL16XC1-048-230A	TXV	47,000	14.50	12.50	CH33-62D	EL195UH135XE60D	8811183
EL16XC1-048-230A	TXV	47,000	14.50	12.50	CH33-62D	EL296UH135XE60D	8811184
EL16XC1-048-230A	TXV	47,000	14.50	12.50	CH33-62D	EL296UH135XV60D	8811185
EL16XC1-048-230A	TXV	47,000	15.00	12.50	CH33-62D	SL280UH135V60D	8811186
EL16XC1-048-230A	TXV	47,000	14.50	12.50	CH33-62D	SLP98UH135XV60D	8811187
EL16XC1-048-230A	TXV	46,500	14.00	12.00	CH33-62D		8811188
EL16XC1-048-230A	TXV	47,500	14.50	12.50	CH35-42B	EL180UH090E48B	8811189
EL16XC1-048-230A	TXV	47,500	14.50	12.50	CH35-42B	EL180UH090XE48B	8811190
EL16XC1-048-230A	TXV	46,000	14.50	12.50	CH35-42C	EL180UH090E60C	8811191
EL16XC1-048-230A	TXV	45,500	14.50	12.50	CH35-42C	EL180UH110E60C	8811192
EL16XC1-048-230A	TXV	45,500	14.50	12.50	CH35-42C	EL180UH110XE60C	8811193
EL16XC1-048-230A	TXV	46,000	14.50	12.20	CH35-42C	EL195UH090XE48C	8811194
EL16XC1-048-230A	TXV	46,000	14.50	12.50	CH35-42C	EL195UH110XE60C	8811195

NOTES:

TXV = Matched with Thermostatic Expansion Valve.

RFC = Matched with RFC metering device.

AHRI certified to AHRI Standard 210/240 (with 25 ft. of connecting refrigerant lines); 95°F outdoor air temperature, 80°F db / 67°F wb entering evaporator air.

All ratings include the use of a blower time delay relay (TDR). All Lennox variable-speed furnaces and Air Handlers have time delay capabilities. Other Furnaces and Air Handlers may require an optional time delay relay (**58M81**) for field installation. See furnace or air handler specifications to determine if relay is needed.

Also see Expansion Valve Kit Usage Table.

AHRI SYSTEM MATCHES - ALL REGIONS - 018-024-030-041-042-047-048-060

NOTE - For the latest up-to-date system matches please visit the AHRI web site at <http://www.ahridirectory.org>

Model No.	Expansion Device	Capacity	SEER	EER	Coil or Air Handler	Furnace	AHRI Reference
EL16XC1-048-230A	TXV	46,000	14.50	12.20	CH35-42C	EL296UH090XE48C	8811196
EL16XC1-048-230A	TXV	46,500	14.25	12.20	CH35-42C	EL296UH090XV48C	8811197
EL16XC1-048-230A	TXV	46,500	14.25	12.20	CH35-42C	EL296UH090XV60C	8811198
EL16XC1-048-230A	TXV	46,000	14.50	12.50	CH35-42C	EL296UH110XE60C	8811199
EL16XC1-048-230A	TXV	46,000	14.50	12.20	CH35-42C	EL296UH110XV48C	8811200
EL16XC1-048-230A	TXV	46,500	14.50	12.20	CH35-42C	EL296UH110XV60C	8811201
EL16XC1-048-230A	TXV	46,500	14.50	12.50	CH35-42C	SL280UH090V60C	8811202
EL16XC1-048-230A	TXV	46,500	14.50	12.50	CH35-42C	SL280UH090XV60C	8811203
EL16XC1-048-230A	TXV	46,000	14.50	12.20	CH35-42C	SL280UH110V60C	8811204
EL16XC1-048-230A	TXV	46,000	14.50	12.20	CH35-42C	SL280UH110XV60C	8811205
EL16XC1-048-230A	TXV	46,500	14.25	12.20	CH35-42C	SLP98UH090XV48C	8811206
EL16XC1-048-230A	TXV	46,500	14.25	12.20	CH35-42C	SLP98UH090XV60C	8811207
EL16XC1-048-230A	TXV	46,500	14.50	12.20	CH35-42C	SLP98UH110XV60C	8811208
EL16XC1-048-230A	TXV	46,000	14.25	12.20	CH35-48B	EL180UH090E48B	8811209
EL16XC1-048-230A	TXV	46,000	14.25	12.20	CH35-48B	EL180UH090XE48B	8811210
EL16XC1-048-230A	TXV	46,000	14.50	12.50	CH35-48C	EL180UH090E60C	8811211
EL16XC1-048-230A	TXV	45,500	14.50	12.50	CH35-48C	EL180UH110E60C	8811212
EL16XC1-048-230A	TXV	45,500	14.50	12.50	CH35-48C	EL180UH110XE60C	8811213
EL16XC1-048-230A	TXV	46,000	14.50	12.20	CH35-48C	EL195UH090XE48C	8811214
EL16XC1-048-230A	TXV	46,000	14.50	12.50	CH35-48C	EL195UH110XE60C	8811215
EL16XC1-048-230A	TXV	46,000	14.50	12.20	CH35-48C	EL296UH090XE48C	8811216
EL16XC1-048-230A	TXV	46,000	14.25	12.20	CH35-48C	EL296UH090XV48C	8811217
EL16XC1-048-230A	TXV	46,000	14.25	12.20	CH35-48C	EL296UH090XV60C	8811218
EL16XC1-048-230A	TXV	46,000	14.50	12.50	CH35-48C	EL296UH110XE60C	8811219
EL16XC1-048-230A	TXV	46,000	14.50	12.20	CH35-48C	EL296UH110XV48C	8811220
EL16XC1-048-230A	TXV	46,000	14.25	12.20	CH35-48C	EL296UH110XV60C	8811221
EL16XC1-048-230A	TXV	46,000	14.50	12.50	CH35-48C	SL280UH090V60C	8811222
EL16XC1-048-230A	TXV	46,000	14.50	12.50	CH35-48C	SL280UH090XV60C	8811223
EL16XC1-048-230A	TXV	46,000	14.50	12.20	CH35-48C	SL280UH110V60C	8811224
EL16XC1-048-230A	TXV	46,000	14.50	12.20	CH35-48C	SL280UH110XV60C	8811225
EL16XC1-048-230A	TXV	46,000	14.25	12.20	CH35-48C	SLP98UH090XV48C	8811226
EL16XC1-048-230A	TXV	46,000	14.25	12.20	CH35-48C	SLP98UH090XV60C	8811227
EL16XC1-048-230A	TXV	46,000	14.25	12.20	CH35-48C	SLP98UH110XV60C	8811228
EL16XC1-048-230A	TXV	46,500	15.10	12.50	CH35-51C	EL180UH090E60C	8811229
EL16XC1-048-230A	TXV	46,500	15.10	12.50	CH35-51C	EL180UH110E60C	8811230
EL16XC1-048-230A	TXV	46,500	15.10	12.50	CH35-51C	EL180UH110XE60C	8811231
EL16XC1-048-230A	TXV	46,500	14.50	12.50	CH35-51C	EL195UH090XE48C	8811232
EL16XC1-048-230A	TXV	46,500	14.50	12.50	CH35-51C	EL195UH110XE60C	8811233
EL16XC1-048-230A	TXV	46,500	14.50	12.50	CH35-51C	EL296UH090XE48C	8811234
EL16XC1-048-230A	TXV	47,000	14.50	12.50	CH35-51C	EL296UH090XV48C	8811235
EL16XC1-048-230A	TXV	47,000	14.50	12.50	CH35-51C	EL296UH090XV60C	8811236
EL16XC1-048-230A	TXV	46,500	14.50	12.50	CH35-51C	EL296UH110XE60C	8811237
EL16XC1-048-230A	TXV	47,000	14.50	12.50	CH35-51C	EL296UH110XV48C	8811238
EL16XC1-048-230A	TXV	47,000	14.50	12.50	CH35-51C	EL296UH110XV60C	8811239
EL16XC1-048-230A	TXV	47,000	14.50	12.50	CH35-51C	SL280UH090V60C	8811240
EL16XC1-048-230A	TXV	47,000	14.50	12.50	CH35-51C	SL280UH090XV60C	8811241
EL16XC1-048-230A	TXV	47,000	14.50	12.50	CH35-51C	SL280UH110V60C	8811242
EL16XC1-048-230A	TXV	47,000	14.50	12.50	CH35-51C	SL280UH110XV60C	8811243
EL16XC1-048-230A	TXV	47,000	14.50	12.50	CH35-51C	SLP98UH090XV48C	8811244

NOTES:

TXV = Matched with Thermostatic Expansion Valve.

RFC = Matched with RFC metering device.

AHRI certified to AHRI Standard 210/240 (with 25 ft. of connecting refrigerant lines); 95°F outdoor air temperature, 80°F db / 67°F wb entering evaporator air.

All ratings include the use of a blower time delay relay (TDR). All Lennox variable-speed furnaces and Air Handlers have time delay capabilities. Other Furnaces and Air Handlers may require an optional time delay relay (**58M81**) for field installation. See furnace or air handler specifications to determine if relay is needed.

Also see Expansion Valve Kit Usage Table.

AHRI SYSTEM MATCHES - ALL REGIONS - 018-024-030-041-042-047-048-060

NOTE - For the latest up-to-date system matches please visit the AHRI web site at <http://www.ahridirectory.org>

Model No.	Expansion Device	Capacity	SEER	EER	Coil or Air Handler	Furnace	AHRI Reference
EL16XC1-048-230A	TXV	47,000	14.50	12.50	CH35-51C	SLP98UH090XV60C	8811245
EL16XC1-048-230A	TXV	47,000	14.50	12.50	CH35-51C	SLP98UH110XV60C	8811246
EL16XC1-048-230A	TXV	46,500	14.25	12.00	CH35-51C		8811247
EL16XC1-048-230A	TXV	47,000	15.10	12.50	CH35-60D	EL180UH135E60D	8811248
EL16XC1-048-230A	TXV	47,000	14.50	12.50	CH35-60D	EL195UH135XE60D	8811249
EL16XC1-048-230A	TXV	47,000	14.50	12.50	CH35-60D	EL296UH135XE60D	8811250
EL16XC1-048-230A	TXV	47,000	14.50	12.50	CH35-60D	EL296UH135XV60D	8811251
EL16XC1-048-230A	TXV	47,000	15.00	12.50	CH35-60D	SL280UH135V60D	8811252
EL16XC1-048-230A	TXV	47,000	14.50	12.50	CH35-60D	SLP98UH135XV60D	8811253
EL16XC1-048-230A	TXV	46,500	14.00	12.00	CH35-60D		8811254
EL16XC1-048-230A	TXV	45,000	14.50	12.50	CR33-48	EL180DF110E60C	8811255
EL16XC1-048-230A	TXV	44,500	14.25	12.20	CR33-48	EL195DF110XE60C	8811256
EL16XC1-048-230A	TXV	44,500	14.25	12.20	CR33-48	EL296DF110XE60C	8811257
EL16XC1-048-230A	TXV	45,000	14.25	12.20	CR33-48	SL280DF090V60C	8811258
EL16XC1-048-230A	TXV	45,000	14.25	12.20	CR33-48	SL280DF110V60C	8811259
EL16XC1-048-230A	TXV	45,500	14.50	12.50	CR33-50/60	EL180DF110E60C	8811260
EL16XC1-048-230A	TXV	45,500	14.50	12.50	CR33-50/60	EL195DF110XE60C	8811261
EL16XC1-048-230A	TXV	45,000	14.00	12.00	CR33-50/60	EL296DF090XV60C	8811262
EL16XC1-048-230A	TXV	45,500	14.50	12.50	CR33-50/60	EL296DF110XE60C	8811263
EL16XC1-048-230A	TXV	45,000	14.25	12.00	CR33-50/60	EL296DF110XV60C	8811264
EL16XC1-048-230A	TXV	45,500	14.50	12.50	CR33-50/60	SL280DF090V60C	8811265
EL16XC1-048-230A	TXV	45,500	14.50	12.50	CR33-50/60	SL280DF110V60C	8811266
EL16XC1-048-230A	TXV	45,000	14.00	12.00	CR33-50/60	SLP98DF090XV48C	8811267
EL16XC1-048-230A	TXV	45,000	14.00	12.00	CR33-50/60	SLP98DF090XV60C	8811268
EL16XC1-048-230A	TXV	45,000	14.25	12.00	CR33-50/60	SLP98DF110XV60C	8811269
EL16XC1-048-230A	TXV	46,000	14.50	12.20	CX34-43B	EL180UH090E48B	8811270
EL16XC1-048-230A	TXV	46,000	14.50	12.20	CX34-43B	EL180UH090XE48B	8811271
EL16XC1-048-230A	TXV	46,000	14.50	12.50	CX34-43C	EL180UH090E60C	8811272
EL16XC1-048-230A	TXV	46,000	14.50	12.50	CX34-43C	EL180UH110E60C	8811273
EL16XC1-048-230A	TXV	46,000	14.50	12.50	CX34-43C	EL180UH110XE60C	8811274
EL16XC1-048-230A	TXV	46,000	14.50	12.50	CX34-43C	EL195UH090XE48C	8811275
EL16XC1-048-230A	TXV	46,000	14.50	12.50	CX34-43C	EL195UH110XE60C	8811276
EL16XC1-048-230A	TXV	46,000	14.50	12.50	CX34-43C	EL296UH090XE48C	8811277
EL16XC1-048-230A	TXV	46,000	14.50	12.20	CX34-43C	EL296UH090XV48C	8811278
EL16XC1-048-230A	TXV	46,000	14.50	12.20	CX34-43C	EL296UH090XV60C	8811279
EL16XC1-048-230A	TXV	46,000	14.50	12.50	CX34-43C	EL296UH110XE60C	8811280
EL16XC1-048-230A	TXV	46,000	14.50	12.50	CX34-43C	EL296UH110XV48C	8811281
EL16XC1-048-230A	TXV	46,000	14.50	12.20	CX34-43C	EL296UH110XV60C	8811282
EL16XC1-048-230A	TXV	46,000	14.50	12.50	CX34-43C	SL280UH090V60C	8811283
EL16XC1-048-230A	TXV	46,000	14.50	12.50	CX34-43C	SL280UH090XV60C	8811284
EL16XC1-048-230A	TXV	46,000	14.50	12.50	CX34-43C	SL280UH110V60C	8811285
EL16XC1-048-230A	TXV	46,000	14.50	12.50	CX34-43C	SL280UH110XV60C	8811286
EL16XC1-048-230A	TXV	46,000	14.50	12.20	CX34-43C	SLP98UH090XV48C	8811287
EL16XC1-048-230A	TXV	46,000	14.50	12.20	CX34-43C	SLP98UH090XV60C	8811288
EL16XC1-048-230A	TXV	46,000	14.50	12.20	CX34-43C	SLP98UH110XV60C	8811289
EL16XC1-048-230A	TXV	45,000	14.00	12.00	CX34-44/48B	EL180UH090E48B	8811290
EL16XC1-048-230A	TXV	45,000	14.00	12.00	CX34-44/48B	EL180UH090XE48B	8811291
EL16XC1-048-230A	TXV	45,000	14.50	12.20	CX34-44/48C	EL180UH090E60C	8811292
EL16XC1-048-230A	TXV	45,000	14.50	12.20	CX34-44/48C	EL180UH110E60C	8811293

NOTES:

TXV = Matched with Thermostatic Expansion Valve.

RFC = Matched with RFC metering device.

AHRI certified to AHRI Standard 210/240 (with 25 ft. of connecting refrigerant lines); 95°F outdoor air temperature, 80°F db / 67°F wb entering evaporator air. All ratings include the use of a blower time delay relay (TDR). All Lennox variable-speed furnaces and Air Handlers have time delay capabilities. Other Furnaces and Air Handlers may require an optional time delay relay (**58M81**) for field installation. See furnace or air handler specifications to determine if relay is needed.

Also see Expansion Valve Kit Usage Table.

AHRI SYSTEM MATCHES - ALL REGIONS - 018-024-030-041-042-047-048-060

NOTE - For the latest up-to-date system matches please visit the AHRI web site at <http://www.ahridirectory.org>

Model No.	Expansion Device	Capacity	SEER	EER	Coil or Air Handler	Furnace	AHRI Reference
EL16XC1-048-230A	TXV	45,000	14.50	12.20	CX34-44/48C	EL180UH110XE60C	8811294
EL16XC1-048-230A	TXV	45,000	14.25	12.20	CX34-44/48C	EL195UH090XE48C	8811295
EL16XC1-048-230A	TXV	45,000	14.25	12.20	CX34-44/48C	EL195UH110XE60C	8811296
EL16XC1-048-230A	TXV	45,000	14.25	12.20	CX34-44/48C	EL296UH090XE48C	8811297
EL16XC1-048-230A	TXV	45,000	14.00	12.00	CX34-44/48C	EL296UH090XV48C	8811298
EL16XC1-048-230A	TXV	45,000	14.25	12.20	CX34-44/48C	EL296UH110XE60C	8811299
EL16XC1-048-230A	TXV	45,000	14.00	12.00	CX34-44/48C	EL296UH110XV48C	8811300
EL16XC1-048-230A	TXV	45,000	14.25	12.20	CX34-44/48C	SL280UH090V60C	8811301
EL16XC1-048-230A	TXV	45,000	14.25	12.20	CX34-44/48C	SL280UH090XV60C	8811302
EL16XC1-048-230A	TXV	45,000	14.25	12.20	CX34-44/48C	SL280UH110V60C	8811303
EL16XC1-048-230A	TXV	45,000	14.25	12.20	CX34-44/48C	SL280UH110XV60C	8811304
EL16XC1-048-230A	TXV	45,000	14.00	12.00	CX34-44/48C	SLP98UH090XV48C	8811305
EL16XC1-048-230A	TXV	47,000	15.10	12.50	CX34-49	EL180UH090E60C	8811307
EL16XC1-048-230A	TXV	46,500	15.10	12.50	CX34-49	EL180UH110E60C	8811308
EL16XC1-048-230A	TXV	46,500	15.10	12.50	CX34-49	EL180UH110XE60C	8811309
EL16XC1-048-230A	TXV	47,000	14.50	12.50	CX34-49	EL195UH090XE48C	8811310
EL16XC1-048-230A	TXV	47,000	15.10	12.50	CX34-49	EL195UH110XE60C	8811311
EL16XC1-048-230A	TXV	47,000	14.50	12.50	CX34-49	EL296UH090XE48C	8811312
EL16XC1-048-230A	TXV	47,000	14.50	12.50	CX34-49	EL296UH090XV48C	8811313
EL16XC1-048-230A	TXV	47,000	14.50	12.50	CX34-49	EL296UH090XV60C	8811314
EL16XC1-048-230A	TXV	47,000	15.10	12.50	CX34-49	EL296UH110XE60C	8811315
EL16XC1-048-230A	TXV	47,000	14.50	12.50	CX34-49	EL296UH110XV48C	8811316
EL16XC1-048-230A	TXV	47,000	14.50	12.50	CX34-49	EL296UH110XV60C	8811317
EL16XC1-048-230A	TXV	47,000	15.10	12.50	CX34-49	SL280UH090V60C	8811318
EL16XC1-048-230A	TXV	47,000	15.10	12.50	CX34-49	SL280UH090XV60C	8811319
EL16XC1-048-230A	TXV	47,000	15.10	12.50	CX34-49	SL280UH110V60C	8811320
EL16XC1-048-230A	TXV	47,000	15.10	12.50	CX34-49	SL280UH110XV60C	8811321
EL16XC1-048-230A	TXV	47,000	14.50	12.50	CX34-49	SLP98UH090XV48C	8811322
EL16XC1-048-230A	TXV	47,000	14.50	12.50	CX34-49	SLP98UH090XV60C	8811323
EL16XC1-048-230A	TXV	47,000	14.50	12.50	CX34-49	SLP98UH110XV60C	8811324
EL16XC1-048-230A	TXV	46,500	14.25	12.00	CX34-49		8811306
EL16XC1-048-230A	TXV	45,500	14.50	12.50	CX34-50/60C	EL180UH090E60C	8811325
EL16XC1-048-230A	TXV	45,500	14.50	12.50	CX34-50/60C	EL180UH110E60C	8811326
EL16XC1-048-230A	TXV	45,500	14.50	12.50	CX34-50/60C	EL180UH110XE60C	8811327
EL16XC1-048-230A	TXV	45,500	14.25	12.20	CX34-50/60C	EL195UH090XE48C	8811328
EL16XC1-048-230A	TXV	45,500	14.50	12.20	CX34-50/60C	EL195UH110XE60C	8811329
EL16XC1-048-230A	TXV	45,500	14.25	12.20	CX34-50/60C	EL296UH090XE48C	8811330
EL16XC1-048-230A	TXV	45,500	14.25	12.20	CX34-50/60C	EL296UH090XV48C	8811331
EL16XC1-048-230A	TXV	45,500	14.25	12.00	CX34-50/60C	EL296UH090XV60C	8811332
EL16XC1-048-230A	TXV	45,500	14.50	12.20	CX34-50/60C	EL296UH110XE60C	8811333
EL16XC1-048-230A	TXV	45,500	14.25	12.20	CX34-50/60C	EL296UH110XV48C	8811334
EL16XC1-048-230A	TXV	46,000	14.25	12.20	CX34-50/60C	EL296UH110XV60C	8811335
EL16XC1-048-230A	TXV	46,000	14.50	12.20	CX34-50/60C	SL280UH090V60C	8811336
EL16XC1-048-230A	TXV	46,000	14.50	12.20	CX34-50/60C	SL280UH090XV60C	8811337
EL16XC1-048-230A	TXV	45,500	14.50	12.20	CX34-50/60C	SL280UH110V60C	8811338
EL16XC1-048-230A	TXV	45,500	14.50	12.20	CX34-50/60C	SL280UH110XV60C	8811339
EL16XC1-048-230A	TXV	45,500	14.25	12.20	CX34-50/60C	SLP98UH090XV48C	8811340
EL16XC1-048-230A	TXV	45,500	14.25	12.00	CX34-50/60C	SLP98UH090XV60C	8811341
EL16XC1-048-230A	TXV	46,000	14.25	12.20	CX34-50/60C	SLP98UH110XV60C	8811342

NOTES:

TXV = Matched with Thermostatic Expansion Valve.

RFC = Matched with RFC metering device.

AHRI certified to AHRI Standard 210/240 (with 25 ft. of connecting refrigerant lines); 95°F outdoor air temperature, 80°F db / 67°F wb entering evaporator air.

All ratings include the use of a blower time delay relay (TDR). All Lennox variable-speed furnaces and Air Handlers have time delay capabilities. Other Furnaces and Air Handlers may require an optional time delay relay (**58M81**) for field installation. See furnace or air handler specifications to determine if relay is needed.

Also see Expansion Valve Kit Usage Table.

AHRI SYSTEM MATCHES - ALL REGIONS - 018-024-030-041-042-047-048-060

NOTE - For the latest up-to-date system matches please visit the AHRI web site at <http://www.ahridirectory.org>

Model No.	Expansion Device	Capacity	SEER	EER	Coil or Air Handler	Furnace	AHRI Reference
EL16XC1-048-230A	TXV	47,000	15.10	12.50	CX34-60D	EL180UH135E60D	8811343
EL16XC1-048-230A	TXV	46,500	14.50	12.50	CX34-60D	EL195UH135XE60D	8811344
EL16XC1-048-230A	TXV	46,500	14.50	12.50	CX34-60D	EL296UH135XE60D	8811345
EL16XC1-048-230A	TXV	47,000	14.50	12.50	CX34-60D	EL296UH135XV60D	8811346
EL16XC1-048-230A	TXV	47,000	15.00	12.50	CX34-60D	SL280UH135V60D	8811347
EL16XC1-048-230A	TXV	47,000	14.50	12.50	CX34-60D	SLP98UH135XV60D	8811348
EL16XC1-048-230A	TXV	46,500	14.00	12.00	CX34-60D		8811349
EL16XC1-048-230A	TXV	47,500	15.10	12.50	CX34-62C	EL180UH090E60C	8811351
EL16XC1-048-230A	TXV	47,000	15.10	12.50	CX34-62C	EL180UH110E60C	8811352
EL16XC1-048-230A	TXV	47,000	15.10	12.50	CX34-62C	EL180UH110XE60C	8811353
EL16XC1-048-230A	TXV	47,500	15.10	12.50	CX34-62C	EL195UH090XE48C	8811354
EL16XC1-048-230A	TXV	47,500	15.10	12.50	CX34-62C	EL195UH110XE60C	8811355
EL16XC1-048-230A	TXV	47,500	15.10	12.50	CX34-62C	EL296UH090XE48C	8811356
EL16XC1-048-230A	TXV	47,500	14.50	12.50	CX34-62C	EL296UH090XV48C	8811357
EL16XC1-048-230A	TXV	47,500	15.10	12.50	CX34-62C	EL296UH090XV60C	8811358
EL16XC1-048-230A	TXV	47,500	15.10	12.50	CX34-62C	EL296UH110XE60C	8811359
EL16XC1-048-230A	TXV	47,500	15.10	12.50	CX34-62C	EL296UH110XV48C	8811360
EL16XC1-048-230A	TXV	47,500	14.50	12.50	CX34-62C	EL296UH110XV60C	8811361
EL16XC1-048-230A	TXV	47,500	15.10	12.50	CX34-62C	SL280UH090V60C	8811362
EL16XC1-048-230A	TXV	47,500	15.10	12.50	CX34-62C	SL280UH090XV60C	8811363
EL16XC1-048-230A	TXV	47,500	15.10	12.50	CX34-62C	SL280UH110V60C	8811364
EL16XC1-048-230A	TXV	47,500	15.10	12.50	CX34-62C	SL280UH110XV60C	8811365
EL16XC1-048-230A	TXV	47,500	14.50	12.50	CX34-62C	SLP98UH090XV48C	8811366
EL16XC1-048-230A	TXV	47,500	15.10	12.50	CX34-62C	SLP98UH090XV60C	8811367
EL16XC1-048-230A	TXV	47,500	14.50	12.50	CX34-62C	SLP98UH110XV60C	8811368
EL16XC1-048-230A	TXV	47,000	14.25	12.20	CX34-62C		8811350
EL16XC1-048-230A	TXV	47,500	15.10	12.50	CX34-62D	EL180UH135E60D	8811369
EL16XC1-048-230A	TXV	47,000	14.50	12.50	CX34-62D	EL195UH135XE60D	8811370
EL16XC1-048-230A	TXV	47,000	14.50	12.50	CX34-62D	EL296UH135XE60D	8811371
EL16XC1-048-230A	TXV	47,500	14.50	12.50	CX34-62D	EL296UH135XV60D	8811372
EL16XC1-048-230A	TXV	47,000	15.10	12.50	CX34-62D	SL280UH135V60D	8811373
EL16XC1-048-230A	TXV	47,500	14.50	12.50	CX34-62D	SLP98UH135XV60D	8811374
EL16XC1-048-230A	TXV	47,000	14.25	12.20	CX34-62D		8811375
EL16XC1-048-230A	TXV	46,000	14.50	12.20	CX35-48B	EL180UH090E48B	8811376
EL16XC1-048-230A	TXV	46,000	14.50	12.20	CX35-48B	EL180UH090XE48B	8811377
EL16XC1-048-230A	TXV	46,000	14.50	12.50	CX35-48C	EL180UH090E60C	8811378
EL16XC1-048-230A	TXV	46,000	14.50	12.50	CX35-48C	EL180UH110E60C	8811379
EL16XC1-048-230A	TXV	46,000	14.50	12.50	CX35-48C	EL180UH110XE60C	8811380
EL16XC1-048-230A	TXV	46,000	14.50	12.50	CX35-48C	EL195UH090XE48C	8811381
EL16XC1-048-230A	TXV	46,000	14.50	12.50	CX35-48C	EL195UH110XE60C	8811382
EL16XC1-048-230A	TXV	46,000	14.50	12.50	CX35-48C	EL296UH090XE48C	8811383
EL16XC1-048-230A	TXV	46,500	14.50	12.20	CX35-48C	EL296UH090XV48C	8811384
EL16XC1-048-230A	TXV	46,500	14.50	12.50	CX35-48C	EL296UH090XV60C	8811385
EL16XC1-048-230A	TXV	46,000	14.50	12.50	CX35-48C	EL296UH110XE60C	8811386
EL16XC1-048-230A	TXV	46,000	14.50	12.50	CX35-48C	EL296UH110XV48C	8811387
EL16XC1-048-230A	TXV	46,500	14.50	12.50	CX35-48C	EL296UH110XV60C	8811388
EL16XC1-048-230A	TXV	46,500	14.50	12.50	CX35-48C	SL280UH090V60C	8811389
EL16XC1-048-230A	TXV	46,500	14.50	12.50	CX35-48C	SL280UH090XV60C	8811390
EL16XC1-048-230A	TXV	46,500	14.50	12.50	CX35-48C	SL280UH110V60C	8811391

NOTES:

TXV = Matched with Thermostatic Expansion Valve.

RFC = Matched with RFC metering device.

AHRI certified to AHRI Standard 210/240 (with 25 ft. of connecting refrigerant lines); 95°F outdoor air temperature, 80°F db / 67°F wb entering evaporator air.

All ratings include the use of a blower time delay relay (TDR). All Lennox variable-speed furnaces and Air Handlers have time delay capabilities. Other Furnaces and Air Handlers may require an optional time delay relay (**58M81**) for field installation. See furnace or air handler specifications to determine if relay is needed.

Also see Expansion Valve Kit Usage Table.

AHRI SYSTEM MATCHES - ALL REGIONS - 018-024-030-041-042-047-048-060

NOTE - For the latest up-to-date system matches please visit the AHRI web site at <http://www.ahridirectory.org>

Model No.	Expansion Device	Capacity	SEER	EER	Coil or Air Handler	Furnace	AHRI Reference
EL16XC1-048-230A	TXV	46,500	14.50	12.50	CX35-48C	SL280UH110XV60C	8811392
EL16XC1-048-230A	TXV	46,500	14.50	12.20	CX35-48C	SLP98UH090XV48C	8811393
EL16XC1-048-230A	TXV	46,500	14.50	12.50	CX35-48C	SLP98UH090XV60C	8811394
EL16XC1-048-230A	TXV	46,500	14.50	12.50	CX35-48C	SLP98UH110XV60C	8811395
EL16XC1-048-230A	TXV	47,000	15.10	12.50	CX35-49C	EL180UH090E60C	8811396
EL16XC1-048-230A	TXV	47,000	15.10	12.50	CX35-49C	EL180UH110E60C	8811397
EL16XC1-048-230A	TXV	47,000	15.10	12.50	CX35-49C	EL180UH110XE60C	8811398
EL16XC1-048-230A	TXV	47,000	14.50	12.50	CX35-49C	EL195UH090XE48C	8811399
EL16XC1-048-230A	TXV	47,000	15.10	12.50	CX35-49C	EL195UH110XE60C	8811400
EL16XC1-048-230A	TXV	47,000	14.50	12.50	CX35-49C	EL296UH090XE48C	8811401
EL16XC1-048-230A	TXV	47,000	14.50	12.50	CX35-49C	EL296UH090XV48C	8811402
EL16XC1-048-230A	TXV	47,000	14.50	12.50	CX35-49C	EL296UH090XV60C	8811403
EL16XC1-048-230A	TXV	47,000	15.10	12.50	CX35-49C	EL296UH110XE60C	8811404
EL16XC1-048-230A	TXV	47,000	14.50	12.50	CX35-49C	EL296UH110XV48C	8811405
EL16XC1-048-230A	TXV	47,000	14.50	12.50	CX35-49C	EL296UH110XV60C	8811406
EL16XC1-048-230A	TXV	47,000	15.10	12.50	CX35-49C	SL280UH090V60C	8811407
EL16XC1-048-230A	TXV	47,000	15.10	12.50	CX35-49C	SL280UH090XV60C	8811408
EL16XC1-048-230A	TXV	47,000	15.10	12.50	CX35-49C	SL280UH110V60C	8811409
EL16XC1-048-230A	TXV	47,000	15.10	12.50	CX35-49C	SL280UH110XV60C	8811410
EL16XC1-048-230A	TXV	47,000	14.50	12.50	CX35-49C	SLP98UH090XV48C	8811411
EL16XC1-048-230A	TXV	47,000	14.50	12.50	CX35-49C	SLP98UH090XV60C	8811412
EL16XC1-048-230A	TXV	47,000	14.50	12.50	CX35-49C	SLP98UH110XV60C	8811413
EL16XC1-048-230A	TXV	47,000	14.25	12.20	CX35-49C		8811414
EL16XC1-048-230A	TXV	45,500	14.50	12.50	CX35-50/60C	EL180UH090E60C	8811415
EL16XC1-048-230A	TXV	45,500	14.50	12.50	CX35-50/60C	EL180UH110E60C	8811416
EL16XC1-048-230A	TXV	45,500	14.50	12.50	CX35-50/60C	EL180UH110XE60C	8811417
EL16XC1-048-230A	TXV	45,500	14.50	12.20	CX35-50/60C	EL195UH090XE48C	8811418
EL16XC1-048-230A	TXV	45,500	14.50	12.20	CX35-50/60C	EL195UH110XE60C	8811419
EL16XC1-048-230A	TXV	45,500	14.50	12.20	CX35-50/60C	EL296UH090XE48C	8811420
EL16XC1-048-230A	TXV	46,000	14.25	12.20	CX35-50/60C	EL296UH090XV48C	8811421
EL16XC1-048-230A	TXV	46,000	14.25	12.20	CX35-50/60C	EL296UH090XV60C	8811422
EL16XC1-048-230A	TXV	45,500	14.50	12.20	CX35-50/60C	EL296UH110XE60C	8811423
EL16XC1-048-230A	TXV	46,000	14.25	12.20	CX35-50/60C	EL296UH110XV48C	8811424
EL16XC1-048-230A	TXV	46,000	14.25	12.20	CX35-50/60C	EL296UH110XV60C	8811425
EL16XC1-048-230A	TXV	46,000	14.50	12.50	CX35-50/60C	SL280UH090V60C	8811426
EL16XC1-048-230A	TXV	46,000	14.50	12.50	CX35-50/60C	SL280UH090XV60C	8811427
EL16XC1-048-230A	TXV	46,000	14.50	12.20	CX35-50/60C	SL280UH110V60C	8811428
EL16XC1-048-230A	TXV	46,000	14.50	12.20	CX35-50/60C	SL280UH110XV60C	8811429
EL16XC1-048-230A	TXV	46,000	14.25	12.20	CX35-50/60C	SLP98UH090XV48C	8811430
EL16XC1-048-230A	TXV	46,000	14.25	12.20	CX35-50/60C	SLP98UH090XV60C	8811431
EL16XC1-048-230A	TXV	46,000	14.25	12.20	CX35-50/60C	SLP98UH110XV60C	8811432
EL16XC1-048-230A	TXV	47,500	15.10	12.50	CX35-60C	EL180UH090E60C	8811433
EL16XC1-048-230A	TXV	47,000	15.10	12.50	CX35-60C	EL180UH110E60C	8811434
EL16XC1-048-230A	TXV	47,000	15.10	12.50	CX35-60C	EL180UH110XE60C	8811435
EL16XC1-048-230A	TXV	47,500	15.10	12.50	CX35-60C	EL195UH090XE48C	8811436
EL16XC1-048-230A	TXV	47,500	15.10	12.50	CX35-60C	EL195UH110XE60C	8811437
EL16XC1-048-230A	TXV	47,500	15.10	12.50	CX35-60C	EL296UH090XE48C	8811438
EL16XC1-048-230A	TXV	47,500	15.10	12.50	CX35-60C	EL296UH090XV48C	8811439
EL16XC1-048-230A	TXV	47,500	15.10	12.50	CX35-60C	EL296UH090XV60C	8811440

NOTES:

TXV = Matched with Thermostatic Expansion Valve.

RFC = Matched with RFC metering device.

AHRI certified to AHRI Standard 210/240 (with 25 ft. of connecting refrigerant lines); 95°F outdoor air temperature, 80°F db / 67°F wb entering evaporator air.

All ratings include the use of a blower time delay relay (TDR). All Lennox variable-speed furnaces and Air Handlers have time delay capabilities. Other Furnaces and Air Handlers may require an optional time delay relay (**58M81**) for field installation. See furnace or air handler specifications to determine if relay is needed.

Also see Expansion Valve Kit Usage Table.

AHRI SYSTEM MATCHES - ALL REGIONS - 018-024-030-041-042-047-048-060

NOTE - For the latest up-to-date system matches please visit the AHRI web site at <http://www.ahridirectory.org>

Model No.	Expansion Device	Capacity	SEER	EER	Coil or Air Handler	Furnace	AHRI Reference
EL16XC1-048-230A	TXV	47,500	15.10	12.50	CX35-60C	EL296UH110XE60C	8811441
EL16XC1-048-230A	TXV	47,500	15.10	12.50	CX35-60C	EL296UH110XV48C	8811442
EL16XC1-048-230A	TXV	47,500	15.10	12.50	CX35-60C	EL296UH110XV60C	8811443
EL16XC1-048-230A	TXV	47,500	15.10	12.50	CX35-60C	SL280UH090V60C	8811444
EL16XC1-048-230A	TXV	47,500	15.10	12.50	CX35-60C	SL280UH090XV60C	8811445
EL16XC1-048-230A	TXV	47,500	15.10	12.50	CX35-60C	SL280UH110V60C	8811446
EL16XC1-048-230A	TXV	47,500	15.10	12.50	CX35-60C	SL280UH110XV60C	8811447
EL16XC1-048-230A	TXV	47,500	15.10	12.50	CX35-60C	SLP98UH090XV48C	8811448
EL16XC1-048-230A	TXV	47,500	15.10	12.50	CX35-60C	SLP98UH090XV60C	8811449
EL16XC1-048-230A	TXV	47,500	15.10	12.50	CX35-60C	SLP98UH110XV60C	8811450
EL16XC1-048-230A	TXV	47,000	14.25	12.20	CX35-60C		8811451
EL16XC1-048-230A	TXV	47,500	15.10	12.50	CX35-60D	EL180UH135E60D	8811452
EL16XC1-048-230A	TXV	47,000	14.50	12.50	CX35-60D	EL195UH135XE60D	8811453
EL16XC1-048-230A	TXV	47,000	14.50	12.50	CX35-60D	EL296UH135XE60D	8811454
EL16XC1-048-230A	TXV	47,500	14.50	12.50	CX35-60D	EL296UH135XV60D	8811455
EL16XC1-048-230A	TXV	47,500	15.10	12.50	CX35-60D	SL280UH135V60D	8811456
EL16XC1-048-230A	TXV	47,500	14.50	12.50	CX35-60D	SLP98UH135XV60D	8811457
EL16XC1-048-230A	TXV	47,000	14.25	12.20	CX35-60D		8811458
EL16XC1-060-230A	TXV	59,000	14.00	12.00	C33-49		9040144
EL16XC1-060-230A	TXV	59,000	14.50	12.20	C33-49C	EL180UH090E60C	9040131
EL16XC1-060-230A	TXV	58,500	14.25	12.20	C33-49C	EL180UH110E60C	9040132
EL16XC1-060-230A	TXV	58,500	14.25	12.20	C33-49C	EL180UH110XE60C	9040133
EL16XC1-060-230A	TXV	58,500	14.25	12.20	C33-49C	EL195UH110XE60C	9040134
EL16XC1-060-230A	TXV	58,000	14.25	12.00	C33-49C	EL296UH090XV60C	9040135
EL16XC1-060-230A	TXV	58,500	14.25	12.20	C33-49C	EL296UH110XE60C	9040136
EL16XC1-060-230A	TXV	58,000	14.25	12.20	C33-49C	EL296UH110XV60C	9040137
EL16XC1-060-230A	TXV	59,000	14.50	12.20	C33-49C	SL280UH090V60C	9040138
EL16XC1-060-230A	TXV	59,000	14.50	12.20	C33-49C	SL280UH090XV60C	9040139
EL16XC1-060-230A	TXV	58,500	14.50	12.20	C33-49C	SL280UH110V60C	9040140
EL16XC1-060-230A	TXV	58,500	14.50	12.20	C33-49C	SL280UH110XV60C	9040141
EL16XC1-060-230A	TXV	58,000	14.25	12.20	C33-49C	SLP98UH090XV60C	9040142
EL16XC1-060-230A	TXV	58,000	14.25	12.20	C33-49C	SLP98UH110XV60C	9040143
EL16XC1-060-230A	TXV	59,000	14.00	12.00	C33-49C		9040145
EL16XC1-060-230A	TXV	57,500	14.20	12.00	C33-50/60C	EL180UH090E60C	9040146
EL16XC1-060-230A	TXV	57,000	14.00	11.70	C33-50/60C	EL180UH110E60C	9040147
EL16XC1-060-230A	TXV	57,000	14.00	11.70	C33-50/60C	EL180UH110XE60C	9040148
EL16XC1-060-230A	TXV	57,000	14.00	11.70	C33-50/60C	EL195UH110XE60C	9040149
EL16XC1-060-230A	TXV	57,000	14.00	11.70	C33-50/60C	EL296UH110XE60C	9040150
EL16XC1-060-230A	TXV	57,000	14.00	11.70	C33-50/60C	SL280UH090V60C	9040151
EL16XC1-060-230A	TXV	57,000	14.00	11.70	C33-50/60C	SL280UH090XV60C	9040152
EL16XC1-060-230A	TXV	59,000	14.50	12.20	C33-60D	EL180UH135E60D	9040153
EL16XC1-060-230A	TXV	59,000	14.00	12.00	C33-60D	EL195UH135XE60D	9040154
EL16XC1-060-230A	TXV	59,000	14.00	12.00	C33-60D	EL296UH135XE60D	9040155
EL16XC1-060-230A	TXV	58,000	14.50	12.20	C33-60D	EL296UH135XV60D	9040156
EL16XC1-060-230A	TXV	58,500	14.50	12.50	C33-60D	SL280UH135V60D	9040157
EL16XC1-060-230A	TXV	58,000	14.50	12.20	C33-60D	SLP98UH135XV60D	9040158
EL16XC1-060-230A	TXV	58,500	14.00	11.70	C33-60D		9040159
EL16XC1-060-230A	TXV	59,500	14.50	12.50	C33-62C	EL180UH090E60C	9040160
EL16XC1-060-230A	TXV	59,500	14.50	12.50	C33-62C	EL180UH110E60C	9040161

NOTES:

TXV = Matched with Thermostatic Expansion Valve.

RFC = Matched with RFC metering device.

AHRI certified to AHRI Standard 210/240 (with 25 ft. of connecting refrigerant lines); 95°F outdoor air temperature, 80°F db / 67°F wb entering evaporator air.

All ratings include the use of a blower time delay relay (TDR). All Lennox variable-speed furnaces and Air Handlers have time delay capabilities. Other Furnaces and Air Handlers may require an optional time delay relay (**58M81**) for field installation. See furnace or air handler specifications to determine if relay is needed.

Also see Expansion Valve Kit Usage Table.

AHRI SYSTEM MATCHES - ALL REGIONS - 018-024-030-041-042-047-048-060

NOTE - For the latest up-to-date system matches please visit the AHRI web site at <http://www.ahridirectory.org>

Model No.	Expansion Device	Capacity	SEER	EER	Coil or Air Handler	Furnace	AHRI Reference
EL16XC1-060-230A	TXV	59,500	14.50	12.50	C33-62C	EL180UH110XE60C	9040162
EL16XC1-060-230A	TXV	59,500	14.50	12.20	C33-62C	EL195UH110XE60C	9040163
EL16XC1-060-230A	TXV	59,000	14.50	12.20	C33-62C	EL296UH090XV60C	9040164
EL16XC1-060-230A	TXV	59,500	14.50	12.20	C33-62C	EL296UH110XE60C	9040165
EL16XC1-060-230A	TXV	59,000	14.50	12.50	C33-62C	EL296UH110XV60C	9040166
EL16XC1-060-230A	TXV	60,000	14.50	12.50	C33-62C	SL280UH090V60C	9040167
EL16XC1-060-230A	TXV	60,000	14.50	12.50	C33-62C	SL280UH090XV60C	9040168
EL16XC1-060-230A	TXV	59,500	14.50	12.20	C33-62C	SL280UH110V60C	9040169
EL16XC1-060-230A	TXV	59,500	14.50	12.20	C33-62C	SL280UH110XV60C	9040170
EL16XC1-060-230A	TXV	59,000	14.50	12.20	C33-62C	SLP98UH090XV60C	9040171
EL16XC1-060-230A	TXV	59,000	14.50	12.50	C33-62C	SLP98UH110XV60C	9040172
EL16XC1-060-230A	TXV	60,000	14.25	12.20	C33-62C		9040173
EL16XC1-060-230A	TXV	60,000	14.25	12.20	C33-62C		9040174
EL16XC1-060-230A	TXV	59,500	14.50	12.50	C33-62D	EL180UH135E60D	9040175
EL16XC1-060-230A	TXV	59,500	14.25	12.20	C33-62D	EL195UH135XE60D	9040176
EL16XC1-060-230A	TXV	59,500	14.25	12.20	C33-62D	EL296UH135XE60D	9040177
EL16XC1-060-230A	TXV	58,500	14.50	12.20	C33-62D	EL296UH135XV60D	9040178
EL16XC1-060-230A	TXV	59,000	15.00	12.50	C33-62D	SL280UH135V60D	9040179
EL16XC1-060-230A	TXV	58,500	14.50	12.20	C33-62D	SLP98UH135XV60D	9040180
EL16XC1-060-230A	TXV	59,000	14.00	12.00	C33-62D		9040182
EL16XC1-060-230A	TXV	59,500	14.00	12.20	C33-62D		9040181
EL16XC1-060-230A	TXV	59,000	14.50	12.20	C35-49C	EL180UH090E60C	9040183
EL16XC1-060-230A	TXV	59,000	14.50	12.20	C35-49C	EL180UH110E60C	9040185
EL16XC1-060-230A	TXV	59,000	14.50	12.20	C35-49C	EL180UH110XE60C	9040184
EL16XC1-060-230A	TXV	58,500	14.25	12.20	C35-49C	EL195UH110XE60C	9040186
EL16XC1-060-230A	TXV	58,000	14.25	12.00	C35-49C	EL296UH090XV60C	9040187
EL16XC1-060-230A	TXV	58,500	14.25	12.20	C35-49C	EL296UH110XE60C	9040188
EL16XC1-060-230A	TXV	58,000	14.25	12.20	C35-49C	EL296UH110XV60C	9040189
EL16XC1-060-230A	TXV	59,000	14.50	12.20	C35-49C	SL280UH090V60C	9040190
EL16XC1-060-230A	TXV	59,000	14.50	12.20	C35-49C	SL280UH090XV60C	9040191
EL16XC1-060-230A	TXV	59,000	14.25	12.20	C35-49C	SL280UH110V60C	9040192
EL16XC1-060-230A	TXV	59,000	14.25	12.20	C35-49C	SL280UH110XV60C	9040193
EL16XC1-060-230A	TXV	58,000	14.25	12.00	C35-49C	SLP98UH090XV60C	9040194
EL16XC1-060-230A	TXV	58,000	14.25	12.20	C35-49C	SLP98UH110XV60C	9040195
EL16XC1-060-230A	TXV	59,000	14.00	12.00	C35-49C		9040196
EL16XC1-060-230A	TXV	57,500	14.25	12.00	C35-50/60C	EL180UH090E60C	9040197
EL16XC1-060-230A	TXV	57,500	14.00	12.00	C35-50/60C	EL180UH110E60C	9040198
EL16XC1-060-230A	TXV	57,500	14.00	12.00	C35-50/60C	EL180UH110XE60C	9040199
EL16XC1-060-230A	TXV	57,500	14.00	12.00	C35-50/60C	EL195UH110XE60C	9040200
EL16XC1-060-230A	TXV	57,500	14.00	12.00	C35-50/60C	EL296UH110XE60C	9040201
EL16XC1-060-230A	TXV	57,500	14.00	11.70	C35-50/60C	SL280UH090V60C	9040202
EL16XC1-060-230A	TXV	57,500	14.00	11.70	C35-50/60C	SL280UH090XV60C	9040203
EL16XC1-060-230A	TXV	60,000	14.50	12.50	C35-60C	EL180UH090E60C	9040204
EL16XC1-060-230A	TXV	59,500	14.50	12.50	C35-60C	EL180UH110E60C	9040205
EL16XC1-060-230A	TXV	59,500	14.50	12.50	C35-60C	EL180UH110XE60C	9040206
EL16XC1-060-230A	TXV	59,500	14.50	12.20	C35-60C	EL195UH110XE60C	9040207
EL16XC1-060-230A	TXV	59,000	14.50	12.20	C35-60C	EL296UH090XV60C	9040208
EL16XC1-060-230A	TXV	59,500	14.50	12.20	C35-60C	EL296UH110XE60C	9040209
EL16XC1-060-230A	TXV	59,000	14.50	12.50	C35-60C	EL296UH110XV60C	9040210

NOTES:

TXV = Matched with Thermostatic Expansion Valve.

RFC = Matched with RFC metering device.

AHRI certified to AHRI Standard 210/240 (with 25 ft. of connecting refrigerant lines); 95°F outdoor air temperature, 80°F db / 67°F wb entering evaporator air.

All ratings include the use of a blower time delay relay (TDR). All Lennox variable-speed furnaces and Air Handlers have time delay capabilities. Other Furnaces and Air Handlers may require an optional time delay relay (**58M81**) for field installation. See furnace or air handler specifications to determine if relay is needed.

Also see Expansion Valve Kit Usage Table.

AHRI SYSTEM MATCHES - ALL REGIONS - 018-024-030-041-042-047-048-060

NOTE - For the latest up-to-date system matches please visit the AHRI web site at <http://www.ahridirectory.org>

Model No.	Expansion Device	Capacity	SEER	EER	Coil or Air Handler	Furnace	AHRI Reference
EL16XC1-060-230A	TXV	60,000	14.50	12.50	C35-60C	SL280UH090V60C	9040211
EL16XC1-060-230A	TXV	60,000	14.50	12.50	C35-60C	SL280UH090XV60C	9040212
EL16XC1-060-230A	TXV	59,500	14.50	12.20	C35-60C	SL280UH110V60C	9040213
EL16XC1-060-230A	TXV	59,500	14.50	12.20	C35-60C	SL280UH110XV60C	9040214
EL16XC1-060-230A	TXV	59,000	14.50	12.20	C35-60C	SLP98UH090XV60C	9040215
EL16XC1-060-230A	TXV	59,000	14.50	12.50	C35-60C	SLP98UH110XV60C	9040216
EL16XC1-060-230A	TXV	60,000	14.25	12.20	C35-60C		9040217
EL16XC1-060-230A	TXV	60,000	14.50	12.50	C35-60D	EL180UH135E60D	9040218
EL16XC1-060-230A	TXV	60,000	14.25	12.20	C35-60D	EL195UH135XE60D	9040219
EL16XC1-060-230A	TXV	60,000	14.25	12.20	C35-60D	EL296UH135XE60D	9040220
EL16XC1-060-230A	TXV	59,000	14.50	12.50	C35-60D	EL296UH135XV60D	9040221
EL16XC1-060-230A	TXV	59,500	14.50	12.50	C35-60D	SL280UH135V60D	9040222
EL16XC1-060-230A	TXV	59,500	15.00	12.50	C35-60D	SLP98UH135XV60D	9040223
EL16XC1-060-230A	TXV	59,500	14.00	12.00	C35-60D		9040224
EL16XC1-060-230A	TXV	59,500	14.25	12.20	CBX25UH-060		9040225
EL16XC1-060-230A	TXV	59,500	15.10	12.50	CBX25UHV-060		9040226
EL16XC1-060-230A	TXV	59,000	14.50	12.20	CBX27UH-060		9040227
EL16XC1-060-230A	TXV	58,500	14.25	12.20	CBX32M-060		9040228
EL16XC1-060-230A	TXV	58,000	14.25	12.00	CBX32MV-048		9040229
EL16XC1-060-230A	TXV	58,500	14.25	12.20	CBX32MV-060		9040230
EL16XC1-060-230A	TXV	58,500	14.50	12.20	CBX32MV-068		9040231
EL16XC1-060-230A	TXV	59,500	14.50	12.50	CH23-65	EL180UH090E60C	9040232
EL16XC1-060-230A	TXV	59,000	14.50	12.20	CH23-65	EL180UH110E60C	9040233
EL16XC1-060-230A	TXV	59,500	14.50	12.50	CH23-68	EL180UH135E60D	9040234
EL16XC1-060-230A	TXV	59,500	14.25	12.20	CH23-68	EL195UH135XE60D	9040235
EL16XC1-060-230A	TXV	58,500	14.50	12.20	CH23-68	EL296UH090XV60C	9040236
EL16XC1-060-230A	TXV	59,000	14.50	12.20	CH23-68	EL296UH110XV60C	9040237
EL16XC1-060-230A	TXV	59,500	14.25	12.20	CH23-68	EL296UH135XE60D	9040238
EL16XC1-060-230A	TXV	59,500	14.50	12.20	CH23-68	EL296UH135XV60D	9040239
EL16XC1-060-230A	TXV	59,000	14.50	12.20	CH23-68	SL280UH110V60C	9040240
EL16XC1-060-230A	TXV	59,000	15.10	12.50	CH23-68	SL280UH135V60D	9040241
EL16XC1-060-230A	TXV	59,000	14.00	12.00	CH23-68		9040242
EL16XC1-060-230A	TXV	58,500	14.50	12.20	CH33-49	EL180UH090E60C	9040243
EL16XC1-060-230A	TXV	58,500	14.50	12.20	CH33-49	EL180UH110E60C	9040244
EL16XC1-060-230A	TXV	58,500	14.25	12.20	CH33-49	EL195UH110XE60C	9040245
EL16XC1-060-230A	TXV	58,000	14.25	12.00	CH33-49	EL296UH090XV60C	9040246
EL16XC1-060-230A	TXV	58,500	14.25	12.20	CH33-49	EL296UH110XE60C	9040247
EL16XC1-060-230A	TXV	58,500	14.25	12.00	CH33-49	EL296UH110XV60C	9040248
EL16XC1-060-230A	TXV	59,000	14.50	12.20	CH33-49	SL280UH090V60C	9043433
EL16XC1-060-230A	TXV	58,500	14.25	12.20	CH33-49	SL280UH110V60C	9043435
EL16XC1-060-230A	TXV	58,000	14.25	12.00	CH33-49	SLP98UH090XV60C	9040249
EL16XC1-060-230A	TXV	58,000	14.25	12.20	CH33-49	SLP98UH110XV60C	9040250
EL16XC1-060-230A	TXV	59,000	14.00	12.00	CH33-49		9040252
EL16XC1-060-230A	TXV	59,500	14.00	12.20	CH33-49		9040251
EL16XC1-060-230A	TXV	58,500	14.25	12.20	CH33-50/60C	SL280UH090V60C	9043437
EL16XC1-060-230A	TXV	58,000	14.00	12.00	CH33-50/60C	SL280UH110V60C	9043438
EL16XC1-060-230A	TXV	58,500	14.00	11.70	CH33-50/60C		9040253
EL16XC1-060-230A	TXV	58,500	14.25	12.20	CH33-60D	EL180UH135E60D	9040254
EL16XC1-060-230A	TXV	58,000	14.00	11.70	CH33-60D	EL195UH135XE60D	9040255

NOTES:

TXV = Matched with Thermostatic Expansion Valve.

RFC = Matched with RFC metering device.

AHRI certified to AHRI Standard 210/240 (with 25 ft. of connecting refrigerant lines); 95°F outdoor air temperature, 80°F db / 67°F wb entering evaporator air. All ratings include the use of a blower time delay relay (TDR). All Lennox variable-speed furnaces and Air Handlers have time delay capabilities. Other Furnaces and Air Handlers may require an optional time delay relay (**58M81**) for field installation. See furnace or air handler specifications to determine if relay is needed.

Also see Expansion Valve Kit Usage Table.

AHRI SYSTEM MATCHES - ALL REGIONS - 018-024-030-041-042-047-048-060

NOTE - For the latest up-to-date system matches please visit the AHRI web site at <http://www.ahridirectory.org>

Model No.	Expansion Device	Capacity	SEER	EER	Coil or Air Handler	Furnace	AHRI Reference
EL16XC1-060-230A	TXV	58,000	14.00	11.70	CH33-60D	EL296UH135XE60D	9040256
EL16XC1-060-230A	TXV	58,500	14.25	12.20	CH33-60D	EL296UH135XV60D	9040257
EL16XC1-060-230A	TXV	58,000	14.50	12.50	CH33-60D	SL280UH135V60D	9040258
EL16XC1-060-230A	TXV	58,000	14.25	12.20	CH33-60D	SLP98UH135XV60D	9040259
EL16XC1-060-230A	TXV	59,000	14.50	12.20	CH33-62D	EL180UH135E60D	9040260
EL16XC1-060-230A	TXV	59,000	14.25	12.00	CH33-62D	EL195UH135XE60D	9040261
EL16XC1-060-230A	TXV	59,000	14.25	12.00	CH33-62D	EL296UH135XE60D	9040262
EL16XC1-060-230A	TXV	59,000	14.25	12.20	CH33-62D	EL296UH135XV60D	9040263
EL16XC1-060-230A	TXV	58,500	14.50	12.50	CH33-62D	SL280UH135V60D	9043439
EL16XC1-060-230A	TXV	58,500	14.50	12.20	CH33-62D	SLP98UH135XV60D	9040264
EL16XC1-060-230A	TXV	59,000	14.00	12.00	CH33-62D		9040265
EL16XC1-060-230A	TXV	58,500	14.00	11.70	CH33-62D		9040266
EL16XC1-060-230A	TXV	60,000	14.00	12.00	CH35-51C	EL180UH090E60C	9040267
EL16XC1-060-230A	TXV	60,000	14.00	12.00	CH35-51C	EL180UH110E60C	9040268
EL16XC1-060-230A	TXV	59,500	14.00	11.70	CH35-51C	EL195UH110XE60C	9040269
EL16XC1-060-230A	TXV	58,500	14.25	12.20	CH35-51C	EL296UH090XV60C	9040270
EL16XC1-060-230A	TXV	59,500	14.00	11.70	CH35-51C	EL296UH110XE60C	9040271
EL16XC1-060-230A	TXV	59,000	14.25	12.20	CH35-51C	EL296UH110XV60C	9040272
EL16XC1-060-230A	TXV	59,000	14.25	12.20	CH35-51C	SL280UH090V60C	9043440
EL16XC1-060-230A	TXV	58,500	14.25	12.00	CH35-51C	SL280UH110V60C	9043441
EL16XC1-060-230A	TXV	58,500	14.25	12.20	CH35-51C	SLP98UH090XV60C	9040273
EL16XC1-060-230A	TXV	58,500	14.50	12.20	CH35-51C	SLP98UH110XV60C	9040274
EL16XC1-060-230A	TXV	59,000	14.00	12.00	CH35-51C		9040275
EL16XC1-060-230A	TXV	59,000	14.50	12.20	CH35-60D	EL180UH135E60D	9040276
EL16XC1-060-230A	TXV	59,000	14.25	12.00	CH35-60D	EL195UH135XE60D	9040277
EL16XC1-060-230A	TXV	59,000	14.25	12.00	CH35-60D	EL296UH135XE60D	9040278
EL16XC1-060-230A	TXV	59,500	14.50	12.20	CH35-60D	EL296UH135XV60D	9040279
EL16XC1-060-230A	TXV	58,500	14.50	12.50	CH35-60D	SL280UH135V60D	9043442
EL16XC1-060-230A	TXV	59,000	14.50	12.20	CH35-60D	SLP98UH135XV60D	9040280
EL16XC1-060-230A	TXV	59,000	14.00	12.00	CH35-60D		9040281
EL16XC1-060-230A	TXV	57,500	14.25	12.00	CR33-50/60	EL180DF110E60C	9040282
EL16XC1-060-230A	TXV	57,500	14.25	12.00	CR33-50/60	EL195DF110XE60C	9040283
EL16XC1-060-230A	TXV	57,500	14.25	12.00	CR33-50/60	EL296DF110XE60C	9040284
EL16XC1-060-230A	TXV	57,000	14.00	11.70	CR33-50/60	SL280DF090V60C	9040285
EL16XC1-060-230A	TXV	57,500	14.00	12.00	CR33-50/60	SL280DF110V60C	9040286
EL16XC1-060-230A	TXV	59,000	14.50	12.20	CX34-49C	EL180UH090E60C	9040287
EL16XC1-060-230A	TXV	58,500	14.25	12.20	CX34-49C	EL180UH110E60C	9040288
EL16XC1-060-230A	TXV	58,500	14.25	12.20	CX34-49C	EL180UH110XE60C	9040289
EL16XC1-060-230A	TXV	58,500	14.25	12.20	CX34-49C	EL195UH110XE60C	9040290
EL16XC1-060-230A	TXV	58,000	14.25	12.00	CX34-49C	EL296UH090XV60C	9040291
EL16XC1-060-230A	TXV	58,500	14.25	12.20	CX34-49C	EL296UH110XE60C	9040292
EL16XC1-060-230A	TXV	58,000	14.25	12.20	CX34-49C	EL296UH110XV60C	9040293
EL16XC1-060-230A	TXV	59,000	14.50	12.20	CX34-49C	SL280UH090V60C	9040294
EL16XC1-060-230A	TXV	59,000	14.50	12.20	CX34-49C	SL280UH090XV60C	9040295
EL16XC1-060-230A	TXV	58,500	14.50	12.20	CX34-49C	SL280UH110V60C	9040296
EL16XC1-060-230A	TXV	58,500	14.50	12.20	CX34-49C	SL280UH110XV60C	9040297
EL16XC1-060-230A	TXV	58,000	14.25	12.20	CX34-49C	SLP98UH090XV60C	9040298
EL16XC1-060-230A	TXV	58,000	14.25	12.20	CX34-49C	SLP98UH110XV60C	9040299
EL16XC1-060-230A	TXV	59,000	14.00	12.00	CX34-49C		9040300

NOTES:

TXV = Matched with Thermostatic Expansion Valve.
RFC = Matched with RFC metering device.

AHRI certified to AHRI Standard 210/240 (with 25 ft. of connecting refrigerant lines); 95°F outdoor air temperature, 80°F db / 67°F wb entering evaporator air. All ratings include the use of a blower time delay relay (TDR). All Lennox variable-speed furnaces and Air Handlers have time delay capabilities. Other Furnaces and Air Handlers may require an optional time delay relay (**58M81**) for field installation. See furnace or air handler specifications to determine if relay is needed.

Also see Expansion Valve Kit Usage Table.

AHRI SYSTEM MATCHES - ALL REGIONS - 018-024-030-041-042-047-048-060

NOTE - For the latest up-to-date system matches please visit the AHRI web site at <http://www.ahridirectory.org>

Model No.	Expansion Device	Capacity	SEER	EER	Coil or Air Handler	Furnace	AHRI Reference
EL16XC1-060-230A	TXV	57,500	14.25	12.00	CX34-50/60C	EL180UH090E60C	9040301
EL16XC1-060-230A	TXV	57,000	14.00	12.00	CX34-50/60C	EL180UH110E60C	9040302
EL16XC1-060-230A	TXV	57,000	14.00	12.00	CX34-50/60C	EL180UH110XE60C	9040303
EL16XC1-060-230A	TXV	57,000	14.00	12.00	CX34-50/60C	EL195UH110XE60C	9040304
EL16XC1-060-230A	TXV	57,000	14.00	12.00	CX34-50/60C	EL296UH110XE60C	9040305
EL16XC1-060-230A	TXV	57,000	14.00	11.70	CX34-50/60C	SL280UH090V60C	9040306
EL16XC1-060-230A	TXV	57,000	14.00	11.70	CX34-50/60C	SL280UH090XV60C	9040307
EL16XC1-060-230A	TXV	59,000	14.50	12.20	CX34-60D	EL180UH135E60D	9040308
EL16XC1-060-230A	TXV	59,000	14.00	12.00	CX34-60D	EL195UH135XE60D	9040309
EL16XC1-060-230A	TXV	59,000	14.00	12.00	CX34-60D	EL296UH135XE60D	9040310
EL16XC1-060-230A	TXV	58,000	14.50	12.20	CX34-60D	EL296UH135XV60D	9040311
EL16XC1-060-230A	TXV	58,500	14.50	12.50	CX34-60D	SL280UH135V60D	9040312
EL16XC1-060-230A	TXV	58,000	14.50	12.20	CX34-60D	SLP98UH135XV60D	9040313
EL16XC1-060-230A	TXV	58,500	14.00	11.70	CX34-60D		9040314
EL16XC1-060-230A	TXV	59,500	14.50	12.50	CX34-62C	EL180UH090E60C	9040315
EL16XC1-060-230A	TXV	59,500	14.50	12.50	CX34-62C	EL180UH110E60C	9040316
EL16XC1-060-230A	TXV	59,500	14.50	12.50	CX34-62C	EL180UH110XE60C	9040317
EL16XC1-060-230A	TXV	59,500	14.50	12.20	CX34-62C	EL195UH110XE60C	9040318
EL16XC1-060-230A	TXV	59,000	14.50	12.20	CX34-62C	EL296UH090XV60C	9040319
EL16XC1-060-230A	TXV	59,500	14.50	12.20	CX34-62C	EL296UH110XE60C	9040320
EL16XC1-060-230A	TXV	59,000	14.50	12.50	CX34-62C	EL296UH110XV60C	9040321
EL16XC1-060-230A	TXV	60,000	14.50	12.50	CX34-62C	SL280UH090V60C	9040322
EL16XC1-060-230A	TXV	60,000	14.50	12.50	CX34-62C	SL280UH090XV60C	9040323
EL16XC1-060-230A	TXV	59,500	14.50	12.20	CX34-62C	SL280UH110V60C	9040324
EL16XC1-060-230A	TXV	59,500	14.50	12.20	CX34-62C	SL280UH110XV60C	9040325
EL16XC1-060-230A	TXV	59,000	14.50	12.20	CX34-62C	SLP98UH090XV60C	9040326
EL16XC1-060-230A	TXV	59,000	14.50	12.50	CX34-62C	SLP98UH110XV60C	9040327
EL16XC1-060-230A	TXV	60,000	14.25	12.20	CX34-62C		9040328
EL16XC1-060-230A	TXV	59,500	14.50	12.50	CX34-62D	EL180UH135E60D	9040329
EL16XC1-060-230A	TXV	59,500	14.25	12.20	CX34-62D	EL195UH135XE60D	9040330
EL16XC1-060-230A	TXV	59,500	14.25	12.20	CX34-62D	EL296UH135XE60D	9040331
EL16XC1-060-230A	TXV	58,500	14.50	12.20	CX34-62D	EL296UH135XV60D	9040332
EL16XC1-060-230A	TXV	59,000	15.00	12.50	CX34-62D	SL280UH135V60D	9040333
EL16XC1-060-230A	TXV	58,500	14.50	12.20	CX34-62D	SLP98UH135XV60D	9040334
EL16XC1-060-230A	TXV	59,000	14.00	12.00	CX34-62D		9040335
EL16XC1-060-230A	TXV	59,000	14.50	12.20	CX35-49C	EL180UH090E60C	9040336
EL16XC1-060-230A	TXV	59,000	14.50	12.20	CX35-49C	EL180UH110E60C	9040337
EL16XC1-060-230A	TXV	59,000	14.50	12.20	CX35-49C	EL180UH110XE60C	9040338
EL16XC1-060-230A	TXV	58,500	14.25	12.20	CX35-49C	EL195UH110XE60C	9040339
EL16XC1-060-230A	TXV	58,000	14.25	12.00	CX35-49C	EL296UH090XV60C	9040340
EL16XC1-060-230A	TXV	58,500	14.25	12.20	CX35-49C	EL296UH110XE60C	9040341
EL16XC1-060-230A	TXV	58,000	14.25	12.20	CX35-49C	EL296UH110XV60C	9040342
EL16XC1-060-230A	TXV	59,000	14.50	12.20	CX35-49C	SL280UH090V60C	9040343
EL16XC1-060-230A	TXV	59,000	14.50	12.20	CX35-49C	SL280UH090XV60C	9040344
EL16XC1-060-230A	TXV	59,000	14.25	12.20	CX35-49C	SL280UH110V60C	9040345
EL16XC1-060-230A	TXV	59,000	14.25	12.20	CX35-49C	SL280UH110XV60C	9040346
EL16XC1-060-230A	TXV	58,000	14.25	12.00	CX35-49C	SLP98UH090XV60C	9040347
EL16XC1-060-230A	TXV	58,000	14.25	12.20	CX35-49C	SLP98UH110XV60C	9040348
EL16XC1-060-230A	TXV	59,000	14.00	12.00	CX35-49C		9040349

NOTES:

TXV = Matched with Thermostatic Expansion Valve.

RFC = Matched with RFC metering device.

AHRI certified to AHRI Standard 210/240 (with 25 ft. of connecting refrigerant lines); 95°F outdoor air temperature, 80°F db / 67°F wb entering evaporator air. All ratings include the use of a blower time delay relay (TDR). All Lennox variable-speed furnaces and Air Handlers have time delay capabilities. Other Furnaces and Air Handlers may require an optional time delay relay (**58M81**) for field installation. See furnace or air handler specifications to determine if relay is needed.

Also see Expansion Valve Kit Usage Table.

AHRI SYSTEM MATCHES - ALL REGIONS - 018-024-030-041-042-047-048-060

NOTE - For the latest up-to-date system matches please visit the AHRI web site at <http://www.ahridirectory.org>

Model No.	Expansion Device	Capacity	SEER	EER	Coil or Air Handler	Furnace	AHRI Reference
EL16XC1-060-230A	TXV	57,500	14.25	12.00	CX35-50/60C	EL180UH090E60C	9040350
EL16XC1-060-230A	TXV	57,500	14.00	12.00	CX35-50/60C	EL180UH110E60C	9040351
EL16XC1-060-230A	TXV	57,500	14.00	12.00	CX35-50/60C	EL180UH110XE60C	9040352
EL16XC1-060-230A	TXV	57,500	14.00	12.00	CX35-50/60C	EL195UH110XE60C	9040353
EL16XC1-060-230A	TXV	57,500	14.00	12.00	CX35-50/60C	EL296UH110XE60C	9040354
EL16XC1-060-230A	TXV	57,500	14.00	11.70	CX35-50/60C	SL280UH090V60C	9040355
EL16XC1-060-230A	TXV	57,500	14.00	11.70	CX35-50/60C	SL280UH090XV60C	9040356
EL16XC1-060-230A	TXV	60,000	14.50	12.50	CX35-60C	EL180UH090E60C	9040357
EL16XC1-060-230A	TXV	59,500	14.50	12.50	CX35-60C	EL180UH110E60C	9040358
EL16XC1-060-230A	TXV	59,500	14.50	12.50	CX35-60C	EL180UH110XE60C	9040359
EL16XC1-060-230A	TXV	59,500	14.50	12.20	CX35-60C	EL195UH110XE60C	9040360
EL16XC1-060-230A	TXV	59,000	14.50	12.20	CX35-60C	EL296UH090XV60C	9040361
EL16XC1-060-230A	TXV	59,500	14.50	12.20	CX35-60C	EL296UH110XE60C	9040362
EL16XC1-060-230A	TXV	59,000	14.50	12.50	CX35-60C	EL296UH110XV60C	9040363
EL16XC1-060-230A	TXV	60,000	14.50	12.50	CX35-60C	SL280UH090V60C	9040364
EL16XC1-060-230A	TXV	60,000	14.50	12.50	CX35-60C	SL280UH090XV60C	9040365
EL16XC1-060-230A	TXV	59,500	14.50	12.20	CX35-60C	SL280UH110V60C	9040366
EL16XC1-060-230A	TXV	59,500	14.50	12.20	CX35-60C	SL280UH110XV60C	9040367
EL16XC1-060-230A	TXV	59,000	14.50	12.20	CX35-60C	SLP98UH090XV60C	9040368
EL16XC1-060-230A	TXV	59,000	14.50	12.50	CX35-60C	SLP98UH110XV60C	9040369
EL16XC1-060-230A	TXV	60,000	14.25	12.20	CX35-60C		9040370
EL16XC1-060-230A	TXV	60,000	14.50	12.50	CX35-60D	EL180UH135E60D	9040371
EL16XC1-060-230A	TXV	60,000	14.25	12.20	CX35-60D	EL195UH135XE60D	9040372
EL16XC1-060-230A	TXV	60,000	14.25	12.20	CX35-60D	EL296UH135XE60D	9040373
EL16XC1-060-230A	TXV	59,000	14.50	12.50	CX35-60D	EL296UH135XV60D	9040374
EL16XC1-060-230A	TXV	59,500	15.00	12.50	CX35-60D	SL280UH135V60D	9040375
EL16XC1-060-230A	TXV	59,500	15.00	12.50	CX35-60D	SLP98UH135XV60D	9040376
EL16XC1-060-230A	TXV	59,500	14.00	12.00	CX35-60D		9040377

NOTES:

TXV = Matched with Thermostatic Expansion Valve.

RFC = Matched with RFC metering device.

AHRI certified to AHRI Standard 210/240 (with 25 ft. of connecting refrigerant lines); 95°F outdoor air temperature, 80°F db / 67°F wb entering evaporator air. All ratings include the use of a blower time delay relay (TDR). All Lennox variable-speed furnaces and Air Handlers have time delay capabilities. Other Furnaces and Air Handlers may require an optional time delay relay (**58M81**) for field installation. See furnace or air handler specifications to determine if relay is needed.

Also see Expansion Valve Kit Usage Table.

AHRI SYSTEM MATCHES - NORTH / SOUTH REGIONS - S036

NOTE - For the latest up-to-date system matches please visit the AHRI web site at <http://www.ahridirectory.org>

Model No.	Expansion Device	Capacity	SEER	EER	Coil or Air Handler	Furnace	AHRI Reference
EL16XC1S036-230B	RFC	34,200	14.25	12.20	C33-38A		9125506
EL16XC1S036-230B	RFC	34,200	14.25	12.20	C33-38B		9125522
EL16XC1S036-230B	RFC	34,400	14.25	12.20	C33-43		9125552
EL16XC1S036-230B	RFC	34,800	14.50	12.20	C33-49		9125613
EL16XC1S036-230B	RFC	34,200	14.25	12.20	C33-50/60C		9125633
EL16XC1S036-230B	RFC	34,200	14.25	12.20	CH33-31B		9125853
EL16XC1S036-230B	RFC	35,000	14.50	12.20	CH33-43B		9125915
EL16XC1S036-230B	RFC	34,200	14.25	12.20	CH33-44/48B		9125949
EL16XC1S036-230B	RFC	34,400	14.25	12.20	CH33-48		9125969
EL16XC1S036-230B	RFC	34,800	14.50	12.20	CH33-49		9125989
EL16XC1S036-230B	RFC	34,600	14.50	12.20	CH33-50/60C		9126009
EL16XC1S036-230B	TXV	34,600	15.50	12.50	C33-31A	EL180UH045E36A	9125454
EL16XC1S036-230B	TXV	34,600	15.50	12.50	C33-31A	EL180UH045XE36A	9125455
EL16XC1S036-230B	TXV	34,600	15.10	12.50	C33-31A	SL280UH070V36A	9125456
EL16XC1S036-230B	TXV	34,600	15.10	12.50	C33-31A	SL280UH070XV36A	9125457
EL16XC1S036-230B	TXV	34,200	14.50	12.00	C33-31A		9126439
EL16XC1S036-230B	TXV	34,600	15.10	12.50	C33-31B	EL180UH070E36B	9125458
EL16XC1S036-230B	TXV	34,600	15.10	12.50	C33-31B	EL180UH070XE36B	9125459
EL16XC1S036-230B	TXV	34,400	15.50	12.50	C33-31B	EL180UH090E48B	9125460
EL16XC1S036-230B	TXV	34,400	15.50	12.50	C33-31B	EL180UH090XE48B	9125461
EL16XC1S036-230B	TXV	34,400	14.50	12.20	C33-31B	EL195UH045XE36B	9125462
EL16XC1S036-230B	TXV	34,200	15.10	12.50	C33-31B	EL195UH070XE36B	9125463
EL16XC1S036-230B	TXV	34,400	14.50	12.20	C33-31B	EL296UH045XE36B	9125464
EL16XC1S036-230B	TXV	34,400	15.10	12.50	C33-31B	EL296UH045XV36B	9125465
EL16XC1S036-230B	TXV	34,200	15.10	12.50	C33-31B	EL296UH070XE36B	9125466
EL16XC1S036-230B	TXV	34,600	15.10	12.50	C33-31B	EL296UH070XV36B	9125467
EL16XC1S036-230B	TXV	34,600	16.00	13.00	C33-31B	SL280UH090V36B	9125468
EL16XC1S036-230B	TXV	34,600	15.50	12.50	C33-31B	SL280UH090V48B	9125469
EL16XC1S036-230B	TXV	34,600	15.50	12.50	C33-31B	SL280UH090XV48B	9125470
EL16XC1S036-230B	TXV	34,600	15.10	12.50	C33-31B	SLP98UH070XV36B	9125471
EL16XC1S036-230B	TXV	34,200	14.50	12.00	C33-31B		9126440
EL16XC1S036-230B	TXV	33,600	14.50	12.20	C33-36A	EL180UH045E36A	9125472
EL16XC1S036-230B	TXV	33,600	14.50	12.20	C33-36A	EL180UH045XE36A	9125473
EL16XC1S036-230B	TXV	33,200	15.10	12.50	C33-36A	SL280UH070V36A	9125474
EL16XC1S036-230B	TXV	33,200	15.10	12.50	C33-36A	SL280UH070XV36A	9125475
EL16XC1S036-230B	TXV	33,400	15.50	12.50	C33-36B	EL180UH070E36B	9125476
EL16XC1S036-230B	TXV	33,400	15.50	12.50	C33-36B	EL180UH070XE36B	9125477
EL16XC1S036-230B	TXV	33,800	15.50	12.50	C33-36B	EL180UH090E48B	9125478
EL16XC1S036-230B	TXV	33,800	15.50	12.50	C33-36B	EL180UH090XE48B	9125479
EL16XC1S036-230B	TXV	33,000	15.10	12.20	C33-36B	EL195UH045XE36B	9125480
EL16XC1S036-230B	TXV	33,400	15.10	12.50	C33-36B	EL195UH070XE36B	9125481
EL16XC1S036-230B	TXV	33,000	15.10	12.20	C33-36B	EL296UH045XE36B	9125482
EL16XC1S036-230B	TXV	33,000	14.50	12.20	C33-36B	EL296UH045XV36B	9125483
EL16XC1S036-230B	TXV	33,400	15.10	12.50	C33-36B	EL296UH070XE36B	9125484
EL16XC1S036-230B	TXV	33,200	15.10	12.50	C33-36B	EL296UH070XV36B	9125485
EL16XC1S036-230B	TXV	33,600	15.50	12.50	C33-36B	SL280UH090V36B	9125486
EL16XC1S036-230B	TXV	33,600	15.50	12.50	C33-36B	SL280UH090V48B	9125487
EL16XC1S036-230B	TXV	33,600	15.50	12.50	C33-36B	SL280UH090XV48B	9125488
EL16XC1S036-230B	TXV	33,200	15.10	12.50	C33-36B	SLP98UH070XV36B	9125489

NOTES:

TXV = Matched with Thermostatic Expansion Valve.

RFC = Matched with RFC metering device.

AHRI certified to AHRI Standard 210/240 (with 25 ft. of connecting refrigerant lines); 95°F outdoor air temperature, 80°F db / 67°F wb entering evaporator air.

All ratings include the use of a blower time delay relay (TDR). All Lennox variable-speed furnaces and Air Handlers have time delay capabilities. Other Furnaces and Air Handlers may require an optional time delay relay (**58M81**) for field installation. See furnace or air handler specifications to determine if relay is needed.

Also see Expansion Valve Kit Usage Table.

AHRI SYSTEM MATCHES - NORTH / SOUTH REGIONS - S036

NOTE - For the latest up-to-date system matches please visit the AHRI web site at <http://www.ahridirectory.org>

Model No.	Expansion Device	Capacity	SEER	EER	Coil or Air Handler	Furnace	AHRI Reference
EL16XC1S036-230B	TXV	33,800	15.50	12.50	C33-36C	EL180UH090E60C	9125490
EL16XC1S036-230B	TXV	33,400	15.50	12.50	C33-36C	EL180UH110E60C	9125491
EL16XC1S036-230B	TXV	33,400	15.50	12.50	C33-36C	EL180UH110XE60C	9125492
EL16XC1S036-230B	TXV	33,600	15.50	12.50	C33-36C	EL195UH090XE48C	9125493
EL16XC1S036-230B	TXV	33,800	15.50	12.50	C33-36C	EL195UH110XE60C	9125494
EL16XC1S036-230B	TXV	33,600	15.50	12.50	C33-36C	EL296UH090XE48C	9125495
EL16XC1S036-230B	TXV	33,600	15.10	12.50	C33-36C	EL296UH090XV36C	9125496
EL16XC1S036-230B	TXV	33,400	15.50	12.50	C33-36C	EL296UH090XV48C	9125497
EL16XC1S036-230B	TXV	33,800	15.50	12.50	C33-36C	EL296UH110XE60C	9125498
EL16XC1S036-230B	TXV	33,600	15.50	12.50	C33-36C	EL296UH110XV48C	9125499
EL16XC1S036-230B	TXV	33,600	15.10	12.50	C33-36C	SLP98UH090XV36C	9125500
EL16XC1S036-230B	TXV	33,400	15.50	12.50	C33-36C	SLP98UH090XV48C	9125501
EL16XC1S036-230B	TXV	35,000	15.50	12.50	C33-38A	EL180UH045E36A	9125502
EL16XC1S036-230B	TXV	35,000	15.50	12.50	C33-38A	EL180UH045XE36A	9125503
EL16XC1S036-230B	TXV	35,000	15.50	12.50	C33-38A	SL280UH070V36A	9125504
EL16XC1S036-230B	TXV	35,000	15.50	12.50	C33-38A	SL280UH070XV36A	9125505
EL16XC1S036-230B	TXV	34,600	14.50	12.20	C33-38A		9125507
EL16XC1S036-230B	TXV	34,800	16.00	13.00	C33-38B	EL180UH070E36B	9125508
EL16XC1S036-230B	TXV	34,800	16.00	13.00	C33-38B	EL180UH070XE36B	9125509
EL16XC1S036-230B	TXV	35,200	16.00	13.00	C33-38B	EL180UH090E48B	9125510
EL16XC1S036-230B	TXV	35,200	16.00	13.00	C33-38B	EL180UH090XE48B	9125511
EL16XC1S036-230B	TXV	34,800	15.10	12.50	C33-38B	EL195UH045XE36B	9125512
EL16XC1S036-230B	TXV	34,800	15.50	12.50	C33-38B	EL195UH070XE36B	9125513
EL16XC1S036-230B	TXV	34,800	15.10	12.50	C33-38B	EL296UH045XE36B	9125514
EL16XC1S036-230B	TXV	35,000	15.50	12.50	C33-38B	EL296UH045XV36B	9125515
EL16XC1S036-230B	TXV	34,800	15.50	12.50	C33-38B	EL296UH070XE36B	9125516
EL16XC1S036-230B	TXV	35,000	15.50	12.50	C33-38B	EL296UH070XV36B	9125517
EL16XC1S036-230B	TXV	35,000	16.00	13.00	C33-38B	SL280UH090V36B	9125518
EL16XC1S036-230B	TXV	35,200	16.00	13.00	C33-38B	SL280UH090V48B	9125519
EL16XC1S036-230B	TXV	35,200	16.00	13.00	C33-38B	SL280UH090XV48B	9125520
EL16XC1S036-230B	TXV	35,000	15.50	12.50	C33-38B	SLP98UH070XV36B	9125521
EL16XC1S036-230B	TXV	34,600	14.50	12.20	C33-38B		9125523
EL16XC1S036-230B	TXV	33,400	15.50	12.50	C33-42	EL180UH070E36B	9125524
EL16XC1S036-230B	TXV	33,400	15.50	12.50	C33-42	EL180UH070XE36B	9125525
EL16XC1S036-230B	TXV	33,800	15.50	12.50	C33-42	EL180UH090E48B	9125526
EL16XC1S036-230B	TXV	33,800	15.50	12.50	C33-42	EL180UH090XE48B	9125527
EL16XC1S036-230B	TXV	33,000	15.10	12.20	C33-42	EL195UH045XE36B	9125528
EL16XC1S036-230B	TXV	33,400	15.10	12.50	C33-42	EL195UH070XE36B	9125529
EL16XC1S036-230B	TXV	33,000	15.10	12.20	C33-42	EL296UH045XE36B	9125530
EL16XC1S036-230B	TXV	33,000	14.50	12.20	C33-42	EL296UH045XV36B	9125531
EL16XC1S036-230B	TXV	33,400	15.10	12.50	C33-42	EL296UH070XE36B	9125532
EL16XC1S036-230B	TXV	33,200	15.10	12.50	C33-42	EL296UH070XV36B	9125533
EL16XC1S036-230B	TXV	33,600	15.50	12.50	C33-42	SL280UH090V36B	9125534
EL16XC1S036-230B	TXV	33,600	15.50	12.50	C33-42	SL280UH090V48B	9125535
EL16XC1S036-230B	TXV	33,600	15.50	12.50	C33-42	SL280UH090XV48B	9125536
EL16XC1S036-230B	TXV	33,200	15.10	12.50	C33-42	SLP98UH070XV36B	9125537
EL16XC1S036-230B	TXV	35,200	16.00	13.00	C33-43B	EL180UH070E36B	9125538
EL16XC1S036-230B	TXV	35,200	16.00	13.00	C33-43B	EL180UH070XE36B	9125539
EL16XC1S036-230B	TXV	35,600	16.00	13.00	C33-43B	EL180UH090E48B	9125540

NOTES:

TXV = Matched with Thermostatic Expansion Valve.

RFC = Matched with RFC metering device.

AHRI certified to AHRI Standard 210/240 (with 25 ft. of connecting refrigerant lines); 95°F outdoor air temperature, 80°F db / 67°F wb entering evaporator air.

All ratings include the use of a blower time delay relay (TDR). All Lennox variable-speed furnaces and Air Handlers have time delay capabilities. Other Furnaces and Air Handlers may require an optional time delay relay (**58M81**) for field installation. See furnace or air handler specifications to determine if relay is needed.

Also see Expansion Valve Kit Usage Table.

AHRI SYSTEM MATCHES - NORTH / SOUTH REGIONS - S036

NOTE - For the latest up-to-date system matches please visit the AHRI web site at <http://www.ahridirectory.org>

Model No.	Expansion Device	Capacity	SEER	EER	Coil or Air Handler	Furnace	AHRI Reference
EL16XC1S036-230B	TXV	35,600	16.00	13.00	C33-43B	EL180UH090XE48B	9125541
EL16XC1S036-230B	TXV	35,000	15.10	12.50	C33-43B	EL195UH045XE36B	9125542
EL16XC1S036-230B	TXV	35,000	16.00	13.00	C33-43B	EL195UH070XE36B	9125543
EL16XC1S036-230B	TXV	35,000	15.10	12.50	C33-43B	EL296UH045XE36B	9125544
EL16XC1S036-230B	TXV	35,200	15.50	12.50	C33-43B	EL296UH045XV36B	9125545
EL16XC1S036-230B	TXV	35,000	16.00	13.00	C33-43B	EL296UH070XE36B	9125546
EL16XC1S036-230B	TXV	35,200	15.50	12.50	C33-43B	EL296UH070XV36B	9125547
EL16XC1S036-230B	TXV	35,200	16.00	13.00	C33-43B	SL280UH090V36B	9125548
EL16XC1S036-230B	TXV	35,400	16.00	13.00	C33-43B	SL280UH090V48B	9125549
EL16XC1S036-230B	TXV	35,400	16.00	13.00	C33-43B	SL280UH090XV48B	9125550
EL16XC1S036-230B	TXV	35,200	15.50	12.50	C33-43B	SLP98UH070XV36B	9125551
EL16XC1S036-230B	TXV	34,800	14.50	12.20	C33-43B		9125553
EL16XC1S036-230B	TXV	35,600	16.00	13.00	C33-43C	EL180UH090E60C	9125554
EL16XC1S036-230B	TXV	35,200	16.00	13.00	C33-43C	EL180UH110E60C	9125555
EL16XC1S036-230B	TXV	35,200	16.00	13.00	C33-43C	EL180UH110XE60C	9125556
EL16XC1S036-230B	TXV	35,200	16.00	13.00	C33-43C	EL195UH090XE48C	9125557
EL16XC1S036-230B	TXV	35,600	16.00	13.00	C33-43C	EL195UH110XE60C	9125558
EL16XC1S036-230B	TXV	35,200	16.00	13.00	C33-43C	EL296UH090XE48C	9125559
EL16XC1S036-230B	TXV	35,400	16.00	13.00	C33-43C	EL296UH090XV36C	9125560
EL16XC1S036-230B	TXV	35,200	16.00	13.00	C33-43C	EL296UH090XV48C	9125561
EL16XC1S036-230B	TXV	35,600	16.00	13.00	C33-43C	EL296UH110XE60C	9125562
EL16XC1S036-230B	TXV	35,400	16.00	13.00	C33-43C	EL296UH110XV48C	9125563
EL16XC1S036-230B	TXV	35,600	16.00	13.00	C33-43C	EL296UH110XV60C	9125564
EL16XC1S036-230B	TXV	35,800	16.00	13.00	C33-43C	SL280UH090V60C	9125565
EL16XC1S036-230B	TXV	35,800	16.00	13.00	C33-43C	SL280UH090XV60C	9125566
EL16XC1S036-230B	TXV	35,600	16.00	13.00	C33-43C	SL280UH110V60C	9125567
EL16XC1S036-230B	TXV	35,600	16.00	13.00	C33-43C	SL280UH110XV60C	9125568
EL16XC1S036-230B	TXV	35,400	16.00	13.00	C33-43C	SLP98UH090XV36C	9125569
EL16XC1S036-230B	TXV	35,200	16.00	13.00	C33-43C	SLP98UH090XV48C	9125570
EL16XC1S036-230B	TXV	35,600	16.00	13.00	C33-43C	SLP98UH110XV60C	9125571
EL16XC1S036-230B	TXV	34,400	14.25	12.20	C33-43C		9126453
EL16XC1S036-230B	TXV	34,800	14.50	12.20	C33-43C		9125572
EL16XC1S036-230B	TXV	34,200	14.50	12.00	C33-44C		9126441
EL16XC1S036-230B	TXV	34,600	16.00	13.00	C33-48B	EL180UH070E36B	9125573
EL16XC1S036-230B	TXV	34,600	16.00	13.00	C33-48B	EL180UH070XE36B	9125574
EL16XC1S036-230B	TXV	35,000	16.00	13.00	C33-48B	EL180UH090E48B	9125575
EL16XC1S036-230B	TXV	35,000	16.00	13.00	C33-48B	EL180UH090XE48B	9125576
EL16XC1S036-230B	TXV	34,200	15.50	12.50	C33-48B	EL195UH045XE36B	9125577
EL16XC1S036-230B	TXV	34,400	15.50	12.50	C33-48B	EL195UH070XE36B	9125578
EL16XC1S036-230B	TXV	34,200	15.50	12.50	C33-48B	EL296UH045XE36B	9125579
EL16XC1S036-230B	TXV	34,600	15.10	12.50	C33-48B	EL296UH045XV36B	9125580
EL16XC1S036-230B	TXV	34,400	15.50	12.50	C33-48B	EL296UH070XE36B	9125581
EL16XC1S036-230B	TXV	34,600	15.50	12.50	C33-48B	EL296UH070XV36B	9125582
EL16XC1S036-230B	TXV	34,800	16.00	13.00	C33-48B	SL280UH090V36B	9125583
EL16XC1S036-230B	TXV	34,800	16.00	13.00	C33-48B	SL280UH090V48B	9125584
EL16XC1S036-230B	TXV	34,800	16.00	13.00	C33-48B	SL280UH090XV48B	9125585
EL16XC1S036-230B	TXV	34,600	15.50	12.50	C33-48B	SLP98UH070XV36B	9125586
EL16XC1S036-230B	TXV	34,200	14.50	12.00	C33-48B		9126442
EL16XC1S036-230B	TXV	34,600	16.00	13.00	C33-48C	EL195UH090XE48C	9125587

NOTES:

TXV = Matched with Thermostatic Expansion Valve.

RFC = Matched with RFC metering device.

AHRI certified to AHRI Standard 210/240 (with 25 ft. of connecting refrigerant lines); 95°F outdoor air temperature, 80°F db / 67°F wb entering evaporator air.

All ratings include the use of a blower time delay relay (TDR). All Lennox variable-speed furnaces and Air Handlers have time delay capabilities. Other Furnaces and Air Handlers may require an optional time delay relay (**58M81**) for field installation. See furnace or air handler specifications to determine if relay is needed.

Also see Expansion Valve Kit Usage Table.

AHRI SYSTEM MATCHES - NORTH / SOUTH REGIONS - S036

NOTE - For the latest up-to-date system matches please visit the AHRI web site at <http://www.ahridirectory.org>

Model No.	Expansion Device	Capacity	SEER	EER	Coil or Air Handler	Furnace	AHRI Reference
EL16XC1S036-230B	TXV	35,000	16.00	13.00	C33-48C	EL195UH110XE60C	9125588
EL16XC1S036-230B	TXV	34,600	16.00	13.00	C33-48C	EL296UH090XE48C	9125589
EL16XC1S036-230B	TXV	34,800	16.00	13.00	C33-48C	EL296UH090XV36C	9125590
EL16XC1S036-230B	TXV	34,600	16.00	13.00	C33-48C	EL296UH090XV48C	9125591
EL16XC1S036-230B	TXV	35,000	16.00	13.00	C33-48C	EL296UH110XE60C	9125592
EL16XC1S036-230B	TXV	34,800	16.00	13.00	C33-48C	SLP98UH090XV36C	9125593
EL16XC1S036-230B	TXV	34,600	16.00	13.00	C33-48C	SLP98UH090XV48C	9125594
EL16XC1S036-230B	TXV	34,200	14.50	12.00	C33-48C		9126443
EL16XC1S036-230B	TXV	35,800	16.00	13.00	C33-49	EL180UH090E60C	9125595
EL16XC1S036-230B	TXV	35,600	16.00	13.00	C33-49	EL180UH110E60C	9125596
EL16XC1S036-230B	TXV	35,600	16.00	13.00	C33-49	EL180UH110XE60C	9125597
EL16XC1S036-230B	TXV	35,600	16.00	13.00	C33-49	EL195UH090XE48C	9125598
EL16XC1S036-230B	TXV	36,000	16.00	13.00	C33-49	EL195UH110XE60C	9125599
EL16XC1S036-230B	TXV	35,600	16.00	13.00	C33-49	EL296UH090XE48C	9125600
EL16XC1S036-230B	TXV	35,800	16.00	13.00	C33-49	EL296UH090XV36C	9125601
EL16XC1S036-230B	TXV	35,600	16.00	13.00	C33-49	EL296UH090XV48C	9125602
EL16XC1S036-230B	TXV	36,000	16.00	13.00	C33-49	EL296UH110XE60C	9125603
EL16XC1S036-230B	TXV	35,800	16.00	13.00	C33-49	EL296UH110XV48C	9125604
EL16XC1S036-230B	TXV	36,000	16.00	13.00	C33-49	EL296UH110XV60C	9125605
EL16XC1S036-230B	TXV	36,000	16.00	13.00	C33-49	SL280UH090V60C	9125606
EL16XC1S036-230B	TXV	36,000	16.00	13.00	C33-49	SL280UH090XV60C	9125607
EL16XC1S036-230B	TXV	36,000	16.00	13.00	C33-49	SL280UH110V60C	9125608
EL16XC1S036-230B	TXV	36,000	16.00	13.00	C33-49	SL280UH110XV60C	9125609
EL16XC1S036-230B	TXV	35,800	16.00	13.00	C33-49	SLP98UH090XV36C	9125610
EL16XC1S036-230B	TXV	35,600	16.00	13.00	C33-49	SLP98UH090XV48C	9125611
EL16XC1S036-230B	TXV	36,000	16.00	13.00	C33-49	SLP98UH110XV60C	9125612
EL16XC1S036-230B	TXV	35,200	14.50	12.20	C33-49		9125614
EL16XC1S036-230B	TXV	35,400	16.00	13.00	C33-50/60C	EL180UH090E60C	9125615
EL16XC1S036-230B	TXV	35,000	16.00	13.00	C33-50/60C	EL180UH110E60C	9125616
EL16XC1S036-230B	TXV	35,000	16.00	13.00	C33-50/60C	EL180UH110XE60C	9125617
EL16XC1S036-230B	TXV	35,000	16.00	13.00	C33-50/60C	EL195UH090XE48C	9125618
EL16XC1S036-230B	TXV	35,400	16.00	13.00	C33-50/60C	EL195UH110XE60C	9125619
EL16XC1S036-230B	TXV	35,000	16.00	13.00	C33-50/60C	EL296UH090XE48C	9125620
EL16XC1S036-230B	TXV	35,200	16.00	13.00	C33-50/60C	EL296UH090XV36C	9125621
EL16XC1S036-230B	TXV	35,000	16.00	13.00	C33-50/60C	EL296UH090XV48C	9125622
EL16XC1S036-230B	TXV	35,400	16.00	13.00	C33-50/60C	EL296UH110XE60C	9125623
EL16XC1S036-230B	TXV	35,200	16.00	13.00	C33-50/60C	EL296UH110XV48C	9125624
EL16XC1S036-230B	TXV	35,400	16.00	13.00	C33-50/60C	EL296UH110XV60C	9125625
EL16XC1S036-230B	TXV	35,600	16.00	13.00	C33-50/60C	SL280UH090V60C	9125626
EL16XC1S036-230B	TXV	35,600	16.00	13.00	C33-50/60C	SL280UH090XV60C	9125627
EL16XC1S036-230B	TXV	35,400	16.00	13.00	C33-50/60C	SL280UH110V60C	9125628
EL16XC1S036-230B	TXV	35,400	16.00	13.00	C33-50/60C	SL280UH110XV60C	9125629
EL16XC1S036-230B	TXV	35,200	16.00	13.00	C33-50/60C	SLP98UH090XV36C	9125630
EL16XC1S036-230B	TXV	35,000	16.00	13.00	C33-50/60C	SLP98UH090XV48C	9125631
EL16XC1S036-230B	TXV	35,400	16.00	13.00	C33-50/60C	SLP98UH110XV60C	9125632
EL16XC1S036-230B	TXV	34,600	14.50	12.20	C33-50/60C		9125634
EL16XC1S036-230B	TXV	33,600	15.10	12.20	C35-30/36A	EL180UH045E36A	9125635
EL16XC1S036-230B	TXV	33,600	15.10	12.20	C35-30/36A	EL180UH045XE36A	9125636
EL16XC1S036-230B	TXV	33,400	15.10	12.50	C35-30/36A	SL280UH070V36A	9125637

NOTES:

TXV = Matched with Thermostatic Expansion Valve.

RFC = Matched with RFC metering device.

AHRI certified to AHRI Standard 210/240 (with 25 ft. of connecting refrigerant lines); 95°F outdoor air temperature, 80°F db / 67°F wb entering evaporator air.

All ratings include the use of a blower time delay relay (TDR). All Lennox variable-speed furnaces and Air Handlers have time delay capabilities. Other Furnaces and Air Handlers may require an optional time delay relay (**58M81**) for field installation. See furnace or air handler specifications to determine if relay is needed.

Also see Expansion Valve Kit Usage Table.

AHRI SYSTEM MATCHES - NORTH / SOUTH REGIONS - S036

NOTE - For the latest up-to-date system matches please visit the AHRI web site at <http://www.ahridirectory.org>

Model No.	Expansion Device	Capacity	SEER	EER	Coil or Air Handler	Furnace	AHRI Reference
EL16XC1S036-230B	TXV	33,400	15.10	12.50	C35-30/36A	SL280UH070XV36A	9125638
EL16XC1S036-230B	TXV	33,600	15.50	12.50	C35-30/36B	EL180UH070E36B	9125639
EL16XC1S036-230B	TXV	33,600	15.50	12.50	C35-30/36B	EL180UH070XE36B	9125640
EL16XC1S036-230B	TXV	34,000	15.50	12.50	C35-30/36B	EL180UH090E48B	9125641
EL16XC1S036-230B	TXV	34,000	15.50	12.50	C35-30/36B	EL180UH090XE48B	9125642
EL16XC1S036-230B	TXV	33,200	15.10	12.50	C35-30/36B	EL195UH045XE36B	9125643
EL16XC1S036-230B	TXV	33,200	15.10	12.50	C35-30/36B	EL296UH045XE36B	9125644
EL16XC1S036-230B	TXV	33,200	15.10	12.20	C35-30/36B	EL296UH045XV36B	9125645
EL16XC1S036-230B	TXV	33,400	15.10	12.50	C35-30/36B	EL296UH070XV36B	9125646
EL16XC1S036-230B	TXV	33,600	15.50	12.50	C35-30/36B	SL280UH090V36B	9125647
EL16XC1S036-230B	TXV	33,800	15.50	12.50	C35-30/36B	SL280UH090V48B	9125648
EL16XC1S036-230B	TXV	33,800	15.50	12.50	C35-30/36B	SL280UH090XV48B	9125649
EL16XC1S036-230B	TXV	33,400	15.10	12.50	C35-30/36B	SLP98UH070XV36B	9125650
EL16XC1S036-230B	TXV	34,000	15.50	12.50	C35-30/36C	EL180UH090E60C	9125651
EL16XC1S036-230B	TXV	33,600	15.50	12.50	C35-30/36C	EL180UH110E60C	9125652
EL16XC1S036-230B	TXV	33,600	15.50	12.50	C35-30/36C	EL180UH110XE60C	9125653
EL16XC1S036-230B	TXV	33,600	15.50	12.50	C35-30/36C	EL195UH090XE48C	9125654
EL16XC1S036-230B	TXV	34,000	15.50	12.50	C35-30/36C	EL195UH110XE60C	9125655
EL16XC1S036-230B	TXV	33,600	15.50	12.50	C35-30/36C	EL296UH090XE48C	9125656
EL16XC1S036-230B	TXV	33,800	15.50	12.50	C35-30/36C	EL296UH090XV36C	9125657
EL16XC1S036-230B	TXV	33,600	15.50	12.50	C35-30/36C	EL296UH090XV48C	9125658
EL16XC1S036-230B	TXV	34,000	15.50	12.50	C35-30/36C	EL296UH110XE60C	9125659
EL16XC1S036-230B	TXV	33,800	15.50	12.50	C35-30/36C	EL296UH110XV48C	9125660
EL16XC1S036-230B	TXV	33,800	15.50	12.50	C35-30/36C	SLP98UH090XV36C	9125661
EL16XC1S036-230B	TXV	33,600	15.50	12.50	C35-30/36C	SLP98UH090XV48C	9125662
EL16XC1S036-230B	TXV	34,000	15.50	12.50	C35-30/36C	SLP98UH110XV60C	9125663
EL16XC1S036-230B	TXV	34,800	15.50	12.50	C35-30A	EL180UH045E36A	9125664
EL16XC1S036-230B	TXV	34,800	15.50	12.50	C35-30A	EL180UH045XE36A	9125665
EL16XC1S036-230B	TXV	34,600	15.50	12.50	C35-30A	SL280UH070V36A	9125666
EL16XC1S036-230B	TXV	34,600	15.50	12.50	C35-30A	SL280UH070XV36A	9125667
EL16XC1S036-230B	TXV	34,400	16.00	13.00	C35-30B	EL180UH070E36B	9125668
EL16XC1S036-230B	TXV	34,400	16.00	13.00	C35-30B	EL180UH070XE36B	9125669
EL16XC1S036-230B	TXV	34,600	15.50	12.50	C35-30B	EL180UH090E48B	9125670
EL16XC1S036-230B	TXV	34,600	15.50	12.50	C35-30B	EL180UH090XE48B	9125671
EL16XC1S036-230B	TXV	34,400	14.50	12.20	C35-30B	EL195UH045XE36B	9125672
EL16XC1S036-230B	TXV	34,400	15.50	12.50	C35-30B	EL195UH070XE36B	9125673
EL16XC1S036-230B	TXV	34,400	14.50	12.20	C35-30B	EL296UH045XE36B	9125674
EL16XC1S036-230B	TXV	34,600	15.10	12.50	C35-30B	EL296UH045XV36B	9125675
EL16XC1S036-230B	TXV	34,400	15.50	12.50	C35-30B	EL296UH070XE36B	9125676
EL16XC1S036-230B	TXV	34,600	15.50	12.50	C35-30B	EL296UH070XV36B	9125677
EL16XC1S036-230B	TXV	34,800	16.00	13.00	C35-30B	SL280UH090V36B	9125678
EL16XC1S036-230B	TXV	34,800	16.00	13.00	C35-30B	SL280UH090V48B	9125679
EL16XC1S036-230B	TXV	34,800	16.00	13.00	C35-30B	SL280UH090XV48B	9125680
EL16XC1S036-230B	TXV	34,600	15.50	12.50	C35-30B	SLP98UH070XV36B	9125681
EL16XC1S036-230B	TXV	35,200	15.50	12.50	C35-36A	EL180UH045E36A	9125682
EL16XC1S036-230B	TXV	35,200	15.50	12.50	C35-36A	EL180UH045XE36A	9125683
EL16XC1S036-230B	TXV	35,000	15.50	12.50	C35-36A	SL280UH070V36A	9125684
EL16XC1S036-230B	TXV	35,000	15.50	12.50	C35-36A	SL280UH070XV36A	9125685
EL16XC1S036-230B	TXV	34,600	14.50	12.20	C35-36A		9125686

NOTES:

TXV = Matched with Thermostatic Expansion Valve.

RFC = Matched with RFC metering device.

AHRI certified to AHRI Standard 210/240 (with 25 ft. of connecting refrigerant lines); 95°F outdoor air temperature, 80°F db / 67°F wb entering evaporator air.

All ratings include the use of a blower time delay relay (TDR). All Lennox variable-speed furnaces and Air Handlers have time delay capabilities. Other Furnaces and Air Handlers may require an optional time delay relay (**58M81**) for field installation. See furnace or air handler specifications to determine if relay is needed.

Also see Expansion Valve Kit Usage Table.

AHRI SYSTEM MATCHES - NORTH / SOUTH REGIONS - S036

NOTE - For the latest up-to-date system matches please visit the AHRI web site at <http://www.ahridirectory.org>

Model No.	Expansion Device	Capacity	SEER	EER	Coil or Air Handler	Furnace	AHRI Reference
EL16XC1S036-230B	TXV	35,000	16.00	13.00	C35-36B	EL180UH070E36B	9125687
EL16XC1S036-230B	TXV	35,000	16.00	13.00	C35-36B	EL180UH070XE36B	9125688
EL16XC1S036-230B	TXV	35,400	16.00	13.00	C35-36B	EL180UH090E48B	9125689
EL16XC1S036-230B	TXV	35,400	16.00	13.00	C35-36B	EL180UH090XE48B	9125690
EL16XC1S036-230B	TXV	34,600	15.50	12.50	C35-36B	EL195UH045XE36B	9125691
EL16XC1S036-230B	TXV	35,000	15.50	12.50	C35-36B	EL195UH070XE36B	9125692
EL16XC1S036-230B	TXV	34,600	15.50	12.50	C35-36B	EL296UH045XE36B	9125693
EL16XC1S036-230B	TXV	35,000	15.50	12.50	C35-36B	EL296UH045XV36B	9125694
EL16XC1S036-230B	TXV	35,000	15.50	12.50	C35-36B	EL296UH070XE36B	9125695
EL16XC1S036-230B	TXV	35,000	15.50	12.50	C35-36B	EL296UH070XV36B	9125696
EL16XC1S036-230B	TXV	35,200	16.00	13.00	C35-36B	SL280UH090V36B	9125697
EL16XC1S036-230B	TXV	35,200	16.00	13.00	C35-36B	SL280UH090V48B	9125698
EL16XC1S036-230B	TXV	35,200	16.00	13.00	C35-36B	SL280UH090XV48B	9125699
EL16XC1S036-230B	TXV	35,000	15.50	12.50	C35-36B	SLP98UH070XV36B	9125700
EL16XC1S036-230B	TXV	34,600	14.50	12.20	C35-36B		9125701
EL16XC1S036-230B	TXV	35,200	16.00	13.00	C35-48B	EL180UH070E36B	9125702
EL16XC1S036-230B	TXV	35,200	16.00	13.00	C35-48B	EL180UH070XE36B	9125703
EL16XC1S036-230B	TXV	35,600	16.00	13.00	C35-48B	EL180UH090E48B	9125704
EL16XC1S036-230B	TXV	35,600	16.00	13.00	C35-48B	EL180UH090XE48B	9125705
EL16XC1S036-230B	TXV	34,800	15.50	12.50	C35-48B	EL195UH045XE36B	9125706
EL16XC1S036-230B	TXV	35,200	16.00	13.00	C35-48B	EL195UH070XE36B	9125707
EL16XC1S036-230B	TXV	34,800	15.50	12.50	C35-48B	EL296UH045XE36B	9125708
EL16XC1S036-230B	TXV	35,200	15.50	12.50	C35-48B	EL296UH045XV36B	9125709
EL16XC1S036-230B	TXV	35,200	16.00	13.00	C35-48B	EL296UH070XE36B	9125710
EL16XC1S036-230B	TXV	35,200	15.50	12.50	C35-48B	EL296UH070XV36B	9125711
EL16XC1S036-230B	TXV	35,400	16.00	13.00	C35-48B	SL280UH090V36B	9125712
EL16XC1S036-230B	TXV	35,400	16.00	13.00	C35-48B	SL280UH090V48B	9125713
EL16XC1S036-230B	TXV	35,400	16.00	13.00	C35-48B	SL280UH090XV48B	9125714
EL16XC1S036-230B	TXV	35,200	15.50	12.50	C35-48B	SLP98UH070XV36B	9125715
EL16XC1S036-230B	TXV	34,800	14.50	12.20	C35-48B		9125716
EL16XC1S036-230B	TXV	35,600	16.00	13.00	C35-48C	EL180UH090E60C	9125717
EL16XC1S036-230B	TXV	35,200	16.00	13.00	C35-48C	EL180UH110E60C	9125718
EL16XC1S036-230B	TXV	35,200	16.00	13.00	C35-48C	EL180UH110XE60C	9125719
EL16XC1S036-230B	TXV	35,400	16.00	13.00	C35-48C	EL195UH090XE48C	9125720
EL16XC1S036-230B	TXV	35,600	16.00	13.00	C35-48C	EL195UH110XE60C	9125721
EL16XC1S036-230B	TXV	35,400	16.00	13.00	C35-48C	EL296UH090XE48C	9125722
EL16XC1S036-230B	TXV	35,400	16.00	13.00	C35-48C	EL296UH090XV36C	9125723
EL16XC1S036-230B	TXV	35,200	16.00	13.00	C35-48C	EL296UH090XV48C	9125724
EL16XC1S036-230B	TXV	35,600	16.00	13.00	C35-48C	EL296UH110XE60C	9125725
EL16XC1S036-230B	TXV	35,400	16.00	13.00	C35-48C	EL296UH110XV48C	9125726
EL16XC1S036-230B	TXV	35,800	16.00	13.00	C35-48C	EL296UH110XV60C	9125727
EL16XC1S036-230B	TXV	35,800	16.00	13.00	C35-48C	SL280UH090V60C	9125728
EL16XC1S036-230B	TXV	35,800	16.00	13.00	C35-48C	SL280UH090XV60C	9125729
EL16XC1S036-230B	TXV	35,800	16.00	13.00	C35-48C	SL280UH110V60C	9125730
EL16XC1S036-230B	TXV	35,800	16.00	13.00	C35-48C	SL280UH110XV60C	9125731
EL16XC1S036-230B	TXV	35,400	16.00	13.00	C35-48C	SLP98UH090XV36C	9125732
EL16XC1S036-230B	TXV	35,200	16.00	13.00	C35-48C	SLP98UH090XV48C	9125733
EL16XC1S036-230B	TXV	35,800	16.00	13.00	C35-48C	SLP98UH110XV60C	9125734
EL16XC1S036-230B	TXV	34,800	14.50	12.20	C35-48C		9125735

NOTES:

TXV = Matched with Thermostatic Expansion Valve.

RFC = Matched with RFC metering device.

AHRI certified to AHRI Standard 210/240 (with 25 ft. of connecting refrigerant lines); 95°F outdoor air temperature, 80°F db / 67°F wb entering evaporator air.

All ratings include the use of a blower time delay relay (TDR). All Lennox variable-speed furnaces and Air Handlers have time delay capabilities. Other Furnaces and Air Handlers may require an optional time delay relay (**58M81**) for field installation. See furnace or air handler specifications to determine if relay is needed.

Also see Expansion Valve Kit Usage Table.

AHRI SYSTEM MATCHES - NORTH / SOUTH REGIONS - S036

NOTE - For the latest up-to-date system matches please visit the AHRI web site at <http://www.ahridirectory.org>

Model No.	Expansion Device	Capacity	SEER	EER	Coil or Air Handler	Furnace	AHRI Reference
EL16XC1S036-230B	TXV	36,000	16.00	13.00	C35-49C	EL180UH090E60C	9125736
EL16XC1S036-230B	TXV	35,600	16.00	13.00	C35-49C	EL180UH110E60C	9125737
EL16XC1S036-230B	TXV	35,600	16.00	13.00	C35-49C	EL180UH110XE60C	9125738
EL16XC1S036-230B	TXV	35,600	16.00	13.00	C35-49C	EL195UH090XE48C	9125739
EL16XC1S036-230B	TXV	36,000	16.00	13.00	C35-49C	EL195UH110XE60C	9125740
EL16XC1S036-230B	TXV	35,600	16.00	13.00	C35-49C	EL296UH090XE48C	9125741
EL16XC1S036-230B	TXV	35,800	16.00	13.00	C35-49C	EL296UH090XV36C	9125742
EL16XC1S036-230B	TXV	35,600	16.00	13.00	C35-49C	EL296UH090XV48C	9125743
EL16XC1S036-230B	TXV	36,000	16.00	13.00	C35-49C	EL296UH110XE60C	9125744
EL16XC1S036-230B	TXV	35,800	16.00	13.00	C35-49C	EL296UH110XV48C	9125745
EL16XC1S036-230B	TXV	36,000	16.00	13.00	C35-49C	EL296UH110XV60C	9125746
EL16XC1S036-230B	TXV	36,000	16.00	13.00	C35-49C	SL280UH090V60C	9125747
EL16XC1S036-230B	TXV	36,000	16.00	13.00	C35-49C	SL280UH090XV60C	9125748
EL16XC1S036-230B	TXV	36,000	16.00	13.00	C35-49C	SL280UH110V60C	9125749
EL16XC1S036-230B	TXV	36,000	16.00	13.00	C35-49C	SL280UH110XV60C	9125750
EL16XC1S036-230B	TXV	35,800	16.00	13.00	C35-49C	SLP98UH090XV36C	9125751
EL16XC1S036-230B	TXV	35,600	16.00	13.00	C35-49C	SLP98UH090XV48C	9125752
EL16XC1S036-230B	TXV	36,000	16.00	13.00	C35-49C	SLP98UH110XV60C	9125753
EL16XC1S036-230B	TXV	35,200	14.50	12.20	C35-49C		9125754
EL16XC1S036-230B	TXV	35,400	16.00	13.00	C35-50/60C	EL180UH090E60C	9125755
EL16XC1S036-230B	TXV	35,000	16.00	13.00	C35-50/60C	EL180UH110E60C	9125756
EL16XC1S036-230B	TXV	35,000	16.00	13.00	C35-50/60C	EL180UH110XE60C	9125757
EL16XC1S036-230B	TXV	35,200	16.00	13.00	C35-50/60C	EL195UH090XE48C	9125758
EL16XC1S036-230B	TXV	35,400	16.00	13.00	C35-50/60C	EL195UH110XE60C	9125759
EL16XC1S036-230B	TXV	35,200	16.00	13.00	C35-50/60C	EL296UH090XE48C	9125760
EL16XC1S036-230B	TXV	35,200	16.00	13.00	C35-50/60C	EL296UH090XV36C	9125761
EL16XC1S036-230B	TXV	35,000	16.00	13.00	C35-50/60C	EL296UH090XV48C	9125762
EL16XC1S036-230B	TXV	35,400	16.00	13.00	C35-50/60C	EL296UH110XE60C	9125763
EL16XC1S036-230B	TXV	35,200	16.00	13.00	C35-50/60C	EL296UH110XV48C	9125764
EL16XC1S036-230B	TXV	35,600	16.00	13.00	C35-50/60C	EL296UH110XV60C	9125765
EL16XC1S036-230B	TXV	35,600	16.00	13.00	C35-50/60C	SL280UH090V60C	9125766
EL16XC1S036-230B	TXV	35,600	16.00	13.00	C35-50/60C	SL280UH090XV60C	9125767
EL16XC1S036-230B	TXV	35,400	16.00	13.00	C35-50/60C	SL280UH110V60C	9125768
EL16XC1S036-230B	TXV	35,400	16.00	13.00	C35-50/60C	SL280UH110XV60C	9125769
EL16XC1S036-230B	TXV	35,200	16.00	13.00	C35-50/60C	SLP98UH090XV36C	9125770
EL16XC1S036-230B	TXV	35,000	16.00	13.00	C35-50/60C	SLP98UH090XV48C	9125771
EL16XC1S036-230B	TXV	35,600	16.00	13.00	C35-50/60C	SLP98UH110XV60C	9125772
EL16XC1S036-230B	TXV	34,600	14.50	12.20	C35-50/60C		9125773
EL16XC1S036-230B	TXV	34,600	16.00	13.00	CBA27UHE-036		10259409
EL16XC1S036-230B	TXV	35,400	16.00	13.00	CBA27UHE-042		10259410
EL16XC1S036-230B	TXV	33,800	14.50	12.00	CBX25UH-036		9126444
EL16XC1S036-230B	TXV	34,600	15.10	12.50	CBX25UH-042		9125774
EL16XC1S036-230B	TXV	33,800	15.10	12.50	CBX25UHV-036		9125775
EL16XC1S036-230B	TXV	35,000	16.00	13.00	CBX25UHV-042		9125776
EL16XC1S036-230B	TXV	34,400	16.00	13.00	CBX27UH-036		9125777
EL16XC1S036-230B	TXV	35,200	16.00	13.00	CBX27UH-042		9125778
EL16XC1S036-230B	TXV	33,800	15.10	12.50	CBX32M-030		9125779
EL16XC1S036-230B	TXV	34,000	14.50	12.20	CBX32M-036		9125780
EL16XC1S036-230B	TXV	34,000	14.50	12.20	CBX32M-042		9125781

NOTES:

TXV = Matched with Thermostatic Expansion Valve.

RFC = Matched with RFC metering device.

AHRI certified to AHRI Standard 210/240 (with 25 ft. of connecting refrigerant lines); 95°F outdoor air temperature, 80°F db / 67°F wb entering evaporator air.

All ratings include the use of a blower time delay relay (TDR). All Lennox variable-speed furnaces and Air Handlers have time delay capabilities. Other Furnaces and Air Handlers may require an optional time delay relay (**58M81**) for field installation. See furnace or air handler specifications to determine if relay is needed.

Also see Expansion Valve Kit Usage Table.

AHRI SYSTEM MATCHES - NORTH / SOUTH REGIONS - S036

NOTE - For the latest up-to-date system matches please visit the AHRI web site at <http://www.ahridirectory.org>

Model No.	Expansion Device	Capacity	SEER	EER	Coil or Air Handler	Furnace	AHRI Reference
EL16XC1S036-230B	TXV	34,600	15.00	12.50	CBX32M-048		9125782
EL16XC1S036-230B	TXV	34,200	15.10	12.50	CBX32MV-036		9125783
EL16XC1S036-230B	TXV	35,200	16.00	13.00	CBX32MV-048		9125784
EL16XC1S036-230B	TXV	34,400	15.50	12.50	CBX40UHV-036		9125785
EL16XC1S036-230B	TXV	35,000	16.00	13.00	CBX40UHV-042		9125786
EL16XC1S036-230B	TXV	35,200	16.00	13.00	CBX40UHV-048		9125787
EL16XC1S036-230B	TXV	33,600	15.10	12.50	CH23-41	EL180UH045E36A	9125788
EL16XC1S036-230B	TXV	33,600	15.10	12.50	CH23-41	EL180UH045XE36A	9125789
EL16XC1S036-230B	TXV	33,800	15.50	12.50	CH23-41	EL180UH070E36B	9125790
EL16XC1S036-230B	TXV	33,800	15.50	12.50	CH23-41	EL180UH070XE36B	9125791
EL16XC1S036-230B	TXV	33,800	15.50	12.50	CH23-41	EL180UH090E48B	9125792
EL16XC1S036-230B	TXV	33,800	15.50	12.50	CH23-41	EL180UH090XE48B	9125793
EL16XC1S036-230B	TXV	33,400	15.10	12.50	CH23-41	EL195UH045XE36B	9125794
EL16XC1S036-230B	TXV	33,600	15.10	12.50	CH23-41	EL195UH070XE36B	9125795
EL16XC1S036-230B	TXV	33,400	15.10	12.50	CH23-41	EL296UH045XE36B	9125796
EL16XC1S036-230B	TXV	33,600	15.10	12.50	CH23-41	EL296UH045XV36B	9125797
EL16XC1S036-230B	TXV	33,600	15.10	12.50	CH23-41	EL296UH070XE36B	9125798
EL16XC1S036-230B	TXV	33,600	15.10	12.50	CH23-41	EL296UH070XV36B	9125799
EL16XC1S036-230B	TXV	33,800	15.50	12.50	CH23-41	SL280UH090V48B	9125800
EL16XC1S036-230B	TXV	33,800	15.50	12.50	CH23-41	SL280UH090XV48B	9125801
EL16XC1S036-230B	TXV	33,600	15.10	12.50	CH23-41	SLP98UH070XV36B	9125802
EL16XC1S036-230B	TXV	33,600	15.10	12.20	CH23-51	EL180UH045E36A	9125803
EL16XC1S036-230B	TXV	33,600	15.10	12.20	CH23-51	EL180UH045XE36A	9125804
EL16XC1S036-230B	TXV	33,800	16.00	13.00	CH23-51	EL180UH070E36B	9125805
EL16XC1S036-230B	TXV	33,800	16.00	13.00	CH23-51	EL180UH070XE36B	9125806
EL16XC1S036-230B	TXV	34,200	15.50	12.50	CH23-51	EL180UH090E48B	9125807
EL16XC1S036-230B	TXV	34,000	15.50	12.50	CH23-51	EL180UH090E60C	9125808
EL16XC1S036-230B	TXV	34,200	15.50	12.50	CH23-51	EL180UH090XE48B	9125809
EL16XC1S036-230B	TXV	34,000	16.00	13.00	CH23-51	EL180UH110E60C	9125810
EL16XC1S036-230B	TXV	34,000	16.00	13.00	CH23-51	EL180UH110XE60C	9125811
EL16XC1S036-230B	TXV	33,400	15.10	12.50	CH23-51	EL195UH045XE36B	9125812
EL16XC1S036-230B	TXV	33,600	15.10	12.50	CH23-51	EL195UH070XE36B	9125813
EL16XC1S036-230B	TXV	34,000	15.50	12.50	CH23-51	EL195UH090XE48C	9125814
EL16XC1S036-230B	TXV	34,000	15.50	12.50	CH23-51	EL195UH110XE60C	9125815
EL16XC1S036-230B	TXV	33,400	15.10	12.50	CH23-51	EL296UH045XE36B	9125816
EL16XC1S036-230B	TXV	33,600	15.10	12.50	CH23-51	EL296UH045XV36B	9125817
EL16XC1S036-230B	TXV	33,600	15.10	12.50	CH23-51	EL296UH070XE36B	9125818
EL16XC1S036-230B	TXV	33,600	15.10	12.50	CH23-51	EL296UH070XV36B	9125819
EL16XC1S036-230B	TXV	34,000	15.50	12.50	CH23-51	EL296UH090XE48C	9125820
EL16XC1S036-230B	TXV	33,800	15.50	12.50	CH23-51	EL296UH090XV36C	9125821
EL16XC1S036-230B	TXV	33,600	15.50	12.50	CH23-51	EL296UH090XV48C	9125822
EL16XC1S036-230B	TXV	34,000	15.50	12.50	CH23-51	EL296UH110XE60C	9125823
EL16XC1S036-230B	TXV	33,800	15.50	12.50	CH23-51	EL296UH110XV48C	9125824
EL16XC1S036-230B	TXV	34,200	15.50	12.50	CH23-51	EL296UH110XV60C	9125825
EL16XC1S036-230B	TXV	33,800	16.00	13.00	CH23-51	SL280UH090V36B	9125826
EL16XC1S036-230B	TXV	33,800	15.50	12.50	CH23-51	SL280UH090V48B	9125827
EL16XC1S036-230B	TXV	33,800	15.50	12.50	CH23-51	SL280UH090XV48B	9125828
EL16XC1S036-230B	TXV	34,000	15.50	12.50	CH23-51	SL280UH110V60C	9125829
EL16XC1S036-230B	TXV	34,000	15.50	12.50	CH23-51	SL280UH110XV60C	9125830

NOTES:

TXV = Matched with Thermostatic Expansion Valve.

RFC = Matched with RFC metering device.

AHRI certified to AHRI Standard 210/240 (with 25 ft. of connecting refrigerant lines); 95°F outdoor air temperature, 80°F db / 67°F wb entering evaporator air.

All ratings include the use of a blower time delay relay (TDR). All Lennox variable-speed furnaces and Air Handlers have time delay capabilities. Other Furnaces and Air Handlers may require an optional time delay relay (**58M81**) for field installation. See furnace or air handler specifications to determine if relay is needed.

Also see Expansion Valve Kit Usage Table.

AHRI SYSTEM MATCHES - NORTH / SOUTH REGIONS - S036

NOTE - For the latest up-to-date system matches please visit the AHRI web site at <http://www.ahridirectory.org>

Model No.	Expansion Device	Capacity	SEER	EER	Coil or Air Handler	Furnace	AHRI Reference
EL16XC1S036-230B	TXV	33,600	15.10	12.50	CH23-51	SLP98UH070XV36B	9125831
EL16XC1S036-230B	TXV	33,800	15.50	12.50	CH23-51	SLP98UH090XV36C	9125832
EL16XC1S036-230B	TXV	33,600	15.50	12.50	CH23-51	SLP98UH090XV48C	9125833
EL16XC1S036-230B	TXV	34,200	15.50	12.50	CH23-51	SLP98UH110XV60C	9125834
EL16XC1S036-230B	TXV	34,400	15.10	12.50	CH33-31A	EL180UH045E36A	9125835
EL16XC1S036-230B	TXV	34,400	15.10	12.50	CH33-31A	EL180UH045XE36A	9125836
EL16XC1S036-230B	TXV	34,600	15.10	12.50	CH33-31A	SL280UH070V36A	9125837
EL16XC1S036-230B	TXV	34,600	15.10	12.50	CH33-31A	SL280UH070XV36A	9125838
EL16XC1S036-230B	TXV	34,600	16.00	13.00	CH33-31B	EL180UH070E36B	9125839
EL16XC1S036-230B	TXV	34,600	16.00	13.00	CH33-31B	EL180UH070XE36B	9125840
EL16XC1S036-230B	TXV	34,800	16.00	13.00	CH33-31B	EL180UH090E48B	9125841
EL16XC1S036-230B	TXV	34,800	16.00	13.00	CH33-31B	EL180UH090XE48B	9125842
EL16XC1S036-230B	TXV	34,600	15.10	12.20	CH33-31B	EL195UH045XE36B	9125843
EL16XC1S036-230B	TXV	34,600	15.50	12.50	CH33-31B	EL195UH070XE36B	9125844
EL16XC1S036-230B	TXV	34,600	15.10	12.20	CH33-31B	EL296UH045XE36B	9125845
EL16XC1S036-230B	TXV	34,800	15.50	12.50	CH33-31B	EL296UH045XV36B	9125846
EL16XC1S036-230B	TXV	34,600	15.50	12.50	CH33-31B	EL296UH070XE36B	9125847
EL16XC1S036-230B	TXV	34,800	15.50	12.50	CH33-31B	EL296UH070XV36B	9125848
EL16XC1S036-230B	TXV	35,000	16.00	13.00	CH33-31B	SL280UH090V36B	9125849
EL16XC1S036-230B	TXV	35,000	16.00	13.00	CH33-31B	SL280UH090V48B	9125850
EL16XC1S036-230B	TXV	35,000	16.00	13.00	CH33-31B	SL280UH090XV48B	9125851
EL16XC1S036-230B	TXV	34,800	15.50	12.50	CH33-31B	SLP98UH070XV36B	9125852
EL16XC1S036-230B	TXV	34,400	14.50	12.20	CH33-31B		9125854
EL16XC1S036-230B	TXV	33,400	14.50	12.20	CH33-36A	EL180UH045E36A	9125855
EL16XC1S036-230B	TXV	33,400	14.50	12.20	CH33-36A	EL180UH045XE36A	9125856
EL16XC1S036-230B	TXV	33,200	14.50	12.00	CH33-36A	SL280UH070V36A	9126445
EL16XC1S036-230B	TXV	33,200	14.50	12.00	CH33-36A	SL280UH070XV36A	9126446
EL16XC1S036-230B	TXV	33,400	15.50	12.50	CH33-36B	EL180UH070E36B	9125857
EL16XC1S036-230B	TXV	33,400	15.50	12.50	CH33-36B	EL180UH070XE36B	9125858
EL16XC1S036-230B	TXV	33,600	15.50	12.50	CH33-36B	EL180UH090E48B	9125859
EL16XC1S036-230B	TXV	33,600	15.50	12.50	CH33-36B	EL180UH090XE48B	9125860
EL16XC1S036-230B	TXV	33,000	14.50	12.20	CH33-36B	EL195UH045XE36B	9125861
EL16XC1S036-230B	TXV	33,200	15.10	12.50	CH33-36B	EL195UH070XE36B	9125862
EL16XC1S036-230B	TXV	33,000	14.50	12.20	CH33-36B	EL296UH045XE36B	9125863
EL16XC1S036-230B	TXV	33,400	14.50	12.20	CH33-36B	EL296UH045XV36B	9125864
EL16XC1S036-230B	TXV	33,200	15.10	12.50	CH33-36B	EL296UH070XE36B	9125865
EL16XC1S036-230B	TXV	33,200	15.10	12.50	CH33-36B	EL296UH070XV36B	9125866
EL16XC1S036-230B	TXV	33,400	15.50	12.50	CH33-36B	SL280UH090V36B	9125867
EL16XC1S036-230B	TXV	33,600	15.50	12.50	CH33-36B	SL280UH090V48B	9125868
EL16XC1S036-230B	TXV	33,600	15.50	12.50	CH33-36B	SL280UH090XV48B	9125869
EL16XC1S036-230B	TXV	33,200	15.10	12.50	CH33-36B	SLP98UH070XV36B	9125870
EL16XC1S036-230B	TXV	34,200	16.00	13.00	CH33-36C	EL180UH090E60C	9125871
EL16XC1S036-230B	TXV	34,000	16.00	13.00	CH33-36C	EL180UH110E60C	9125872
EL16XC1S036-230B	TXV	34,000	16.00	13.00	CH33-36C	EL180UH110XE60C	9125873
EL16XC1S036-230B	TXV	34,000	15.50	12.50	CH33-36C	EL195UH090XE48C	9125874
EL16XC1S036-230B	TXV	34,200	15.50	12.50	CH33-36C	EL195UH110XE60C	9125875
EL16XC1S036-230B	TXV	34,000	15.50	12.50	CH33-36C	EL296UH090XE48C	9125876
EL16XC1S036-230B	TXV	34,000	15.50	12.50	CH33-36C	EL296UH090XV36C	9125877
EL16XC1S036-230B	TXV	34,000	15.50	12.50	CH33-36C	EL296UH090XV48C	9125878

NOTES:

TXV = Matched with Thermostatic Expansion Valve.

RFC = Matched with RFC metering device.

AHRI certified to AHRI Standard 210/240 (with 25 ft. of connecting refrigerant lines); 95°F outdoor air temperature, 80°F db / 67°F wb entering evaporator air. All ratings include the use of a blower time delay relay (TDR). All Lennox variable-speed furnaces and Air Handlers have time delay capabilities. Other Furnaces and Air Handlers may require an optional time delay relay (**58M81**) for field installation. See furnace or air handler specifications to determine if relay is needed.

Also see Expansion Valve Kit Usage Table.

AHRI SYSTEM MATCHES - NORTH / SOUTH REGIONS - S036

NOTE - For the latest up-to-date system matches please visit the AHRI web site at <http://www.ahridirectory.org>

Model No.	Expansion Device	Capacity	SEER	EER	Coil or Air Handler	Furnace	AHRI Reference
EL16XC1S036-230B	TXV	34,200	15.50	12.50	CH33-36C	EL296UH110XE60C	9125879
EL16XC1S036-230B	TXV	34,000	15.50	12.50	CH33-36C	EL296UH110XV48C	9125880
EL16XC1S036-230B	TXV	34,400	15.50	12.50	CH33-36C	EL296UH110XV60C	9125881
EL16XC1S036-230B	TXV	34,400	15.50	12.50	CH33-36C	SL280UH110V60C	9125882
EL16XC1S036-230B	TXV	34,400	15.50	12.50	CH33-36C	SL280UH110XV60C	9125883
EL16XC1S036-230B	TXV	34,000	15.50	12.50	CH33-36C	SLP98UH090XV36C	9125884
EL16XC1S036-230B	TXV	34,000	15.50	12.50	CH33-36C	SLP98UH090XV48C	9125885
EL16XC1S036-230B	TXV	34,400	15.50	12.50	CH33-36C	SLP98UH110XV60C	9125886
EL16XC1S036-230B	TXV	34,200	16.00	13.00	CH33-42B	EL180UH070E36B	9125887
EL16XC1S036-230B	TXV	34,200	16.00	13.00	CH33-42B	EL180UH070XE36B	9125888
EL16XC1S036-230B	TXV	34,400	15.50	12.50	CH33-42B	EL180UH090E48B	9125889
EL16XC1S036-230B	TXV	34,400	15.50	12.50	CH33-42B	EL180UH090XE48B	9125890
EL16XC1S036-230B	TXV	34,200	14.50	12.20	CH33-42B	EL195UH045XE36B	9125891
EL16XC1S036-230B	TXV	34,000	15.10	12.50	CH33-42B	EL195UH070XE36B	9125892
EL16XC1S036-230B	TXV	34,200	14.50	12.20	CH33-42B	EL296UH045XE36B	9125893
EL16XC1S036-230B	TXV	34,400	15.10	12.50	CH33-42B	EL296UH045XV36B	9125894
EL16XC1S036-230B	TXV	34,000	15.10	12.50	CH33-42B	EL296UH070XE36B	9125895
EL16XC1S036-230B	TXV	34,400	15.10	12.50	CH33-42B	EL296UH070XV36B	9125896
EL16XC1S036-230B	TXV	34,600	16.00	13.00	CH33-42B	SL280UH090V36B	9125897
EL16XC1S036-230B	TXV	34,600	15.50	12.50	CH33-42B	SL280UH090V48B	9125898
EL16XC1S036-230B	TXV	34,600	15.50	12.50	CH33-42B	SL280UH090XV48B	9125899
EL16XC1S036-230B	TXV	34,400	15.10	12.50	CH33-42B	SLP98UH070XV36B	9125900
EL16XC1S036-230B	TXV	35,600	16.00	13.00	CH33-43B	EL180UH070E36B	9125901
EL16XC1S036-230B	TXV	35,600	16.00	13.00	CH33-43B	EL180UH070XE36B	9125902
EL16XC1S036-230B	TXV	35,800	16.00	13.00	CH33-43B	EL180UH090E48B	9125903
EL16XC1S036-230B	TXV	35,800	16.00	13.00	CH33-43B	EL180UH090XE48B	9125904
EL16XC1S036-230B	TXV	35,600	15.50	12.50	CH33-43B	EL195UH045XE36B	9125905
EL16XC1S036-230B	TXV	35,400	16.00	13.00	CH33-43B	EL195UH070XE36B	9125906
EL16XC1S036-230B	TXV	35,600	15.50	12.50	CH33-43B	EL296UH045XE36B	9125907
EL16XC1S036-230B	TXV	35,800	16.00	13.00	CH33-43B	EL296UH045XV36B	9125908
EL16XC1S036-230B	TXV	35,400	16.00	13.00	CH33-43B	EL296UH070XE36B	9125909
EL16XC1S036-230B	TXV	35,800	16.00	13.00	CH33-43B	EL296UH070XV36B	9125910
EL16XC1S036-230B	TXV	36,000	16.00	13.00	CH33-43B	SL280UH090V36B	9125911
EL16XC1S036-230B	TXV	36,000	16.00	13.00	CH33-43B	SL280UH090V48B	9125912
EL16XC1S036-230B	TXV	36,000	16.00	13.00	CH33-43B	SL280UH090XV48B	9125913
EL16XC1S036-230B	TXV	35,800	16.00	13.00	CH33-43B	SLP98UH070XV36B	9125914
EL16XC1S036-230B	TXV	35,400	15.10	12.50	CH33-43B		9125916
EL16XC1S036-230B	TXV	35,600	16.00	13.00	CH33-43C	EL180UH090E60C	9125917
EL16XC1S036-230B	TXV	35,400	16.00	13.00	CH33-43C	EL180UH110E60C	9125918
EL16XC1S036-230B	TXV	35,400	16.00	13.00	CH33-43C	EL180UH110XE60C	9125919
EL16XC1S036-230B	TXV	35,400	16.00	13.00	CH33-43C	EL195UH090XE48C	9125920
EL16XC1S036-230B	TXV	35,600	16.00	13.00	CH33-43C	EL195UH110XE60C	9125921
EL16XC1S036-230B	TXV	35,400	16.00	13.00	CH33-43C	EL296UH090XE48C	9125922
EL16XC1S036-230B	TXV	35,400	16.00	13.00	CH33-43C	EL296UH090XV36C	9125923
EL16XC1S036-230B	TXV	35,200	16.00	13.00	CH33-43C	EL296UH090XV48C	9125924
EL16XC1S036-230B	TXV	35,600	16.00	13.00	CH33-43C	EL296UH110XE60C	9125925
EL16XC1S036-230B	TXV	35,400	16.00	13.00	CH33-43C	EL296UH110XV48C	9125926
EL16XC1S036-230B	TXV	35,800	16.00	13.00	CH33-43C	EL296UH110XV60C	9125927
EL16XC1S036-230B	TXV	35,800	16.00	13.00	CH33-43C	SL280UH090V60C	9125928

NOTES:

TXV = Matched with Thermostatic Expansion Valve.

RFC = Matched with RFC metering device.

AHRI certified to AHRI Standard 210/240 (with 25 ft. of connecting refrigerant lines); 95°F outdoor air temperature, 80°F db / 67°F wb entering evaporator air.

All ratings include the use of a blower time delay relay (TDR). All Lennox variable-speed furnaces and Air Handlers have time delay capabilities. Other Furnaces and Air Handlers may require an optional time delay relay (**58M81**) for field installation. See furnace or air handler specifications to determine if relay is needed.

Also see Expansion Valve Kit Usage Table.

AHRI SYSTEM MATCHES - NORTH / SOUTH REGIONS - S036

NOTE - For the latest up-to-date system matches please visit the AHRI web site at <http://www.ahridirectory.org>

Model No.	Expansion Device	Capacity	SEER	EER	Coil or Air Handler	Furnace	AHRI Reference
EL16XC1S036-230B	TXV	35,800	16.00	13.00	CH33-43C	SL280UH090XV60C	9125929
EL16XC1S036-230B	TXV	35,600	16.00	13.00	CH33-43C	SL280UH110V60C	9125930
EL16XC1S036-230B	TXV	35,600	16.00	13.00	CH33-43C	SL280UH110XV60C	9125931
EL16XC1S036-230B	TXV	35,400	16.00	13.00	CH33-43C	SLP98UH090XV36C	9125932
EL16XC1S036-230B	TXV	35,200	16.00	13.00	CH33-43C	SLP98UH090XV48C	9125933
EL16XC1S036-230B	TXV	35,800	16.00	13.00	CH33-43C	SLP98UH110XV60C	9125934
EL16XC1S036-230B	TXV	34,600	16.00	13.00	CH33-44/48B	EL180UH070E36B	9125935
EL16XC1S036-230B	TXV	34,600	16.00	13.00	CH33-44/48B	EL180UH070XE36B	9125936
EL16XC1S036-230B	TXV	35,000	16.00	13.00	CH33-44/48B	EL180UH090E48B	9125937
EL16XC1S036-230B	TXV	35,000	16.00	13.00	CH33-44/48B	EL180UH090XE48B	9125938
EL16XC1S036-230B	TXV	34,800	15.10	12.50	CH33-44/48B	EL195UH045XE36B	9125939
EL16XC1S036-230B	TXV	34,800	15.10	12.50	CH33-44/48B	EL195UH070XE36B	9125940
EL16XC1S036-230B	TXV	34,800	15.10	12.50	CH33-44/48B	EL296UH045XE36B	9125941
EL16XC1S036-230B	TXV	34,800	15.50	12.50	CH33-44/48B	EL296UH045XV36B	9125942
EL16XC1S036-230B	TXV	34,800	15.10	12.50	CH33-44/48B	EL296UH070XE36B	9125943
EL16XC1S036-230B	TXV	35,000	15.50	12.50	CH33-44/48B	EL296UH070XV36B	9125944
EL16XC1S036-230B	TXV	35,000	16.00	13.00	CH33-44/48B	SL280UH090V36B	9125945
EL16XC1S036-230B	TXV	35,000	16.00	13.00	CH33-44/48B	SL280UH090V48B	9125946
EL16XC1S036-230B	TXV	35,000	16.00	13.00	CH33-44/48B	SL280UH090XV48B	9125947
EL16XC1S036-230B	TXV	35,000	15.50	12.50	CH33-44/48B	SLP98UH070XV36B	9125948
EL16XC1S036-230B	TXV	34,600	14.50	12.20	CH33-44/48B		9125950
EL16XC1S036-230B	TXV	35,400	16.00	13.00	CH33-48C	EL180UH090E60C	9125951
EL16XC1S036-230B	TXV	35,200	16.00	13.00	CH33-48C	EL180UH110E60C	9125952
EL16XC1S036-230B	TXV	35,200	16.00	13.00	CH33-48C	EL180UH110XE60C	9125953
EL16XC1S036-230B	TXV	35,200	16.00	13.00	CH33-48C	EL195UH090XE48C	9125954
EL16XC1S036-230B	TXV	35,400	16.00	13.00	CH33-48C	EL195UH110XE60C	9125955
EL16XC1S036-230B	TXV	35,200	16.00	13.00	CH33-48C	EL296UH090XE48C	9125956
EL16XC1S036-230B	TXV	35,200	16.00	13.00	CH33-48C	EL296UH090XV36C	9125957
EL16XC1S036-230B	TXV	35,000	16.00	13.00	CH33-48C	EL296UH090XV48C	9125958
EL16XC1S036-230B	TXV	35,400	16.00	13.00	CH33-48C	EL296UH110XE60C	9125959
EL16XC1S036-230B	TXV	35,200	16.00	13.00	CH33-48C	EL296UH110XV48C	9125960
EL16XC1S036-230B	TXV	35,600	16.00	13.00	CH33-48C	EL296UH110XV60C	9125961
EL16XC1S036-230B	TXV	35,600	16.00	13.00	CH33-48C	SL280UH090V60C	9125962
EL16XC1S036-230B	TXV	35,600	16.00	13.00	CH33-48C	SL280UH090XV60C	9125963
EL16XC1S036-230B	TXV	35,400	16.00	13.00	CH33-48C	SL280UH110V60C	9125964
EL16XC1S036-230B	TXV	35,400	16.00	13.00	CH33-48C	SL280UH110XV60C	9125965
EL16XC1S036-230B	TXV	35,200	16.00	13.00	CH33-48C	SLP98UH090XV36C	9125966
EL16XC1S036-230B	TXV	35,000	16.00	13.00	CH33-48C	SLP98UH090XV48C	9125967
EL16XC1S036-230B	TXV	35,600	16.00	13.00	CH33-48C	SLP98UH110XV60C	9125968
EL16XC1S036-230B	TXV	34,600	14.50	12.20	CH33-48C		9125970
EL16XC1S036-230B	TXV	36,000	16.00	13.00	CH33-49	EL180UH090E60C	9125971
EL16XC1S036-230B	TXV	35,800	16.00	13.00	CH33-49	EL180UH110E60C	9125972
EL16XC1S036-230B	TXV	35,800	16.00	13.00	CH33-49	EL180UH110XE60C	9125973
EL16XC1S036-230B	TXV	35,800	16.00	13.00	CH33-49	EL195UH090XE48C	9125974
EL16XC1S036-230B	TXV	36,000	16.00	13.00	CH33-49	EL195UH110XE60C	9125975
EL16XC1S036-230B	TXV	35,800	16.00	13.00	CH33-49	EL296UH090XE48C	9125976
EL16XC1S036-230B	TXV	35,800	16.00	13.00	CH33-49	EL296UH090XV36C	9125977
EL16XC1S036-230B	TXV	35,600	16.00	13.00	CH33-49	EL296UH090XV48C	9125978
EL16XC1S036-230B	TXV	36,000	16.00	13.00	CH33-49	EL296UH110XE60C	9125979

NOTES:

TXV = Matched with Thermostatic Expansion Valve.

RFC = Matched with RFC metering device.

AHRI certified to AHRI Standard 210/240 (with 25 ft. of connecting refrigerant lines); 95°F outdoor air temperature, 80°F db / 67°F wb entering evaporator air.

All ratings include the use of a blower time delay relay (TDR). All Lennox variable-speed furnaces and Air Handlers have time delay capabilities. Other Furnaces and Air Handlers may require an optional time delay relay (**58M81**) for field installation. See furnace or air handler specifications to determine if relay is needed.

Also see Expansion Valve Kit Usage Table.

AHRI SYSTEM MATCHES - NORTH / SOUTH REGIONS - S036

NOTE - For the latest up-to-date system matches please visit the AHRI web site at <http://www.ahridirectory.org>

Model No.	Expansion Device	Capacity	SEER	EER	Coil or Air Handler	Furnace	AHRI Reference
EL16XC1S036-230B	TXV	36,000	16.00	13.00	CH33-49	EL296UH110XV48C	9125980
EL16XC1S036-230B	TXV	36,000	16.00	13.00	CH33-49	EL296UH110XV60C	9125981
EL16XC1S036-230B	TXV	36,000	16.00	13.00	CH33-49	SL280UH090V60C	9125982
EL16XC1S036-230B	TXV	36,000	16.00	13.00	CH33-49	SL280UH090XV60C	9125983
EL16XC1S036-230B	TXV	36,000	16.00	13.00	CH33-49	SL280UH110V60C	9125984
EL16XC1S036-230B	TXV	36,000	16.00	13.00	CH33-49	SL280UH110XV60C	9125985
EL16XC1S036-230B	TXV	35,800	16.00	13.00	CH33-49	SLP98UH090XV36C	9125986
EL16XC1S036-230B	TXV	35,600	16.00	13.00	CH33-49	SLP98UH090XV48C	9125987
EL16XC1S036-230B	TXV	36,000	16.00	13.00	CH33-49	SLP98UH110XV60C	9125988
EL16XC1S036-230B	TXV	35,200	15.10	12.20	CH33-49		9125990
EL16XC1S036-230B	TXV	35,800	16.00	13.00	CH33-50/60C	EL180UH090E60C	9125991
EL16XC1S036-230B	TXV	35,600	16.00	13.00	CH33-50/60C	EL180UH110E60C	9125992
EL16XC1S036-230B	TXV	35,600	16.00	13.00	CH33-50/60C	EL180UH110XE60C	9125993
EL16XC1S036-230B	TXV	35,600	16.00	13.00	CH33-50/60C	EL195UH090XE48C	9125994
EL16XC1S036-230B	TXV	35,800	16.00	13.00	CH33-50/60C	EL195UH110XE60C	9125995
EL16XC1S036-230B	TXV	35,600	16.00	13.00	CH33-50/60C	EL296UH090XE48C	9125996
EL16XC1S036-230B	TXV	35,600	16.00	13.00	CH33-50/60C	EL296UH090XV36C	9125997
EL16XC1S036-230B	TXV	35,400	16.00	13.00	CH33-50/60C	EL296UH090XV48C	9125998
EL16XC1S036-230B	TXV	35,800	16.00	13.00	CH33-50/60C	EL296UH110XE60C	9125999
EL16XC1S036-230B	TXV	35,600	16.00	13.00	CH33-50/60C	EL296UH110XV48C	9126000
EL16XC1S036-230B	TXV	36,000	16.00	13.00	CH33-50/60C	EL296UH110XV60C	9126001
EL16XC1S036-230B	TXV	36,000	16.00	13.00	CH33-50/60C	SL280UH090V60C	9126002
EL16XC1S036-230B	TXV	36,000	16.00	13.00	CH33-50/60C	SL280UH090XV60C	9126003
EL16XC1S036-230B	TXV	36,000	16.00	13.00	CH33-50/60C	SL280UH110V60C	9126004
EL16XC1S036-230B	TXV	36,000	16.00	13.00	CH33-50/60C	SL280UH110XV60C	9126005
EL16XC1S036-230B	TXV	35,600	16.00	13.00	CH33-50/60C	SLP98UH090XV36C	9126006
EL16XC1S036-230B	TXV	35,400	16.00	13.00	CH33-50/60C	SLP98UH090XV48C	9126007
EL16XC1S036-230B	TXV	36,000	16.00	13.00	CH33-50/60C	SLP98UH110XV60C	9126008
EL16XC1S036-230B	TXV	35,000	14.50	12.20	CH33-50/60C		9126010
EL16XC1S036-230B	TXV	34,600	15.10	12.50	CH35-30A	EL180UH045E36A	9126011
EL16XC1S036-230B	TXV	34,600	15.10	12.50	CH35-30A	EL180UH045XE36A	9126012
EL16XC1S036-230B	TXV	34,600	15.10	12.50	CH35-30A	SL280UH070V36A	9126013
EL16XC1S036-230B	TXV	34,600	15.10	12.50	CH35-30A	SL280UH070XV36A	9126014
EL16XC1S036-230B	TXV	35,200	15.50	12.50	CH35-30B	EL180UH070E36B	9126015
EL16XC1S036-230B	TXV	35,200	15.50	12.50	CH35-30B	EL180UH070XE36B	9126016
EL16XC1S036-230B	TXV	35,000	16.00	13.00	CH35-30B	EL180UH090E48B	9126017
EL16XC1S036-230B	TXV	35,000	16.00	13.00	CH35-30B	EL180UH090XE48B	9126018
EL16XC1S036-230B	TXV	34,800	15.10	12.50	CH35-30B	EL195UH045XE36B	9126019
EL16XC1S036-230B	TXV	34,800	15.10	12.50	CH35-30B	EL195UH070XE36B	9126020
EL16XC1S036-230B	TXV	34,800	15.10	12.50	CH35-30B	EL296UH045XE36B	9126021
EL16XC1S036-230B	TXV	35,000	15.50	12.50	CH35-30B	EL296UH045XV36B	9126022
EL16XC1S036-230B	TXV	34,800	15.10	12.50	CH35-30B	EL296UH070XE36B	9126023
EL16XC1S036-230B	TXV	35,000	15.50	12.50	CH35-30B	EL296UH070XV36B	9126024
EL16XC1S036-230B	TXV	35,200	16.00	13.00	CH35-30B	SL280UH090V36B	9126025
EL16XC1S036-230B	TXV	35,200	16.00	13.00	CH35-30B	SL280UH090V48B	9126026
EL16XC1S036-230B	TXV	35,200	16.00	13.00	CH35-30B	SL280UH090XV48B	9126027
EL16XC1S036-230B	TXV	35,000	15.50	12.50	CH35-30B	SLP98UH070XV36B	9126028
EL16XC1S036-230B	TXV	34,600	14.50	12.20	CH35-30B		9126029
EL16XC1S036-230B	TXV	33,200	14.50	12.20	CH35-36A	EL180UH045E36A	9126030

NOTES:

TXV = Matched with Thermostatic Expansion Valve.

RFC = Matched with RFC metering device.

AHRI certified to AHRI Standard 210/240 (with 25 ft. of connecting refrigerant lines); 95°F outdoor air temperature, 80°F db / 67°F wb entering evaporator air.

All ratings include the use of a blower time delay relay (TDR). All Lennox variable-speed furnaces and Air Handlers have time delay capabilities. Other Furnaces and Air Handlers may require an optional time delay relay (**58M81**) for field installation. See furnace or air handler specifications to determine if relay is needed.

Also see Expansion Valve Kit Usage Table.

AHRI SYSTEM MATCHES - NORTH / SOUTH REGIONS - S036

NOTE - For the latest up-to-date system matches please visit the AHRI web site at <http://www.ahridirectory.org>

Model No.	Expansion Device	Capacity	SEER	EER	Coil or Air Handler	Furnace	AHRI Reference
EL16XC1S036-230B	TXV	33,200	14.50	12.20	CH35-36A	EL180UH045XE36A	9126031
EL16XC1S036-230B	TXV	33,400	14.50	12.20	CH35-36A	SL280UH070V36A	9126032
EL16XC1S036-230B	TXV	33,400	14.50	12.20	CH35-36A	SL280UH070XV36A	9126033
EL16XC1S036-230B	TXV	33,600	15.50	12.50	CH35-36B	EL180UH070E36B	9126034
EL16XC1S036-230B	TXV	33,600	15.50	12.50	CH35-36B	EL180UH070XE36B	9126035
EL16XC1S036-230B	TXV	33,600	15.10	12.50	CH35-36B	EL180UH090E48B	9126036
EL16XC1S036-230B	TXV	33,600	15.10	12.50	CH35-36B	EL180UH090XE48B	9126037
EL16XC1S036-230B	TXV	33,000	15.10	12.20	CH35-36B	EL195UH045XE36B	9126038
EL16XC1S036-230B	TXV	33,200	14.50	12.00	CH35-36B	EL195UH070XE36B	9126447
EL16XC1S036-230B	TXV	33,000	15.10	12.20	CH35-36B	EL296UH045XE36B	9126039
EL16XC1S036-230B	TXV	33,200	15.10	12.20	CH35-36B	EL296UH045XV36B	9126040
EL16XC1S036-230B	TXV	33,200	14.50	12.00	CH35-36B	EL296UH070XE36B	9126448
EL16XC1S036-230B	TXV	33,200	15.10	12.50	CH35-36B	EL296UH070XV36B	9126041
EL16XC1S036-230B	TXV	33,600	15.50	12.50	CH35-36B	SL280UH090V36B	9126042
EL16XC1S036-230B	TXV	33,600	15.50	12.50	CH35-36B	SL280UH090V48B	9126043
EL16XC1S036-230B	TXV	33,600	15.50	12.50	CH35-36B	SL280UH090XV48B	9126044
EL16XC1S036-230B	TXV	33,200	15.10	12.50	CH35-36B	SLP98UH070XV36B	9126045
EL16XC1S036-230B	TXV	34,400	16.00	13.00	CH35-36C	EL180UH090E60C	9126046
EL16XC1S036-230B	TXV	34,200	16.00	13.00	CH35-36C	EL180UH110E60C	9126047
EL16XC1S036-230B	TXV	34,200	16.00	13.00	CH35-36C	EL180UH110XE60C	9126048
EL16XC1S036-230B	TXV	34,200	15.50	12.50	CH35-36C	EL195UH090XE48C	9126049
EL16XC1S036-230B	TXV	34,400	15.50	12.50	CH35-36C	EL195UH110XE60C	9126050
EL16XC1S036-230B	TXV	34,200	15.50	12.50	CH35-36C	EL296UH090XE48C	9126051
EL16XC1S036-230B	TXV	34,200	15.50	12.50	CH35-36C	EL296UH090XV36C	9126052
EL16XC1S036-230B	TXV	34,000	15.50	12.50	CH35-36C	EL296UH090XV48C	9126053
EL16XC1S036-230B	TXV	34,400	15.50	12.50	CH35-36C	EL296UH110XE60C	9126054
EL16XC1S036-230B	TXV	34,200	16.00	13.00	CH35-36C	EL296UH110XV48C	9126055
EL16XC1S036-230B	TXV	34,400	16.00	13.00	CH35-36C	EL296UH110XV60C	9126056
EL16XC1S036-230B	TXV	34,600	16.00	13.00	CH35-36C	SL280UH090V60C	9126057
EL16XC1S036-230B	TXV	34,600	16.00	13.00	CH35-36C	SL280UH090XV60C	9126058
EL16XC1S036-230B	TXV	34,400	15.50	12.50	CH35-36C	SL280UH110V60C	9126059
EL16XC1S036-230B	TXV	34,400	15.50	12.50	CH35-36C	SL280UH110XV60C	9126060
EL16XC1S036-230B	TXV	34,200	15.50	12.50	CH35-36C	SLP98UH090XV36C	9126061
EL16XC1S036-230B	TXV	34,000	15.50	12.50	CH35-36C	SLP98UH090XV48C	9126062
EL16XC1S036-230B	TXV	34,400	16.00	13.00	CH35-36C	SLP98UH110XV60C	9126063
EL16XC1S036-230B	TXV	36,000	16.00	13.00	CH35-42B	EL180UH070E36B	9126064
EL16XC1S036-230B	TXV	36,000	16.00	13.00	CH35-42B	EL180UH070XE36B	9126065
EL16XC1S036-230B	TXV	35,800	16.00	13.00	CH35-42B	EL180UH090E48B	9126066
EL16XC1S036-230B	TXV	35,800	16.00	13.00	CH35-42B	EL180UH090XE48B	9126067
EL16XC1S036-230B	TXV	35,600	15.50	12.50	CH35-42B	EL195UH045XE36B	9126068
EL16XC1S036-230B	TXV	35,600	15.50	12.50	CH35-42B	EL195UH070XE36B	9126069
EL16XC1S036-230B	TXV	35,600	15.50	12.50	CH35-42B	EL296UH045XE36B	9126070
EL16XC1S036-230B	TXV	35,800	16.00	13.00	CH35-42B	EL296UH045XV36B	9126071
EL16XC1S036-230B	TXV	35,600	15.50	12.50	CH35-42B	EL296UH070XE36B	9126072
EL16XC1S036-230B	TXV	35,800	16.00	13.00	CH35-42B	EL296UH070XV36B	9126073
EL16XC1S036-230B	TXV	36,000	16.00	13.00	CH35-42B	SL280UH090V36B	9126074
EL16XC1S036-230B	TXV	36,000	16.00	13.00	CH35-42B	SL280UH090V48B	9126075
EL16XC1S036-230B	TXV	36,000	16.00	13.00	CH35-42B	SL280UH090XV48B	9126076
EL16XC1S036-230B	TXV	35,800	16.00	13.00	CH35-42B	SLP98UH070XV36B	9126077

NOTES:

TXV = Matched with Thermostatic Expansion Valve.

RFC = Matched with RFC metering device.

AHRI certified to AHRI Standard 210/240 (with 25 ft. of connecting refrigerant lines); 95°F outdoor air temperature, 80°F db / 67°F wb entering evaporator air.

All ratings include the use of a blower time delay relay (TDR). All Lennox variable-speed furnaces and Air Handlers have time delay capabilities. Other Furnaces and Air Handlers may require an optional time delay relay (**58M81**) for field installation. See furnace or air handler specifications to determine if relay is needed.

Also see Expansion Valve Kit Usage Table.

AHRI SYSTEM MATCHES - NORTH / SOUTH REGIONS - S036

NOTE - For the latest up-to-date system matches please visit the AHRI web site at <http://www.ahridirectory.org>

Model No.	Expansion Device	Capacity	SEER	EER	Coil or Air Handler	Furnace	AHRI Reference
EL16XC1S036-230B	TXV	35,400	15.10	12.50	CH35-42B		9126078
EL16XC1S036-230B	TXV	35,800	16.00	13.00	CH35-42C	EL180UH090E60C	9126079
EL16XC1S036-230B	TXV	35,400	16.00	13.00	CH35-42C	EL180UH110E60C	9126080
EL16XC1S036-230B	TXV	35,400	16.00	13.00	CH35-42C	EL180UH110XE60C	9126081
EL16XC1S036-230B	TXV	35,400	16.00	13.00	CH35-42C	EL195UH090XE48C	9126082
EL16XC1S036-230B	TXV	35,600	16.00	13.00	CH35-42C	EL195UH110XE60C	9126083
EL16XC1S036-230B	TXV	35,400	16.00	13.00	CH35-42C	EL296UH090XE48C	9126084
EL16XC1S036-230B	TXV	35,600	16.00	13.00	CH35-42C	EL296UH090XV36C	9126085
EL16XC1S036-230B	TXV	35,400	16.00	13.00	CH35-42C	EL296UH090XV48C	9126086
EL16XC1S036-230B	TXV	35,600	16.00	13.00	CH35-42C	EL296UH110XE60C	9126087
EL16XC1S036-230B	TXV	35,600	16.00	13.00	CH35-42C	EL296UH110XV48C	9126088
EL16XC1S036-230B	TXV	35,800	16.00	13.00	CH35-42C	EL296UH110XV60C	9126089
EL16XC1S036-230B	TXV	36,000	16.00	13.00	CH35-42C	SL280UH090V60C	9126090
EL16XC1S036-230B	TXV	36,000	16.00	13.00	CH35-42C	SL280UH090XV60C	9126091
EL16XC1S036-230B	TXV	35,800	16.00	13.00	CH35-42C	SL280UH110V60C	9126092
EL16XC1S036-230B	TXV	35,800	16.00	13.00	CH35-42C	SL280UH110XV60C	9126093
EL16XC1S036-230B	TXV	35,600	16.00	13.00	CH35-42C	SLP98UH090XV36C	9126094
EL16XC1S036-230B	TXV	35,400	16.00	13.00	CH35-42C	SLP98UH090XV48C	9126095
EL16XC1S036-230B	TXV	35,800	16.00	13.00	CH35-42C	SLP98UH110XV60C	9126096
EL16XC1S036-230B	TXV	35,000	14.50	12.20	CH35-42C		9126097
EL16XC1S036-230B	TXV	35,200	15.50	12.50	CH35-48B	EL180UH070E36B	9126098
EL16XC1S036-230B	TXV	35,200	15.50	12.50	CH35-48B	EL180UH070XE36B	9126099
EL16XC1S036-230B	TXV	35,000	16.00	13.00	CH35-48B	EL180UH090E48B	9126100
EL16XC1S036-230B	TXV	35,000	16.00	13.00	CH35-48B	EL180UH090XE48B	9126101
EL16XC1S036-230B	TXV	35,000	15.10	12.50	CH35-48B	EL195UH045XE36B	9126102
EL16XC1S036-230B	TXV	35,000	15.10	12.50	CH35-48B	EL195UH070XE36B	9126103
EL16XC1S036-230B	TXV	35,000	15.10	12.50	CH35-48B	EL296UH045XE36B	9126104
EL16XC1S036-230B	TXV	35,000	15.50	12.50	CH35-48B	EL296UH045XV36B	9126105
EL16XC1S036-230B	TXV	35,000	15.10	12.50	CH35-48B	EL296UH070XE36B	9126106
EL16XC1S036-230B	TXV	35,200	15.50	12.50	CH35-48B	EL296UH070XV36B	9126107
EL16XC1S036-230B	TXV	35,200	16.00	13.00	CH35-48B	SL280UH090V36B	9126108
EL16XC1S036-230B	TXV	35,200	16.00	13.00	CH35-48B	SL280UH090V48B	9126109
EL16XC1S036-230B	TXV	35,200	16.00	13.00	CH35-48B	SL280UH090XV48B	9126110
EL16XC1S036-230B	TXV	35,200	15.50	12.50	CH35-48B	SLP98UH070XV36B	9126111
EL16XC1S036-230B	TXV	34,800	14.50	12.20	CH35-48B		9126112
EL16XC1S036-230B	TXV	35,600	16.00	13.00	CH35-48C	EL180UH090E60C	9126113
EL16XC1S036-230B	TXV	35,200	16.00	13.00	CH35-48C	EL180UH110E60C	9126114
EL16XC1S036-230B	TXV	35,200	16.00	13.00	CH35-48C	EL180UH110XE60C	9126115
EL16XC1S036-230B	TXV	35,200	16.00	13.00	CH35-48C	EL195UH090XE48C	9126116
EL16XC1S036-230B	TXV	35,600	16.00	13.00	CH35-48C	EL195UH110XE60C	9126117
EL16XC1S036-230B	TXV	35,200	16.00	13.00	CH35-48C	EL296UH090XE48C	9126118
EL16XC1S036-230B	TXV	35,400	16.00	13.00	CH35-48C	EL296UH090XV36C	9126119
EL16XC1S036-230B	TXV	35,200	16.00	13.00	CH35-48C	EL296UH090XV48C	9126120
EL16XC1S036-230B	TXV	35,600	16.00	13.00	CH35-48C	EL296UH110XE60C	9126121
EL16XC1S036-230B	TXV	35,400	16.00	13.00	CH35-48C	EL296UH110XV48C	9126122
EL16XC1S036-230B	TXV	35,600	16.00	13.00	CH35-48C	EL296UH110XV60C	9126123
EL16XC1S036-230B	TXV	35,800	16.00	13.00	CH35-48C	SL280UH090V60C	9126124
EL16XC1S036-230B	TXV	35,800	16.00	13.00	CH35-48C	SL280UH090XV60C	9126125
EL16XC1S036-230B	TXV	35,600	16.00	13.00	CH35-48C	SL280UH110V60C	9126126

NOTES:

TXV = Matched with Thermostatic Expansion Valve.

RFC = Matched with RFC metering device.

AHRI certified to AHRI Standard 210/240 (with 25 ft. of connecting refrigerant lines); 95°F outdoor air temperature, 80°F db / 67°F wb entering evaporator air.

All ratings include the use of a blower time delay relay (TDR). All Lennox variable-speed furnaces and Air Handlers have time delay capabilities. Other Furnaces and Air Handlers may require an optional time delay relay (**58M81**) for field installation. See furnace or air handler specifications to determine if relay is needed.

Also see Expansion Valve Kit Usage Table.

AHRI SYSTEM MATCHES - NORTH / SOUTH REGIONS - S036

NOTE - For the latest up-to-date system matches please visit the AHRI web site at <http://www.ahridirectory.org>

Model No.	Expansion Device	Capacity	SEER	EER	Coil or Air Handler	Furnace	AHRI Reference
EL16XC1S036-230B	TXV	35,600	16.00	13.00	CH35-48C	SL280UH110XV60C	9126127
EL16XC1S036-230B	TXV	35,400	16.00	13.00	CH35-48C	SLP98UH090XV36C	9126128
EL16XC1S036-230B	TXV	35,200	16.00	13.00	CH35-48C	SLP98UH090XV48C	9126129
EL16XC1S036-230B	TXV	35,600	16.00	13.00	CH35-48C	SLP98UH110XV60C	9126130
EL16XC1S036-230B	TXV	34,800	14.50	12.20	CH35-48C		9126131
EL16XC1S036-230B	TXV	36,000	16.00	13.00	CH35-51C	EL180UH090E60C	9126132
EL16XC1S036-230B	TXV	35,800	16.00	13.00	CH35-51C	EL180UH110E60C	9126133
EL16XC1S036-230B	TXV	35,800	16.00	13.00	CH35-51C	EL180UH110XE60C	9126134
EL16XC1S036-230B	TXV	35,800	16.00	13.00	CH35-51C	EL195UH090XE48C	9126135
EL16XC1S036-230B	TXV	36,000	16.00	13.00	CH35-51C	EL195UH110XE60C	9126136
EL16XC1S036-230B	TXV	35,800	16.00	13.00	CH35-51C	EL296UH090XE48C	9126137
EL16XC1S036-230B	TXV	35,800	16.00	13.00	CH35-51C	EL296UH090XV36C	9126138
EL16XC1S036-230B	TXV	35,800	16.00	13.00	CH35-51C	EL296UH090XV48C	9126139
EL16XC1S036-230B	TXV	36,000	16.00	13.00	CH35-51C	EL296UH110XE60C	9126140
EL16XC1S036-230B	TXV	36,000	16.00	13.00	CH35-51C	EL296UH110XV48C	9126141
EL16XC1S036-230B	TXV	36,000	16.00	13.00	CH35-51C	EL296UH110XV60C	9126142
EL16XC1S036-230B	TXV	36,000	16.00	13.00	CH35-51C	SL280UH090V60C	9126143
EL16XC1S036-230B	TXV	36,000	16.00	13.00	CH35-51C	SL280UH090XV60C	9126144
EL16XC1S036-230B	TXV	36,000	16.00	13.00	CH35-51C	SL280UH110V60C	9126145
EL16XC1S036-230B	TXV	36,000	16.00	13.00	CH35-51C	SL280UH110XV60C	9126146
EL16XC1S036-230B	TXV	35,800	16.00	13.00	CH35-51C	SLP98UH090XV36C	9126147
EL16XC1S036-230B	TXV	35,800	16.00	13.00	CH35-51C	SLP98UH090XV48C	9126148
EL16XC1S036-230B	TXV	36,000	16.00	13.00	CH35-51C	SLP98UH110XV60C	9126149
EL16XC1S036-230B	TXV	35,200	15.10	12.20	CH35-51C		9126150
EL16XC1S036-230B	TXV	34,000	15.10	12.20	CR33-30/36A	EL180DF045E36A	9126151
EL16XC1S036-230B	TXV	33,800	15.10	12.50	CR33-30/36A	SL280DF070V36A	9126152
EL16XC1S036-230B	TXV	33,800	15.50	12.50	CR33-30/36B	EL180DF070E36B	9126153
EL16XC1S036-230B	TXV	34,000	15.50	12.50	CR33-30/36B	EL180DF090E48B	9126154
EL16XC1S036-230B	TXV	33,800	14.50	12.20	CR33-30/36B	EL195DF045XE36B	9126155
EL16XC1S036-230B	TXV	33,800	15.10	12.50	CR33-30/36B	EL195DF070XE48B	9126156
EL16XC1S036-230B	TXV	33,800	14.50	12.20	CR33-30/36B	EL296DF045XE36B	9126157
EL16XC1S036-230B	TXV	33,800	15.10	12.20	CR33-30/36B	EL296DF045XV36B	9126158
EL16XC1S036-230B	TXV	33,800	15.10	12.50	CR33-30/36B	EL296DF070XE48B	9126159
EL16XC1S036-230B	TXV	33,800	14.50	12.20	CR33-30/36B	EL296DF070XV48B	9126160
EL16XC1S036-230B	TXV	34,000	15.50	12.50	CR33-30/36B	SL280DF090V48B	9126161
EL16XC1S036-230B	TXV	34,000	15.10	12.50	CR33-30/36B	SLP98DF070XV36B	9126162
EL16XC1S036-230B	TXV	34,000	15.50	12.50	CR33-30/36C	EL180DF110E60C	9126163
EL16XC1S036-230B	TXV	34,000	15.50	12.50	CR33-30/36C	EL195DF090XE48C	9126164
EL16XC1S036-230B	TXV	34,000	15.50	12.50	CR33-30/36C	EL195DF110XE60C	9126165
EL16XC1S036-230B	TXV	34,000	15.50	12.50	CR33-30/36C	EL296DF090XE48C	9126166
EL16XC1S036-230B	TXV	34,200	15.10	12.50	CR33-30/36C	EL296DF090XV60C	9126167
EL16XC1S036-230B	TXV	34,000	15.50	12.50	CR33-30/36C	EL296DF110XE60C	9126168
EL16XC1S036-230B	TXV	34,200	15.10	12.50	CR33-30/36C	EL296DF110XV60C	9126169
EL16XC1S036-230B	TXV	34,200	15.50	12.50	CR33-30/36C	SL280DF110V60C	9126170
EL16XC1S036-230B	TXV	34,000	15.10	12.50	CR33-30/36C	SLP98DF090XV36C	9126171
EL16XC1S036-230B	TXV	34,000	15.10	12.50	CR33-30/36C	SLP98DF090XV48C	9126172
EL16XC1S036-230B	TXV	34,200	15.10	12.50	CR33-30/36C	SLP98DF090XV60C	9126173
EL16XC1S036-230B	TXV	34,200	15.10	12.50	CR33-30/36C	SLP98DF110XV60C	9126174
EL16XC1S036-230B	TXV	34,200	16.00	13.00	CR33-48B	EL180DF070E36B	9126175

NOTES:

TXV = Matched with Thermostatic Expansion Valve.

RFC = Matched with RFC metering device.

AHRI certified to AHRI Standard 210/240 (with 25 ft. of connecting refrigerant lines); 95°F outdoor air temperature, 80°F db / 67°F wb entering evaporator air.

All ratings include the use of a blower time delay relay (TDR). All Lennox variable-speed furnaces and Air Handlers have time delay capabilities. Other Furnaces and Air Handlers may require an optional time delay relay (**58M81**) for field installation. See furnace or air handler specifications to determine if relay is needed.

Also see Expansion Valve Kit Usage Table.

AHRI SYSTEM MATCHES - NORTH / SOUTH REGIONS - S036

NOTE - For the latest up-to-date system matches please visit the AHRI web site at <http://www.ahridirectory.org>

Model No.	Expansion Device	Capacity	SEER	EER	Coil or Air Handler	Furnace	AHRI Reference
EL16XC1S036-230B	TXV	34,400	16.00	13.00	CR33-48B	EL180DF090E48B	9126176
EL16XC1S036-230B	TXV	34,000	15.10	12.50	CR33-48B	EL195DF045XE36B	9126177
EL16XC1S036-230B	TXV	34,200	15.50	12.50	CR33-48B	EL195DF070XE48B	9126178
EL16XC1S036-230B	TXV	34,000	15.10	12.50	CR33-48B	EL296DF045XE36B	9126179
EL16XC1S036-230B	TXV	34,200	15.10	12.50	CR33-48B	EL296DF045XV36B	9126180
EL16XC1S036-230B	TXV	34,200	15.50	12.50	CR33-48B	EL296DF070XE48B	9126181
EL16XC1S036-230B	TXV	34,400	15.10	12.50	CR33-48B	EL296DF070XV48B	9126182
EL16XC1S036-230B	TXV	34,400	15.50	12.50	CR33-48B	SL280DF090V48B	9126183
EL16XC1S036-230B	TXV	34,200	15.50	12.50	CR33-48B	SLP98DF070XV36B	9126184
EL16XC1S036-230B	TXV	33,800	14.50	12.00	CR33-48B		10238959
EL16XC1S036-230B	TXV	34,800	16.00	13.00	CR33-48C	EL180DF110E60C	9126185
EL16XC1S036-230B	TXV	34,600	16.00	13.00	CR33-48C	EL195DF090XE48C	9126186
EL16XC1S036-230B	TXV	34,600	16.00	13.00	CR33-48C	EL195DF110XE60C	9126187
EL16XC1S036-230B	TXV	34,600	16.00	13.00	CR33-48C	EL296DF090XE48C	9126188
EL16XC1S036-230B	TXV	34,600	15.50	12.50	CR33-48C	EL296DF090XV60C	9126189
EL16XC1S036-230B	TXV	34,600	16.00	13.00	CR33-48C	EL296DF110XE60C	9126190
EL16XC1S036-230B	TXV	34,600	15.50	12.50	CR33-48C	EL296DF110XV60C	9126191
EL16XC1S036-230B	TXV	34,600	16.00	13.00	CR33-48C	SL280DF110V60C	9126192
EL16XC1S036-230B	TXV	34,400	15.50	12.50	CR33-48C	SLP98DF090XV36C	9126193
EL16XC1S036-230B	TXV	34,200	16.00	13.00	CR33-48C	SLP98DF090XV48C	9126194
EL16XC1S036-230B	TXV	34,600	15.50	12.50	CR33-48C	SLP98DF090XV60C	9126195
EL16XC1S036-230B	TXV	34,600	15.50	12.50	CR33-48C	SLP98DF110XV60C	9126196
EL16XC1S036-230B	TXV	33,800	14.50	12.00	CR33-48C		10238960
EL16XC1S036-230B	TXV	34,600	15.50	12.50	CX34-31A	EL180UH045E36A	9126197
EL16XC1S036-230B	TXV	34,600	15.50	12.50	CX34-31A	EL180UH045XE36A	9126198
EL16XC1S036-230B	TXV	34,600	15.10	12.50	CX34-31A	SL280UH070V36A	9126199
EL16XC1S036-230B	TXV	34,600	15.10	12.50	CX34-31A	SL280UH070XV36A	9126200
EL16XC1S036-230B	TXV	34,200	14.50	12.00	CX34-31A		9126449
EL16XC1S036-230B	TXV	34,600	15.10	12.50	CX34-31B	EL180UH070E36B	9126201
EL16XC1S036-230B	TXV	34,600	15.10	12.50	CX34-31B	EL180UH070XE36B	9126202
EL16XC1S036-230B	TXV	34,400	15.50	12.50	CX34-31B	EL180UH090E48B	9126203
EL16XC1S036-230B	TXV	34,400	15.50	12.50	CX34-31B	EL180UH090XE48B	9126204
EL16XC1S036-230B	TXV	34,400	14.50	12.20	CX34-31B	EL195UH045XE36B	9126205
EL16XC1S036-230B	TXV	34,200	15.10	12.50	CX34-31B	EL195UH070XE36B	9126206
EL16XC1S036-230B	TXV	34,400	14.50	12.20	CX34-31B	EL296UH045XE36B	9126207
EL16XC1S036-230B	TXV	34,400	15.10	12.50	CX34-31B	EL296UH045XV36B	9126208
EL16XC1S036-230B	TXV	34,200	15.10	12.50	CX34-31B	EL296UH070XE36B	9126209
EL16XC1S036-230B	TXV	34,600	15.10	12.50	CX34-31B	EL296UH070XV36B	9126210
EL16XC1S036-230B	TXV	34,600	16.00	13.00	CX34-31B	SL280UH090V36B	9126211
EL16XC1S036-230B	TXV	34,600	15.50	12.50	CX34-31B	SL280UH090V48B	9126212
EL16XC1S036-230B	TXV	34,600	15.50	12.50	CX34-31B	SL280UH090XV48B	9126213
EL16XC1S036-230B	TXV	34,600	15.10	12.50	CX34-31B	SLP98UH070XV36B	9126214
EL16XC1S036-230B	TXV	34,200	14.50	12.00	CX34-31B		9126450
EL16XC1S036-230B	TXV	33,600	14.50	12.20	CX34-36A	EL180UH045E36A	9126215
EL16XC1S036-230B	TXV	33,600	14.50	12.20	CX34-36A	EL180UH045XE36A	9126216
EL16XC1S036-230B	TXV	33,200	15.10	12.50	CX34-36A	SL280UH070V36A	9126217
EL16XC1S036-230B	TXV	33,200	15.10	12.50	CX34-36A	SL280UH070XV36A	9126218
EL16XC1S036-230B	TXV	33,400	15.50	12.50	CX34-36B	EL180UH070E36B	9126219
EL16XC1S036-230B	TXV	33,400	15.50	12.50	CX34-36B	EL180UH070XE36B	9126220

NOTES:

TXV = Matched with Thermostatic Expansion Valve.

RFC = Matched with RFC metering device.

AHRI certified to AHRI Standard 210/240 (with 25 ft. of connecting refrigerant lines); 95°F outdoor air temperature, 80°F db / 67°F wb entering evaporator air.

All ratings include the use of a blower time delay relay (TDR). All Lennox variable-speed furnaces and Air Handlers have time delay capabilities. Other Furnaces and Air Handlers may require an optional time delay relay (**58M81**) for field installation. See furnace or air handler specifications to determine if relay is needed.

Also see Expansion Valve Kit Usage Table.

AHRI SYSTEM MATCHES - NORTH / SOUTH REGIONS - S036

NOTE - For the latest up-to-date system matches please visit the AHRI web site at <http://www.ahridirectory.org>

Model No.	Expansion Device	Capacity	SEER	EER	Coil or Air Handler	Furnace	AHRI Reference
EL16XC1S036-230B	TXV	33,800	15.50	12.50	CX34-36B	EL180UH090E48B	9126221
EL16XC1S036-230B	TXV	33,800	15.50	12.50	CX34-36B	EL180UH090XE48B	9126222
EL16XC1S036-230B	TXV	33,000	15.10	12.20	CX34-36B	EL195UH045XE36B	9126223
EL16XC1S036-230B	TXV	33,400	15.10	12.50	CX34-36B	EL195UH070XE36B	9126224
EL16XC1S036-230B	TXV	33,000	15.10	12.20	CX34-36B	EL296UH045XE36B	9126225
EL16XC1S036-230B	TXV	33,000	14.50	12.20	CX34-36B	EL296UH045XV36B	9126226
EL16XC1S036-230B	TXV	33,400	15.10	12.50	CX34-36B	EL296UH070XE36B	9126227
EL16XC1S036-230B	TXV	33,200	15.10	12.50	CX34-36B	EL296UH070XV36B	9126228
EL16XC1S036-230B	TXV	33,600	15.50	12.50	CX34-36B	SL280UH090V36B	9126229
EL16XC1S036-230B	TXV	33,600	15.50	12.50	CX34-36B	SL280UH090V48B	9126230
EL16XC1S036-230B	TXV	33,600	15.50	12.50	CX34-36B	SL280UH090XV48B	9126231
EL16XC1S036-230B	TXV	33,200	15.10	12.50	CX34-36B	SLP98UH070XV36B	9126232
EL16XC1S036-230B	TXV	33,800	15.50	12.50	CX34-36C	EL180UH090E60C	9126233
EL16XC1S036-230B	TXV	33,400	15.50	12.50	CX34-36C	EL180UH110E60C	9126234
EL16XC1S036-230B	TXV	33,400	15.50	12.50	CX34-36C	EL180UH110XE60C	9126235
EL16XC1S036-230B	TXV	33,600	15.50	12.50	CX34-36C	EL195UH090XE48C	9126236
EL16XC1S036-230B	TXV	33,800	15.50	12.50	CX34-36C	EL195UH110XE60C	9126237
EL16XC1S036-230B	TXV	33,600	15.50	12.50	CX34-36C	EL296UH090XE48C	9126238
EL16XC1S036-230B	TXV	33,600	15.10	12.50	CX34-36C	EL296UH090XV36C	9126239
EL16XC1S036-230B	TXV	33,400	15.50	12.50	CX34-36C	EL296UH090XV48C	9126240
EL16XC1S036-230B	TXV	33,800	15.50	12.50	CX34-36C	EL296UH110XE60C	9126241
EL16XC1S036-230B	TXV	33,600	15.50	12.50	CX34-36C	EL296UH110XV48C	9126242
EL16XC1S036-230B	TXV	33,600	15.10	12.50	CX34-36C	SLP98UH090XV36C	9126243
EL16XC1S036-230B	TXV	33,400	15.50	12.50	CX34-36C	SLP98UH090XV48C	9126244
EL16XC1S036-230B	TXV	35,000	15.50	12.50	CX34-38A	EL180UH045E36A	9126245
EL16XC1S036-230B	TXV	35,000	15.50	12.50	CX34-38A	EL180UH045XE36A	9126246
EL16XC1S036-230B	TXV	35,000	15.50	12.50	CX34-38A	SL280UH070V36A	9126247
EL16XC1S036-230B	TXV	35,000	15.50	12.50	CX34-38A	SL280UH070XV36A	9126248
EL16XC1S036-230B	TXV	34,600	14.50	12.20	CX34-38A		9126249
EL16XC1S036-230B	TXV	34,800	16.00	13.00	CX34-38B	EL180UH070E36B	9126250
EL16XC1S036-230B	TXV	34,800	16.00	13.00	CX34-38B	EL180UH070XE36B	9126251
EL16XC1S036-230B	TXV	35,200	16.00	13.00	CX34-38B	EL180UH090E48B	9126252
EL16XC1S036-230B	TXV	35,200	16.00	13.00	CX34-38B	EL180UH090XE48B	9126253
EL16XC1S036-230B	TXV	34,800	15.10	12.50	CX34-38B	EL195UH045XE36B	9126254
EL16XC1S036-230B	TXV	34,800	15.50	12.50	CX34-38B	EL195UH070XE36B	9126255
EL16XC1S036-230B	TXV	34,800	15.10	12.50	CX34-38B	EL296UH045XE36B	9126256
EL16XC1S036-230B	TXV	35,000	15.50	12.50	CX34-38B	EL296UH045XV36B	9126257
EL16XC1S036-230B	TXV	34,800	15.50	12.50	CX34-38B	EL296UH070XE36B	9126258
EL16XC1S036-230B	TXV	35,000	15.50	12.50	CX34-38B	EL296UH070XV36B	9126259
EL16XC1S036-230B	TXV	35,000	16.00	13.00	CX34-38B	SL280UH090V36B	9126260
EL16XC1S036-230B	TXV	35,200	16.00	13.00	CX34-38B	SL280UH090V48B	9126261
EL16XC1S036-230B	TXV	35,200	16.00	13.00	CX34-38B	SL280UH090XV48B	9126262
EL16XC1S036-230B	TXV	35,000	15.50	12.50	CX34-38B	SLP98UH070XV36B	9126263
EL16XC1S036-230B	TXV	34,600	14.50	12.20	CX34-38B		9126264
EL16XC1S036-230B	TXV	33,400	15.50	12.50	CX34-42	EL180UH070E36B	9126265
EL16XC1S036-230B	TXV	33,400	15.50	12.50	CX34-42	EL180UH070XE36B	9126266
EL16XC1S036-230B	TXV	33,800	15.50	12.50	CX34-42	EL180UH090E48B	9126267
EL16XC1S036-230B	TXV	33,800	15.50	12.50	CX34-42	EL180UH090XE48B	9126268
EL16XC1S036-230B	TXV	33,000	15.10	12.20	CX34-42	EL195UH045XE36B	9126269

NOTES:

TXV = Matched with Thermostatic Expansion Valve.

RFC = Matched with RFC metering device.

AHRI certified to AHRI Standard 210/240 (with 25 ft. of connecting refrigerant lines); 95°F outdoor air temperature, 80°F db / 67°F wb entering evaporator air.

All ratings include the use of a blower time delay relay (TDR). All Lennox variable-speed furnaces and Air Handlers have time delay capabilities. Other Furnaces and Air Handlers may require an optional time delay relay (**58M81**) for field installation. See furnace or air handler specifications to determine if relay is needed.

Also see Expansion Valve Kit Usage Table.

AHRI SYSTEM MATCHES - NORTH / SOUTH REGIONS - S036

NOTE - For the latest up-to-date system matches please visit the AHRI web site at <http://www.ahridirectory.org>

Model No.	Expansion Device	Capacity	SEER	EER	Coil or Air Handler	Furnace	AHRI Reference
EL16XC1S036-230B	TXV	33,400	15.10	12.50	CX34-42	EL195UH070XE36B	9126270
EL16XC1S036-230B	TXV	33,000	15.10	12.20	CX34-42	EL296UH045XE36B	9126271
EL16XC1S036-230B	TXV	33,400	14.50	12.20	CX34-42	EL296UH045XV36B	9126272
EL16XC1S036-230B	TXV	33,400	15.10	12.50	CX34-42	EL296UH070XE36B	9126273
EL16XC1S036-230B	TXV	33,200	15.10	12.50	CX34-42	EL296UH070XV36B	9126274
EL16XC1S036-230B	TXV	33,600	15.50	12.50	CX34-42	SL280UH090V36B	9126275
EL16XC1S036-230B	TXV	33,600	15.50	12.50	CX34-42	SL280UH090V48B	9126276
EL16XC1S036-230B	TXV	33,600	15.50	12.50	CX34-42	SL280UH090XV48B	9126277
EL16XC1S036-230B	TXV	33,200	15.10	12.50	CX34-42	SLP98UH070XV36B	9126278
EL16XC1S036-230B	TXV	35,200	16.00	13.00	CX34-43B	EL180UH070E36B	9126279
EL16XC1S036-230B	TXV	35,200	16.00	13.00	CX34-43B	EL180UH070XE36B	9126280
EL16XC1S036-230B	TXV	35,600	16.00	13.00	CX34-43B	EL180UH090E48B	9126281
EL16XC1S036-230B	TXV	35,600	16.00	13.00	CX34-43B	EL180UH090XE48B	9126282
EL16XC1S036-230B	TXV	35,000	15.10	12.50	CX34-43B	EL195UH045XE36B	9126283
EL16XC1S036-230B	TXV	35,000	16.00	13.00	CX34-43B	EL195UH070XE36B	9126284
EL16XC1S036-230B	TXV	35,000	15.10	12.50	CX34-43B	EL296UH045XE36B	9126285
EL16XC1S036-230B	TXV	35,200	15.50	12.50	CX34-43B	EL296UH045XV36B	9126286
EL16XC1S036-230B	TXV	35,000	16.00	13.00	CX34-43B	EL296UH070XE36B	9126287
EL16XC1S036-230B	TXV	35,200	15.50	12.50	CX34-43B	EL296UH070XV36B	9126288
EL16XC1S036-230B	TXV	35,200	16.00	13.00	CX34-43B	SL280UH090V36B	9126289
EL16XC1S036-230B	TXV	35,400	16.00	13.00	CX34-43B	SL280UH090V48B	9126290
EL16XC1S036-230B	TXV	35,400	16.00	13.00	CX34-43B	SL280UH090XV48B	9126291
EL16XC1S036-230B	TXV	35,200	15.50	12.50	CX34-43B	SLP98UH070XV36B	9126292
EL16XC1S036-230B	TXV	34,800	14.50	12.20	CX34-43B		9126293
EL16XC1S036-230B	TXV	35,600	16.00	13.00	CX34-43C	EL180UH090E60C	9126294
EL16XC1S036-230B	TXV	35,200	16.00	13.00	CX34-43C	EL180UH110E60C	9126295
EL16XC1S036-230B	TXV	35,200	16.00	13.00	CX34-43C	EL180UH110XE60C	9126296
EL16XC1S036-230B	TXV	35,200	16.00	13.00	CX34-43C	EL195UH090XE48C	9126297
EL16XC1S036-230B	TXV	35,600	16.00	13.00	CX34-43C	EL195UH110XE60C	9126298
EL16XC1S036-230B	TXV	35,200	16.00	13.00	CX34-43C	EL296UH090XE48C	9126299
EL16XC1S036-230B	TXV	35,400	16.00	13.00	CX34-43C	EL296UH090XV36C	9126300
EL16XC1S036-230B	TXV	35,200	16.00	13.00	CX34-43C	EL296UH090XV48C	9126301
EL16XC1S036-230B	TXV	35,600	16.00	13.00	CX34-43C	EL296UH110XE60C	9126302
EL16XC1S036-230B	TXV	35,400	16.00	13.00	CX34-43C	EL296UH110XV48C	9126303
EL16XC1S036-230B	TXV	35,600	16.00	13.00	CX34-43C	EL296UH110XV60C	9126304
EL16XC1S036-230B	TXV	35,800	16.00	13.00	CX34-43C	SL280UH090V60C	9126305
EL16XC1S036-230B	TXV	35,800	16.00	13.00	CX34-43C	SL280UH090XV60C	9126306
EL16XC1S036-230B	TXV	35,600	16.00	13.00	CX34-43C	SL280UH110V60C	9126307
EL16XC1S036-230B	TXV	35,600	16.00	13.00	CX34-43C	SL280UH110XV60C	9126308
EL16XC1S036-230B	TXV	35,400	16.00	13.00	CX34-43C	SLP98UH090XV36C	9126309
EL16XC1S036-230B	TXV	35,200	16.00	13.00	CX34-43C	SLP98UH090XV48C	9126310
EL16XC1S036-230B	TXV	35,600	16.00	13.00	CX34-43C	SLP98UH110XV60C	9126311
EL16XC1S036-230B	TXV	34,800	14.50	12.20	CX34-43C		9126312
EL16XC1S036-230B	TXV	34,600	16.00	13.00	CX34-44/48B	EL180UH070E36B	9126313
EL16XC1S036-230B	TXV	34,600	16.00	13.00	CX34-44/48B	EL180UH070XE36B	9126314
EL16XC1S036-230B	TXV	35,000	16.00	13.00	CX34-44/48B	EL180UH090E48B	9126315
EL16XC1S036-230B	TXV	35,000	16.00	13.00	CX34-44/48B	EL180UH090XE48B	9126316
EL16XC1S036-230B	TXV	34,200	15.50	12.50	CX34-44/48B	EL195UH045XE36B	9126317
EL16XC1S036-230B	TXV	34,400	15.50	12.50	CX34-44/48B	EL195UH070XE36B	9126318

NOTES:

TXV = Matched with Thermostatic Expansion Valve.

RFC = Matched with RFC metering device.

AHRI certified to AHRI Standard 210/240 (with 25 ft. of connecting refrigerant lines); 95°F outdoor air temperature, 80°F db / 67°F wb entering evaporator air.

All ratings include the use of a blower time delay relay (TDR). All Lennox variable-speed furnaces and Air Handlers have time delay capabilities. Other Furnaces and Air Handlers may require an optional time delay relay (**58M81**) for field installation. See furnace or air handler specifications to determine if relay is needed.

Also see Expansion Valve Kit Usage Table.

AHRI SYSTEM MATCHES - NORTH / SOUTH REGIONS - S036

NOTE - For the latest up-to-date system matches please visit the AHRI web site at <http://www.ahridirectory.org>

Model No.	Expansion Device	Capacity	SEER	EER	Coil or Air Handler	Furnace	AHRI Reference
EL16XC1S036-230B	TXV	34,200	15.50	12.50	CX34-44/48B	EL296UH045XE36B	9126319
EL16XC1S036-230B	TXV	34,600	15.10	12.50	CX34-44/48B	EL296UH045XV36B	9126320
EL16XC1S036-230B	TXV	34,400	15.50	12.50	CX34-44/48B	EL296UH070XE36B	9126321
EL16XC1S036-230B	TXV	34,600	15.50	12.50	CX34-44/48B	EL296UH070XV36B	9126322
EL16XC1S036-230B	TXV	34,800	16.00	13.00	CX34-44/48B	SL280UH090V36B	9126323
EL16XC1S036-230B	TXV	34,800	16.00	13.00	CX34-44/48B	SL280UH090V48B	9126324
EL16XC1S036-230B	TXV	34,800	16.00	13.00	CX34-44/48B	SL280UH090XV48B	9126325
EL16XC1S036-230B	TXV	34,600	15.50	12.50	CX34-44/48B	SLP98UH070XV36B	9126326
EL16XC1S036-230B	TXV	34,200	14.50	12.00	CX34-44/48B		9126451
EL16XC1S036-230B	TXV	35,000	16.00	13.00	CX34-44/48C	EL180UH090E60C	9126327
EL16XC1S036-230B	TXV	34,600	16.00	13.00	CX34-44/48C	EL180UH110E60C	9126328
EL16XC1S036-230B	TXV	34,600	16.00	13.00	CX34-44/48C	EL180UH110XE60C	9126329
EL16XC1S036-230B	TXV	34,600	16.00	13.00	CX34-44/48C	EL195UH090XE48C	9126330
EL16XC1S036-230B	TXV	35,000	16.00	13.00	CX34-44/48C	EL195UH110XE60C	9126331
EL16XC1S036-230B	TXV	34,600	16.00	13.00	CX34-44/48C	EL296UH090XE48C	9126332
EL16XC1S036-230B	TXV	34,800	16.00	13.00	CX34-44/48C	EL296UH090XV36C	9126333
EL16XC1S036-230B	TXV	34,600	16.00	13.00	CX34-44/48C	EL296UH090XV48C	9126334
EL16XC1S036-230B	TXV	35,000	16.00	13.00	CX34-44/48C	EL296UH110XE60C	9126335
EL16XC1S036-230B	TXV	34,800	16.00	13.00	CX34-44/48C	EL296UH110XV48C	9126336
EL16XC1S036-230B	TXV	35,000	16.00	13.00	CX34-44/48C	EL296UH110XV60C	9126337
EL16XC1S036-230B	TXV	35,200	16.00	13.00	CX34-44/48C	SL280UH090V60C	9126338
EL16XC1S036-230B	TXV	35,200	16.00	13.00	CX34-44/48C	SL280UH090XV60C	9126339
EL16XC1S036-230B	TXV	35,000	16.00	13.00	CX34-44/48C	SL280UH110V60C	9126340
EL16XC1S036-230B	TXV	35,000	16.00	13.00	CX34-44/48C	SL280UH110XV60C	9126341
EL16XC1S036-230B	TXV	34,800	16.00	13.00	CX34-44/48C	SLP98UH090XV36C	9126342
EL16XC1S036-230B	TXV	34,600	16.00	13.00	CX34-44/48C	SLP98UH090XV48C	9126343
EL16XC1S036-230B	TXV	35,000	16.00	13.00	CX34-44/48C	SLP98UH110XV60C	9126344
EL16XC1S036-230B	TXV	34,200	14.50	12.00	CX34-44/48C		9126452
EL16XC1S036-230B	TXV	35,800	16.00	13.00	CX34-49	EL180UH090E60C	9126345
EL16XC1S036-230B	TXV	35,600	16.00	13.00	CX34-49	EL180UH110E60C	9126346
EL16XC1S036-230B	TXV	35,600	16.00	13.00	CX34-49	EL180UH110XE60C	9126347
EL16XC1S036-230B	TXV	35,600	16.00	13.00	CX34-49	EL195UH090XE48C	9126348
EL16XC1S036-230B	TXV	36,000	16.00	13.00	CX34-49	EL195UH110XE60C	9126349
EL16XC1S036-230B	TXV	35,600	16.00	13.00	CX34-49	EL296UH090XE48C	9126350
EL16XC1S036-230B	TXV	35,800	16.00	13.00	CX34-49	EL296UH090XV36C	9126351
EL16XC1S036-230B	TXV	35,600	16.00	13.00	CX34-49	EL296UH090XV48C	9126352
EL16XC1S036-230B	TXV	36,000	16.00	13.00	CX34-49	EL296UH110XE60C	9126353
EL16XC1S036-230B	TXV	35,800	16.00	13.00	CX34-49	EL296UH110XV48C	9126354
EL16XC1S036-230B	TXV	36,000	16.00	13.00	CX34-49	EL296UH110XV60C	9126355
EL16XC1S036-230B	TXV	36,000	16.00	13.00	CX34-49	SL280UH090V60C	9126356
EL16XC1S036-230B	TXV	36,000	16.00	13.00	CX34-49	SL280UH090XV60C	9126357
EL16XC1S036-230B	TXV	36,000	16.00	13.00	CX34-49	SL280UH110V60C	9126358
EL16XC1S036-230B	TXV	36,000	16.00	13.00	CX34-49	SL280UH110XV60C	9126359
EL16XC1S036-230B	TXV	35,800	16.00	13.00	CX34-49	SLP98UH090XV36C	9126360
EL16XC1S036-230B	TXV	35,600	16.00	13.00	CX34-49	SLP98UH090XV48C	9126361
EL16XC1S036-230B	TXV	36,000	16.00	13.00	CX34-49	SLP98UH110XV60C	9126362
EL16XC1S036-230B	TXV	35,200	14.50	12.20	CX34-49		9126363
EL16XC1S036-230B	TXV	35,400	16.00	13.00	CX34-50/60C	EL180UH090E60C	9126364
EL16XC1S036-230B	TXV	35,000	16.00	13.00	CX34-50/60C	EL180UH110E60C	9126365

NOTES:

TXV = Matched with Thermostatic Expansion Valve.

RFC = Matched with RFC metering device.

AHRI certified to AHRI Standard 210/240 (with 25 ft. of connecting refrigerant lines); 95°F outdoor air temperature, 80°F db / 67°F wb entering evaporator air. All ratings include the use of a blower time delay relay (TDR). All Lennox variable-speed furnaces and Air Handlers have time delay capabilities. Other Furnaces and Air Handlers may require an optional time delay relay (**58M81**) for field installation. See furnace or air handler specifications to determine if relay is needed.

Also see Expansion Valve Kit Usage Table.

AHRI SYSTEM MATCHES - NORTH / SOUTH REGIONS - S036

NOTE - For the latest up-to-date system matches please visit the AHRI web site at <http://www.ahridirectory.org>

Model No.	Expansion Device	Capacity	SEER	EER	Coil or Air Handler	Furnace	AHRI Reference
EL16XC1S036-230B	TXV	35,000	16.00	13.00	CX34-50/60C	EL180UH110XE60C	9126366
EL16XC1S036-230B	TXV	35,000	16.00	13.00	CX34-50/60C	EL195UH090XE48C	9126367
EL16XC1S036-230B	TXV	35,400	16.00	13.00	CX34-50/60C	EL195UH110XE60C	9126368
EL16XC1S036-230B	TXV	35,000	16.00	13.00	CX34-50/60C	EL296UH090XE48C	9126369
EL16XC1S036-230B	TXV	35,200	16.00	13.00	CX34-50/60C	EL296UH090XV36C	9126370
EL16XC1S036-230B	TXV	35,000	16.00	13.00	CX34-50/60C	EL296UH090XV48C	9126371
EL16XC1S036-230B	TXV	35,400	16.00	13.00	CX34-50/60C	EL296UH110XE60C	9126372
EL16XC1S036-230B	TXV	35,200	16.00	13.00	CX34-50/60C	EL296UH110XV48C	9126373
EL16XC1S036-230B	TXV	35,400	16.00	13.00	CX34-50/60C	EL296UH110XV60C	9126374
EL16XC1S036-230B	TXV	35,600	16.00	13.00	CX34-50/60C	SL280UH090V60C	9126375
EL16XC1S036-230B	TXV	35,600	16.00	13.00	CX34-50/60C	SL280UH090XV60C	9126376
EL16XC1S036-230B	TXV	35,400	16.00	13.00	CX34-50/60C	SL280UH110V60C	9126377
EL16XC1S036-230B	TXV	35,400	16.00	13.00	CX34-50/60C	SL280UH110XV60C	9126378
EL16XC1S036-230B	TXV	35,200	16.00	13.00	CX34-50/60C	SLP98UH090XV36C	9126379
EL16XC1S036-230B	TXV	35,000	16.00	13.00	CX34-50/60C	SLP98UH090XV48C	9126380
EL16XC1S036-230B	TXV	35,400	16.00	13.00	CX34-50/60C	SLP98UH110XV60C	9126381
EL16XC1S036-230B	TXV	34,600	14.50	12.20	CX34-50/60C		9126382
EL16XC1S036-230B	TXV	33,600	15.10	12.20	CX35-30/36A	EL180UH045E36A	9126383
EL16XC1S036-230B	TXV	33,600	15.10	12.20	CX35-30/36A	EL180UH045XE36A	9126384
EL16XC1S036-230B	TXV	33,400	15.10	12.50	CX35-30/36A	SL280UH070V36A	9126385
EL16XC1S036-230B	TXV	33,400	15.10	12.50	CX35-30/36A	SL280UH070XV36A	9126386
EL16XC1S036-230B	TXV	33,600	15.50	12.50	CX35-30/36B	EL180UH070E36B	9126387
EL16XC1S036-230B	TXV	33,600	15.50	12.50	CX35-30/36B	EL180UH070XE36B	9126388
EL16XC1S036-230B	TXV	34,000	15.50	12.50	CX35-30/36B	EL180UH090E48B	9126389
EL16XC1S036-230B	TXV	34,000	15.50	12.50	CX35-30/36B	EL180UH090XE48B	9126390
EL16XC1S036-230B	TXV	33,200	15.10	12.50	CX35-30/36B	EL195UH045XE36B	9126391
EL16XC1S036-230B	TXV	33,200	15.10	12.50	CX35-30/36B	EL296UH045XE36B	9126392
EL16XC1S036-230B	TXV	33,200	15.10	12.20	CX35-30/36B	EL296UH045XV36B	9126393
EL16XC1S036-230B	TXV	33,400	15.10	12.50	CX35-30/36B	EL296UH070XV36B	9126394
EL16XC1S036-230B	TXV	33,600	15.50	12.50	CX35-30/36B	SL280UH090V36B	9126395
EL16XC1S036-230B	TXV	33,800	15.50	12.50	CX35-30/36B	SL280UH090V48B	9126396
EL16XC1S036-230B	TXV	33,800	15.50	12.50	CX35-30/36B	SL280UH090XV48B	9126397
EL16XC1S036-230B	TXV	33,400	15.10	12.50	CX35-30/36B	SLP98UH070XV36B	9126398
EL16XC1S036-230B	TXV	34,000	15.50	12.50	CX35-30/36C	EL180UH090E60C	9126399
EL16XC1S036-230B	TXV	33,600	15.50	12.50	CX35-30/36C	EL180UH110E60C	9126400
EL16XC1S036-230B	TXV	33,600	15.50	12.50	CX35-30/36C	EL180UH110XE60C	9126401
EL16XC1S036-230B	TXV	33,600	15.50	12.50	CX35-30/36C	EL195UH090XE48C	9126402
EL16XC1S036-230B	TXV	34,000	15.50	12.50	CX35-30/36C	EL195UH110XE60C	9126403
EL16XC1S036-230B	TXV	33,600	15.50	12.50	CX35-30/36C	EL296UH090XE48C	9126404
EL16XC1S036-230B	TXV	33,800	15.50	12.50	CX35-30/36C	EL296UH090XV36C	9126405
EL16XC1S036-230B	TXV	33,600	15.50	12.50	CX35-30/36C	EL296UH090XV48C	9126406
EL16XC1S036-230B	TXV	34,000	15.50	12.50	CX35-30/36C	EL296UH110XE60C	9126407
EL16XC1S036-230B	TXV	33,800	15.50	12.50	CX35-30/36C	EL296UH110XV48C	9126408
EL16XC1S036-230B	TXV	33,800	15.50	12.50	CX35-30/36C	SLP98UH090XV36C	9126409
EL16XC1S036-230B	TXV	33,600	15.50	12.50	CX35-30/36C	SLP98UH090XV48C	9126410
EL16XC1S036-230B	TXV	34,000	15.50	12.50	CX35-30/36C	SLP98UH110XV60C	9126411
EL16XC1S036-230B	TXV	34,800	15.50	12.50	CX35-30A	EL180UH045E36A	9126412
EL16XC1S036-230B	TXV	34,800	15.50	12.50	CX35-30A	EL180UH045XE36A	9126413
EL16XC1S036-230B	TXV	34,600	15.50	12.50	CX35-30A	SL280UH070V36A	9126414

NOTES:

TXV = Matched with Thermostatic Expansion Valve.

RFC = Matched with RFC metering device.

AHRI certified to AHRI Standard 210/240 (with 25 ft. of connecting refrigerant lines); 95°F outdoor air temperature, 80°F db / 67°F wb entering evaporator air.

All ratings include the use of a blower time delay relay (TDR). All Lennox variable-speed furnaces and Air Handlers have time delay capabilities. Other Furnaces and Air Handlers may require an optional time delay relay (**58M81**) for field installation. See furnace or air handler specifications to determine if relay is needed.

Also see Expansion Valve Kit Usage Table.

AHRI SYSTEM MATCHES - NORTH / SOUTH REGIONS - S036

NOTE - For the latest up-to-date system matches please visit the AHRI web site at <http://www.ahridirectory.org>

Model No.	Expansion Device	Capacity	SEER	EER	Coil or Air Handler	Furnace	AHRI Reference
EL16XC1S036-230B	TXV	34,600	15.50	12.50	CX35-30A	SL280UH070XV36A	9126415
EL16XC1S036-230B	TXV	34,400	16.00	13.00	CX35-30B	EL180UH070E36B	9126416
EL16XC1S036-230B	TXV	34,400	16.00	13.00	CX35-30B	EL180UH070XE36B	9126417
EL16XC1S036-230B	TXV	34,600	15.50	12.50	CX35-30B	EL180UH090E48B	9126418
EL16XC1S036-230B	TXV	34,600	15.50	12.50	CX35-30B	EL180UH090XE48B	9126419
EL16XC1S036-230B	TXV	34,400	14.50	12.20	CX35-30B	EL195UH045XE36B	9126420
EL16XC1S036-230B	TXV	34,400	15.50	12.50	CX35-30B	EL195UH070XE36B	9126421
EL16XC1S036-230B	TXV	34,400	14.50	12.20	CX35-30B	EL296UH045XE36B	9126422
EL16XC1S036-230B	TXV	34,600	15.10	12.50	CX35-30B	EL296UH045XV36B	9126423
EL16XC1S036-230B	TXV	34,400	15.50	12.50	CX35-30B	EL296UH070XE36B	9126424
EL16XC1S036-230B	TXV	34,600	15.50	12.50	CX35-30B	EL296UH070XV36B	9126425
EL16XC1S036-230B	TXV	34,800	16.00	13.00	CX35-30B	SL280UH090V36B	9126426
EL16XC1S036-230B	TXV	34,800	16.00	13.00	CX35-30B	SL280UH090V48B	9126427
EL16XC1S036-230B	TXV	34,800	16.00	13.00	CX35-30B	SL280UH090XV48B	9126428
EL16XC1S036-230B	TXV	34,600	15.50	12.50	CX35-30B	SLP98UH070XV36B	9126429
EL16XC1S036-230B	TXV	35,200	15.50	12.50	CX35-36A	EL180UH045E36A	9126430
EL16XC1S036-230B	TXV	35,200	15.50	12.50	CX35-36A	EL180UH045XE36A	9126431
EL16XC1S036-230B	TXV	35,000	15.50	12.50	CX35-36A	SL280UH070V36A	9126432
EL16XC1S036-230B	TXV	35,000	15.50	12.50	CX35-36A	SL280UH070XV36A	9126433
EL16XC1S036-230B	TXV	34,600	14.50	12.20	CX35-36A		9126434
EL16XC1S036-230B	TXV	35,000	16.00	13.00	CX35-36B	EL180UH070E36B	9126435
EL16XC1S036-230B	TXV	35,000	16.00	13.00	CX35-36B	EL180UH070XE36B	9126436
EL16XC1S036-230B	TXV	35,400	16.00	13.00	CX35-36B	EL180UH090E48B	9126437
EL16XC1S036-230B	TXV	35,400	16.00	13.00	CX35-36B	EL180UH090XE48B	9126438
EL16XC1S036-230B	TXV	34,600	15.50	12.50	CX35-36B	EL195UH045XE36B	10150019
EL16XC1S036-230B	TXV	35,000	15.50	12.50	CX35-36B	EL195UH070XE36B	10150020
EL16XC1S036-230B	TXV	34,600	15.50	12.50	CX35-36B	EL296UH045XE36B	10150021
EL16XC1S036-230B	TXV	35,000	15.50	12.50	CX35-36B	EL296UH045XV36B	10150022
EL16XC1S036-230B	TXV	35,000	15.50	12.50	CX35-36B	EL296UH070XE36B	10150023
EL16XC1S036-230B	TXV	35,000	15.50	12.50	CX35-36B	EL296UH070XV36B	10150024
EL16XC1S036-230B	TXV	35,200	16.00	13.00	CX35-36B	SL280UH090V36B	10150025
EL16XC1S036-230B	TXV	35,200	16.00	13.00	CX35-36B	SL280UH090V48B	10150026
EL16XC1S036-230B	TXV	35,200	16.00	13.00	CX35-36B	SL280UH090XV48B	10150027
EL16XC1S036-230B	TXV	35,000	15.50	12.50	CX35-36B	SLP98UH070XV36B	10150028
EL16XC1S036-230B	TXV	35,200	16.00	13.00	CX35-48B	EL180UH070E36B	10150030
EL16XC1S036-230B	TXV	35,200	16.00	13.00	CX35-48B	EL180UH070XE36B	10150031
EL16XC1S036-230B	TXV	35,600	16.00	13.00	CX35-48B	EL180UH090E48B	10150032
EL16XC1S036-230B	TXV	35,600	16.00	13.00	CX35-48B	EL180UH090XE48B	10150033
EL16XC1S036-230B	TXV	34,800	15.50	12.50	CX35-48B	EL195UH045XE36B	10150034
EL16XC1S036-230B	TXV	35,200	16.00	13.00	CX35-48B	EL195UH070XE36B	10150035
EL16XC1S036-230B	TXV	34,800	15.50	12.50	CX35-48B	EL296UH045XE36B	10150036
EL16XC1S036-230B	TXV	35,200	15.50	12.50	CX35-48B	EL296UH045XV36B	10150037
EL16XC1S036-230B	TXV	35,200	16.00	13.00	CX35-48B	EL296UH070XE36B	10150038
EL16XC1S036-230B	TXV	35,200	15.50	12.50	CX35-48B	EL296UH070XV36B	10150039
EL16XC1S036-230B	TXV	35,400	16.00	13.00	CX35-48B	SL280UH090V36B	10150040
EL16XC1S036-230B	TXV	35,400	16.00	13.00	CX35-48B	SL280UH090V48B	10150041
EL16XC1S036-230B	TXV	35,400	16.00	13.00	CX35-48B	SL280UH090XV48B	10150042
EL16XC1S036-230B	TXV	35,200	15.50	12.50	CX35-48B	SLP98UH070XV36B	10150043
EL16XC1S036-230B	TXV	34,800	14.50	12.20	CX35-48B		10150029

NOTES:

TXV = Matched with Thermostatic Expansion Valve.

RFC = Matched with RFC metering device.

AHRI certified to AHRI Standard 210/240 (with 25 ft. of connecting refrigerant lines); 95°F outdoor air temperature, 80°F db / 67°F wb entering evaporator air.

All ratings include the use of a blower time delay relay (TDR). All Lennox variable-speed furnaces and Air Handlers have time delay capabilities. Other Furnaces and Air Handlers may require an optional time delay relay (**58M81**) for field installation. See furnace or air handler specifications to determine if relay is needed.

Also see Expansion Valve Kit Usage Table.

AHRI SYSTEM MATCHES - NORTH / SOUTH REGIONS - S036

NOTE - For the latest up-to-date system matches please visit the AHRI web site at <http://www.ahridirectory.org>

Model No.	Expansion Device	Capacity	SEER	EER	Coil or Air Handler	Furnace	AHRI Reference
EL16XC1S036-230B	TXV	35,600	16.00	13.00	CX35-48C	EL180UH090E60C	10150045
EL16XC1S036-230B	TXV	35,200	16.00	13.00	CX35-48C	EL180UH110E60C	10150046
EL16XC1S036-230B	TXV	35,200	16.00	13.00	CX35-48C	EL180UH110XE60C	10150047
EL16XC1S036-230B	TXV	35,400	16.00	13.00	CX35-48C	EL195UH090XE48C	10150048
EL16XC1S036-230B	TXV	35,600	16.00	13.00	CX35-48C	EL195UH110XE60C	10150049
EL16XC1S036-230B	TXV	35,400	16.00	13.00	CX35-48C	EL296UH090XE48C	10150050
EL16XC1S036-230B	TXV	35,400	16.00	13.00	CX35-48C	EL296UH090XV36C	10150051
EL16XC1S036-230B	TXV	35,200	16.00	13.00	CX35-48C	EL296UH090XV48C	10150052
EL16XC1S036-230B	TXV	35,600	16.00	13.00	CX35-48C	EL296UH110XE60C	10150053
EL16XC1S036-230B	TXV	35,400	16.00	13.00	CX35-48C	EL296UH110XV48C	10150054
EL16XC1S036-230B	TXV	35,800	16.00	13.00	CX35-48C	EL296UH110XV60C	10150055
EL16XC1S036-230B	TXV	35,800	16.00	13.00	CX35-48C	SL280UH090V60C	10150056
EL16XC1S036-230B	TXV	35,800	16.00	13.00	CX35-48C	SL280UH090XV60C	10150057
EL16XC1S036-230B	TXV	35,600	16.00	13.00	CX35-48C	SL280UH110V60C	10150058
EL16XC1S036-230B	TXV	35,600	16.00	13.00	CX35-48C	SL280UH110XV60C	10150059
EL16XC1S036-230B	TXV	35,400	16.00	13.00	CX35-48C	SLP98UH090XV36C	10150060
EL16XC1S036-230B	TXV	35,200	16.00	13.00	CX35-48C	SLP98UH090XV48C	10150061
EL16XC1S036-230B	TXV	35,800	16.00	13.00	CX35-48C	SLP98UH110XV60C	10150062
EL16XC1S036-230B	TXV	34,800	14.50	12.20	CX35-48C		10150044
EL16XC1S036-230B	TXV	36,000	16.00	13.00	CX35-49C	EL180UH090E60C	10150064
EL16XC1S036-230B	TXV	35,600	16.00	13.00	CX35-49C	EL180UH110E60C	10150065
EL16XC1S036-230B	TXV	35,600	16.00	13.00	CX35-49C	EL180UH110XE60C	10150066
EL16XC1S036-230B	TXV	35,600	16.00	13.00	CX35-49C	EL195UH090XE48C	10150067
EL16XC1S036-230B	TXV	36,000	16.00	13.00	CX35-49C	EL195UH110XE60C	10150068
EL16XC1S036-230B	TXV	35,600	16.00	13.00	CX35-49C	EL296UH090XE48C	10150069
EL16XC1S036-230B	TXV	35,800	16.00	13.00	CX35-49C	EL296UH090XV36C	10150070
EL16XC1S036-230B	TXV	35,600	16.00	13.00	CX35-49C	EL296UH090XV48C	10150071
EL16XC1S036-230B	TXV	36,000	16.00	13.00	CX35-49C	EL296UH110XE60C	10150072
EL16XC1S036-230B	TXV	35,800	16.00	13.00	CX35-49C	EL296UH110XV48C	10150073
EL16XC1S036-230B	TXV	36,000	16.00	13.00	CX35-49C	EL296UH110XV60C	10150074
EL16XC1S036-230B	TXV	36,000	16.00	13.00	CX35-49C	SL280UH090V60C	10150075
EL16XC1S036-230B	TXV	36,000	16.00	13.00	CX35-49C	SL280UH090XV60C	10150076
EL16XC1S036-230B	TXV	36,000	16.00	13.00	CX35-49C	SL280UH110V60C	10150077
EL16XC1S036-230B	TXV	36,000	16.00	13.00	CX35-49C	SL280UH110XV60C	10150078
EL16XC1S036-230B	TXV	35,800	16.00	13.00	CX35-49C	SLP98UH090XV36C	10150079
EL16XC1S036-230B	TXV	35,600	16.00	13.00	CX35-49C	SLP98UH090XV48C	10150080
EL16XC1S036-230B	TXV	36,000	16.00	13.00	CX35-49C	SLP98UH110XV60C	10150081
EL16XC1S036-230B	TXV	35,200	14.50	12.20	CX35-49C		10150063
EL16XC1S036-230B	TXV	35,400	16.00	13.00	CX35-50/60C	EL180UH090E60C	10150083
EL16XC1S036-230B	TXV	35,000	16.00	13.00	CX35-50/60C	EL180UH110E60C	10150084
EL16XC1S036-230B	TXV	35,000	16.00	13.00	CX35-50/60C	EL180UH110XE60C	10150085
EL16XC1S036-230B	TXV	35,200	16.00	13.00	CX35-50/60C	EL195UH090XE48C	10150086
EL16XC1S036-230B	TXV	35,400	16.00	13.00	CX35-50/60C	EL195UH110XE60C	10150087
EL16XC1S036-230B	TXV	35,200	16.00	13.00	CX35-50/60C	EL296UH090XE48C	10150088
EL16XC1S036-230B	TXV	35,200	16.00	13.00	CX35-50/60C	EL296UH090XV36C	10150089
EL16XC1S036-230B	TXV	35,000	16.00	13.00	CX35-50/60C	EL296UH090XV48C	10150090
EL16XC1S036-230B	TXV	35,400	16.00	13.00	CX35-50/60C	EL296UH110XE60C	10150091
EL16XC1S036-230B	TXV	35,200	16.00	13.00	CX35-50/60C	EL296UH110XV48C	10150092
EL16XC1S036-230B	TXV	35,600	16.00	13.00	CX35-50/60C	EL296UH110XV60C	10150093

NOTES:

TXV = Matched with Thermostatic Expansion Valve.

RFC = Matched with RFC metering device.

AHRI certified to AHRI Standard 210/240 (with 25 ft. of connecting refrigerant lines); 95°F outdoor air temperature, 80°F db / 67°F wb entering evaporator air.

All ratings include the use of a blower time delay relay (TDR). All Lennox variable-speed furnaces and Air Handlers have time delay capabilities. Other Furnaces and Air Handlers may require an optional time delay relay (**58M81**) for field installation. See furnace or air handler specifications to determine if relay is needed.

Also see Expansion Valve Kit Usage Table.

AHRI SYSTEM MATCHES - NORTH / SOUTH REGIONS - S036

NOTE - For the latest up-to-date system matches please visit the AHRI web site at <http://www.ahridirectory.org>

Model No.	Expansion Device	Capacity	SEER	EER	Coil or Air Handler	Furnace	AHRI Reference
EL16XC1S036-230B	TXV	35,600	16.00	13.00	CX35-50/60C	SL280UH090V60C	10150094
EL16XC1S036-230B	TXV	35,600	16.00	13.00	CX35-50/60C	SL280UH090XV60C	10150095
EL16XC1S036-230B	TXV	35,400	16.00	13.00	CX35-50/60C	SL280UH110V60C	10150096
EL16XC1S036-230B	TXV	35,400	16.00	13.00	CX35-50/60C	SL280UH110XV60C	10150097
EL16XC1S036-230B	TXV	35,200	16.00	13.00	CX35-50/60C	SLP98UH090XV36C	10150098
EL16XC1S036-230B	TXV	35,000	16.00	13.00	CX35-50/60C	SLP98UH090XV48C	10150099
EL16XC1S036-230B	TXV	35,600	16.00	13.00	CX35-50/60C	SLP98UH110XV60C	10150100
EL16XC1S036-230B	TXV	34,600	14.50	12.20	CX35-50/60C		10150082

NOTES:

TXV = Matched with Thermostatic Expansion Valve.

RFC = Matched with RFC metering device.

AHRI certified to AHRI Standard 210/240 (with 25 ft. of connecting refrigerant lines); 95°F outdoor air temperature, 80°F db / 67°F wb entering evaporator air.

All ratings include the use of a blower time delay relay (TDR). All Lennox variable-speed furnaces and Air Handlers have time delay capabilities. Other Furnaces and Air Handlers may require an optional time delay relay (**58M81**) for field installation. See furnace or air handler specifications to determine if relay is needed.

Also see Expansion Valve Kit Usage Table.

AHRI SYSTEM MATCHES - SOUTHWEST REGION - 036

NOTE - For the latest up-to-date system matches please visit the AHRI web site at <http://www.ahridirectory.org>

Model No.	Expansion Device	Capacity	SEER	EER	Coil or Air Handler	Furnace	AHRI Reference
EL16XC1S036-230B	RFC	34,200	14.25	12.20	C33-38A		9125506
EL16XC1S036-230B	RFC	34,200	14.25	12.20	C33-38B		9125522
EL16XC1S036-230B	RFC	34,400	14.25	12.20	C33-43		9125552
EL16XC1S036-230B	RFC	34,800	14.50	12.20	C33-49		9125613
EL16XC1S036-230B	RFC	34,200	14.25	12.20	C33-50/60C		9125633
EL16XC1S036-230B	RFC	34,200	14.25	12.20	CH33-31B		9125853
EL16XC1S036-230B	RFC	35,000	14.50	12.20	CH33-43B		9125915
EL16XC1S036-230B	RFC	34,200	14.25	12.20	CH33-44/48B		9125949
EL16XC1S036-230B	RFC	34,400	14.25	12.20	CH33-48		9125969
EL16XC1S036-230B	RFC	34,800	14.50	12.20	CH33-49		9125989
EL16XC1S036-230B	RFC	34,600	14.50	12.20	CH33-50/60C		9126009
EL16XC1S036-230B	TXV	34,600	15.50	12.50	C33-31A	EL180UH045E36A	9125454
EL16XC1S036-230B	TXV	34,600	15.50	12.50	C33-31A	EL180UH045XE36A	9125455
EL16XC1S036-230B	TXV	34,600	15.10	12.50	C33-31A	SL280UH070V36A	9125456
EL16XC1S036-230B	TXV	34,600	15.10	12.50	C33-31A	SL280UH070XV36A	9125457
EL16XC1S036-230B	TXV	34,200	14.50	12.00	C33-31A		9126439
EL16XC1S036-230B	TXV	34,600	15.10	12.50	C33-31B	EL180UH070E36B	9125458
EL16XC1S036-230B	TXV	34,600	15.10	12.50	C33-31B	EL180UH070XE36B	9125459
EL16XC1S036-230B	TXV	34,400	15.50	12.50	C33-31B	EL180UH090E48B	9125460
EL16XC1S036-230B	TXV	34,400	15.50	12.50	C33-31B	EL180UH090XE48B	9125461
EL16XC1S036-230B	TXV	34,400	14.50	12.20	C33-31B	EL195UH045XE36B	9125462
EL16XC1S036-230B	TXV	34,200	15.10	12.50	C33-31B	EL195UH070XE36B	9125463
EL16XC1S036-230B	TXV	34,400	14.50	12.20	C33-31B	EL296UH045XE36B	9125464
EL16XC1S036-230B	TXV	34,400	15.10	12.50	C33-31B	EL296UH045XV36B	9125465
EL16XC1S036-230B	TXV	34,200	15.10	12.50	C33-31B	EL296UH070XE36B	9125466
EL16XC1S036-230B	TXV	34,600	15.10	12.50	C33-31B	EL296UH070XV36B	9125467
EL16XC1S036-230B	TXV	34,600	16.00	13.00	C33-31B	SL280UH090V36B	9125468
EL16XC1S036-230B	TXV	34,600	15.50	12.50	C33-31B	SL280UH090V48B	9125469
EL16XC1S036-230B	TXV	34,600	15.50	12.50	C33-31B	SL280UH090XV48B	9125470
EL16XC1S036-230B	TXV	34,600	15.10	12.50	C33-31B	SLP98UH070XV36B	9125471
EL16XC1S036-230B	TXV	34,200	14.50	12.00	C33-31B		9126440
EL16XC1S036-230B	TXV	33,600	14.50	12.20	C33-36A	EL180UH045E36A	9125472
EL16XC1S036-230B	TXV	33,600	14.50	12.20	C33-36A	EL180UH045XE36A	9125473
EL16XC1S036-230B	TXV	33,200	15.10	12.50	C33-36A	SL280UH070V36A	9125474
EL16XC1S036-230B	TXV	33,200	15.10	12.50	C33-36A	SL280UH070XV36A	9125475
EL16XC1S036-230B	TXV	33,400	15.50	12.50	C33-36B	EL180UH070E36B	9125476
EL16XC1S036-230B	TXV	33,400	15.50	12.50	C33-36B	EL180UH070XE36B	9125477
EL16XC1S036-230B	TXV	33,800	15.50	12.50	C33-36B	EL180UH090E48B	9125478
EL16XC1S036-230B	TXV	33,800	15.50	12.50	C33-36B	EL180UH090XE48B	9125479
EL16XC1S036-230B	TXV	33,000	15.10	12.20	C33-36B	EL195UH045XE36B	9125480
EL16XC1S036-230B	TXV	33,400	15.10	12.50	C33-36B	EL195UH070XE36B	9125481
EL16XC1S036-230B	TXV	33,000	15.10	12.20	C33-36B	EL296UH045XE36B	9125482
EL16XC1S036-230B	TXV	33,000	14.50	12.20	C33-36B	EL296UH045XV36B	9125483
EL16XC1S036-230B	TXV	33,400	15.10	12.50	C33-36B	EL296UH070XE36B	9125484
EL16XC1S036-230B	TXV	33,200	15.10	12.50	C33-36B	EL296UH070XV36B	9125485
EL16XC1S036-230B	TXV	33,600	15.50	12.50	C33-36B	SL280UH090V36B	9125486
EL16XC1S036-230B	TXV	33,600	15.50	12.50	C33-36B	SL280UH090V48B	9125487
EL16XC1S036-230B	TXV	33,600	15.50	12.50	C33-36B	SL280UH090XV48B	9125488
EL16XC1S036-230B	TXV	33,200	15.10	12.50	C33-36B	SLP98UH070XV36B	9125489

NOTES:

TXV = Matched with Thermostatic Expansion Valve.

RFC = Matched with RFC metering device.

AHRI certified to AHRI Standard 210/240 (with 25 ft. of connecting refrigerant lines); 95°F outdoor air temperature, 80°F db / 67°F wb entering evaporator air.

All ratings include the use of a blower time delay relay (TDR). All Lennox variable-speed furnaces and Air Handlers have time delay capabilities. Other Furnaces and Air Handlers may require an optional time delay relay (**58M81**) for field installation. See furnace or air handler specifications to determine if relay is needed.

Also see Expansion Valve Kit Usage Table.

AHRI SYSTEM MATCHES - SOUTHWEST REGION - 036

NOTE - For the latest up-to-date system matches please visit the AHRI web site at <http://www.ahridirectory.org>

Model No.	Expansion Device	Capacity	SEER	EER	Coil or Air Handler	Furnace	AHRI Reference
EL16XC1S036-230B	TXV	33,800	15.50	12.50	C33-36C	EL180UH090E60C	9125490
EL16XC1S036-230B	TXV	33,400	15.50	12.50	C33-36C	EL180UH110E60C	9125491
EL16XC1S036-230B	TXV	33,400	15.50	12.50	C33-36C	EL180UH110XE60C	9125492
EL16XC1S036-230B	TXV	33,600	15.50	12.50	C33-36C	EL195UH090XE48C	9125493
EL16XC1S036-230B	TXV	33,800	15.50	12.50	C33-36C	EL195UH110XE60C	9125494
EL16XC1S036-230B	TXV	33,600	15.50	12.50	C33-36C	EL296UH090XE48C	9125495
EL16XC1S036-230B	TXV	33,600	15.10	12.50	C33-36C	EL296UH090XV36C	9125496
EL16XC1S036-230B	TXV	33,400	15.50	12.50	C33-36C	EL296UH090XV48C	9125497
EL16XC1S036-230B	TXV	33,800	15.50	12.50	C33-36C	EL296UH110XE60C	9125498
EL16XC1S036-230B	TXV	33,600	15.50	12.50	C33-36C	EL296UH110XV48C	9125499
EL16XC1S036-230B	TXV	33,600	15.10	12.50	C33-36C	SLP98UH090XV36C	9125500
EL16XC1S036-230B	TXV	33,400	15.50	12.50	C33-36C	SLP98UH090XV48C	9125501
EL16XC1S036-230B	TXV	35,000	15.50	12.50	C33-38A	EL180UH045E36A	9125502
EL16XC1S036-230B	TXV	35,000	15.50	12.50	C33-38A	EL180UH045XE36A	9125503
EL16XC1S036-230B	TXV	35,000	15.50	12.50	C33-38A	SL280UH070V36A	9125504
EL16XC1S036-230B	TXV	35,000	15.50	12.50	C33-38A	SL280UH070XV36A	9125505
EL16XC1S036-230B	TXV	34,600	14.50	12.20	C33-38A		9125507
EL16XC1S036-230B	TXV	34,800	16.00	13.00	C33-38B	EL180UH070E36B	9125508
EL16XC1S036-230B	TXV	34,800	16.00	13.00	C33-38B	EL180UH070XE36B	9125509
EL16XC1S036-230B	TXV	35,200	16.00	13.00	C33-38B	EL180UH090E48B	9125510
EL16XC1S036-230B	TXV	35,200	16.00	13.00	C33-38B	EL180UH090XE48B	9125511
EL16XC1S036-230B	TXV	34,800	15.10	12.50	C33-38B	EL195UH045XE36B	9125512
EL16XC1S036-230B	TXV	34,800	15.50	12.50	C33-38B	EL195UH070XE36B	9125513
EL16XC1S036-230B	TXV	34,800	15.10	12.50	C33-38B	EL296UH045XE36B	9125514
EL16XC1S036-230B	TXV	35,000	15.50	12.50	C33-38B	EL296UH045XV36B	9125515
EL16XC1S036-230B	TXV	34,800	15.50	12.50	C33-38B	EL296UH070XE36B	9125516
EL16XC1S036-230B	TXV	35,000	15.50	12.50	C33-38B	EL296UH070XV36B	9125517
EL16XC1S036-230B	TXV	35,000	16.00	13.00	C33-38B	SL280UH090V36B	9125518
EL16XC1S036-230B	TXV	35,200	16.00	13.00	C33-38B	SL280UH090V48B	9125519
EL16XC1S036-230B	TXV	35,200	16.00	13.00	C33-38B	SL280UH090XV48B	9125520
EL16XC1S036-230B	TXV	35,000	15.50	12.50	C33-38B	SLP98UH070XV36B	9125521
EL16XC1S036-230B	TXV	34,600	14.50	12.20	C33-38B		9125523
EL16XC1S036-230B	TXV	33,400	15.50	12.50	C33-42	EL180UH070E36B	9125524
EL16XC1S036-230B	TXV	33,400	15.50	12.50	C33-42	EL180UH070XE36B	9125525
EL16XC1S036-230B	TXV	33,800	15.50	12.50	C33-42	EL180UH090E48B	9125526
EL16XC1S036-230B	TXV	33,800	15.50	12.50	C33-42	EL180UH090XE48B	9125527
EL16XC1S036-230B	TXV	33,000	15.10	12.20	C33-42	EL195UH045XE36B	9125528
EL16XC1S036-230B	TXV	33,400	15.10	12.50	C33-42	EL195UH070XE36B	9125529
EL16XC1S036-230B	TXV	33,000	15.10	12.20	C33-42	EL296UH045XE36B	9125530
EL16XC1S036-230B	TXV	33,400	15.10	12.50	C33-42	EL296UH070XE36B	9125532
EL16XC1S036-230B	TXV	33,200	15.10	12.50	C33-42	EL296UH070XV36B	9125533
EL16XC1S036-230B	TXV	33,600	15.50	12.50	C33-42	SL280UH090V36B	9125534
EL16XC1S036-230B	TXV	33,600	15.50	12.50	C33-42	SL280UH090V48B	9125535
EL16XC1S036-230B	TXV	33,600	15.50	12.50	C33-42	SL280UH090XV48B	9125536
EL16XC1S036-230B	TXV	33,200	15.10	12.50	C33-42	SLP98UH070XV36B	9125537
EL16XC1S036-230B	TXV	35,200	16.00	13.00	C33-43B	EL180UH070E36B	9125538
EL16XC1S036-230B	TXV	35,200	16.00	13.00	C33-43B	EL180UH070XE36B	9125539
EL16XC1S036-230B	TXV	35,600	16.00	13.00	C33-43B	EL180UH090E48B	9125540

NOTES:

TXV = Matched with Thermostatic Expansion Valve.

RFC = Matched with RFC metering device.

AHRI certified to AHRI Standard 210/240 (with 25 ft. of connecting refrigerant lines); 95°F outdoor air temperature, 80°F db / 67°F wb entering evaporator air. All ratings include the use of a blower time delay relay (TDR). All Lennox variable-speed furnaces and Air Handlers have time delay capabilities. Other Furnaces and Air Handlers may require an optional time delay relay (**58M81**) for field installation. See furnace or air handler specifications to determine if relay is needed.

Also see Expansion Valve Kit Usage Table.

AHRI SYSTEM MATCHES - SOUTHWEST REGION - 036

NOTE - For the latest up-to-date system matches please visit the AHRI web site at <http://www.ahridirectory.org>

Model No.	Expansion Device	Capacity	SEER	EER	Coil or Air Handler	Furnace	AHRI Reference
EL16XC1S036-230B	TXV	35,600	16.00	13.00	C33-43B	EL180UH090XE48B	9125541
EL16XC1S036-230B	TXV	35,000	15.10	12.50	C33-43B	EL195UH045XE36B	9125542
EL16XC1S036-230B	TXV	35,000	16.00	13.00	C33-43B	EL195UH070XE36B	9125543
EL16XC1S036-230B	TXV	35,000	15.10	12.50	C33-43B	EL296UH045XE36B	9125544
EL16XC1S036-230B	TXV	35,200	15.50	12.50	C33-43B	EL296UH045XV36B	9125545
EL16XC1S036-230B	TXV	35,000	16.00	13.00	C33-43B	EL296UH070XE36B	9125546
EL16XC1S036-230B	TXV	35,200	15.50	12.50	C33-43B	EL296UH070XV36B	9125547
EL16XC1S036-230B	TXV	35,200	16.00	13.00	C33-43B	SL280UH090V36B	9125548
EL16XC1S036-230B	TXV	35,400	16.00	13.00	C33-43B	SL280UH090V48B	9125549
EL16XC1S036-230B	TXV	35,400	16.00	13.00	C33-43B	SL280UH090XV48B	9125550
EL16XC1S036-230B	TXV	35,200	15.50	12.50	C33-43B	SLP98UH070XV36B	9125551
EL16XC1S036-230B	TXV	34,800	14.50	12.20	C33-43B		9125553
EL16XC1S036-230B	TXV	35,600	16.00	13.00	C33-43C	EL180UH090E60C	9125554
EL16XC1S036-230B	TXV	35,200	16.00	13.00	C33-43C	EL180UH110E60C	9125555
EL16XC1S036-230B	TXV	35,200	16.00	13.00	C33-43C	EL180UH110XE60C	9125556
EL16XC1S036-230B	TXV	35,200	16.00	13.00	C33-43C	EL195UH090XE48C	9125557
EL16XC1S036-230B	TXV	35,600	16.00	13.00	C33-43C	EL195UH110XE60C	9125558
EL16XC1S036-230B	TXV	35,200	16.00	13.00	C33-43C	EL296UH090XE48C	9125559
EL16XC1S036-230B	TXV	35,400	16.00	13.00	C33-43C	EL296UH090XV36C	9125560
EL16XC1S036-230B	TXV	35,200	16.00	13.00	C33-43C	EL296UH090XV48C	9125561
EL16XC1S036-230B	TXV	35,600	16.00	13.00	C33-43C	EL296UH110XE60C	9125562
EL16XC1S036-230B	TXV	35,400	16.00	13.00	C33-43C	EL296UH110XV48C	9125563
EL16XC1S036-230B	TXV	35,600	16.00	13.00	C33-43C	EL296UH110XV60C	9125564
EL16XC1S036-230B	TXV	35,800	16.00	13.00	C33-43C	SL280UH090V60C	9125565
EL16XC1S036-230B	TXV	35,800	16.00	13.00	C33-43C	SL280UH090XV60C	9125566
EL16XC1S036-230B	TXV	35,600	16.00	13.00	C33-43C	SL280UH110V60C	9125567
EL16XC1S036-230B	TXV	35,600	16.00	13.00	C33-43C	SL280UH110XV60C	9125568
EL16XC1S036-230B	TXV	35,400	16.00	13.00	C33-43C	SLP98UH090XV36C	9125569
EL16XC1S036-230B	TXV	35,200	16.00	13.00	C33-43C	SLP98UH090XV48C	9125570
EL16XC1S036-230B	TXV	35,600	16.00	13.00	C33-43C	SLP98UH110XV60C	9125571
EL16XC1S036-230B	TXV	34,400	14.25	12.20	C33-43C		9126453
EL16XC1S036-230B	TXV	34,800	14.50	12.20	C33-43C		9125572
EL16XC1S036-230B	TXV	34,200	14.50	12.00	C33-44C		9126441
EL16XC1S036-230B	TXV	34,600	16.00	13.00	C33-48B	EL180UH070E36B	9125573
EL16XC1S036-230B	TXV	34,600	16.00	13.00	C33-48B	EL180UH070XE36B	9125574
EL16XC1S036-230B	TXV	35,000	16.00	13.00	C33-48B	EL180UH090E48B	9125575
EL16XC1S036-230B	TXV	35,000	16.00	13.00	C33-48B	EL180UH090XE48B	9125576
EL16XC1S036-230B	TXV	34,200	15.50	12.50	C33-48B	EL195UH045XE36B	9125577
EL16XC1S036-230B	TXV	34,400	15.50	12.50	C33-48B	EL195UH070XE36B	9125578
EL16XC1S036-230B	TXV	34,200	15.50	12.50	C33-48B	EL296UH045XE36B	9125579
EL16XC1S036-230B	TXV	34,600	15.10	12.50	C33-48B	EL296UH045XV36B	9125580
EL16XC1S036-230B	TXV	34,400	15.50	12.50	C33-48B	EL296UH070XE36B	9125581
EL16XC1S036-230B	TXV	34,600	15.50	12.50	C33-48B	EL296UH070XV36B	9125582
EL16XC1S036-230B	TXV	34,800	16.00	13.00	C33-48B	SL280UH090V36B	9125583
EL16XC1S036-230B	TXV	34,800	16.00	13.00	C33-48B	SL280UH090V48B	9125584
EL16XC1S036-230B	TXV	34,800	16.00	13.00	C33-48B	SL280UH090XV48B	9125585
EL16XC1S036-230B	TXV	34,600	15.50	12.50	C33-48B	SLP98UH070XV36B	9125586
EL16XC1S036-230B	TXV	34,200	14.50	12.00	C33-48B		9126442
EL16XC1S036-230B	TXV	34,600	16.00	13.00	C33-48C	EL195UH090XE48C	9125587

NOTES:

TXV = Matched with Thermostatic Expansion Valve.

RFC = Matched with RFC metering device.

AHRI certified to AHRI Standard 210/240 (with 25 ft. of connecting refrigerant lines); 95°F outdoor air temperature, 80°F db / 67°F wb entering evaporator air.

All ratings include the use of a blower time delay relay (TDR). All Lennox variable-speed furnaces and Air Handlers have time delay capabilities. Other Furnaces and Air Handlers may require an optional time delay relay (**58M81**) for field installation. See furnace or air handler specifications to determine if relay is needed.

Also see Expansion Valve Kit Usage Table.

AHRI SYSTEM MATCHES - SOUTHWEST REGION - 036

NOTE - For the latest up-to-date system matches please visit the AHRI web site at <http://www.ahridirectory.org>

Model No.	Expansion Device	Capacity	SEER	EER	Coil or Air Handler	Furnace	AHRI Reference
EL16XC1S036-230B	TXV	35,000	16.00	13.00	C33-48C	EL195UH110XE60C	9125588
EL16XC1S036-230B	TXV	34,600	16.00	13.00	C33-48C	EL296UH090XE48C	9125589
EL16XC1S036-230B	TXV	34,800	16.00	13.00	C33-48C	EL296UH090XV36C	9125590
EL16XC1S036-230B	TXV	34,600	16.00	13.00	C33-48C	EL296UH090XV48C	9125591
EL16XC1S036-230B	TXV	35,000	16.00	13.00	C33-48C	EL296UH110XE60C	9125592
EL16XC1S036-230B	TXV	34,800	16.00	13.00	C33-48C	SLP98UH090XV36C	9125593
EL16XC1S036-230B	TXV	34,600	16.00	13.00	C33-48C	SLP98UH090XV48C	9125594
EL16XC1S036-230B	TXV	34,200	14.50	12.00	C33-48C		9126443
EL16XC1S036-230B	TXV	35,800	16.00	13.00	C33-49	EL180UH090E60C	9125595
EL16XC1S036-230B	TXV	35,600	16.00	13.00	C33-49	EL180UH110E60C	9125596
EL16XC1S036-230B	TXV	35,600	16.00	13.00	C33-49	EL180UH110XE60C	9125597
EL16XC1S036-230B	TXV	35,600	16.00	13.00	C33-49	EL195UH090XE48C	9125598
EL16XC1S036-230B	TXV	36,000	16.00	13.00	C33-49	EL195UH110XE60C	9125599
EL16XC1S036-230B	TXV	35,600	16.00	13.00	C33-49	EL296UH090XE48C	9125600
EL16XC1S036-230B	TXV	35,800	16.00	13.00	C33-49	EL296UH090XV36C	9125601
EL16XC1S036-230B	TXV	35,600	16.00	13.00	C33-49	EL296UH090XV48C	9125602
EL16XC1S036-230B	TXV	36,000	16.00	13.00	C33-49	EL296UH110XE60C	9125603
EL16XC1S036-230B	TXV	35,800	16.00	13.00	C33-49	EL296UH110XV48C	9125604
EL16XC1S036-230B	TXV	36,000	16.00	13.00	C33-49	EL296UH110XV60C	9125605
EL16XC1S036-230B	TXV	36,000	16.00	13.00	C33-49	SL280UH090V60C	9125606
EL16XC1S036-230B	TXV	36,000	16.00	13.00	C33-49	SL280UH090XV60C	9125607
EL16XC1S036-230B	TXV	36,000	16.00	13.00	C33-49	SL280UH110V60C	9125608
EL16XC1S036-230B	TXV	36,000	16.00	13.00	C33-49	SL280UH110XV60C	9125609
EL16XC1S036-230B	TXV	35,800	16.00	13.00	C33-49	SLP98UH090XV36C	9125610
EL16XC1S036-230B	TXV	35,600	16.00	13.00	C33-49	SLP98UH090XV48C	9125611
EL16XC1S036-230B	TXV	36,000	16.00	13.00	C33-49	SLP98UH110XV60C	9125612
EL16XC1S036-230B	TXV	35,200	14.50	12.20	C33-49		9125614
EL16XC1S036-230B	TXV	35,400	16.00	13.00	C33-50/60C	EL180UH090E60C	9125615
EL16XC1S036-230B	TXV	35,000	16.00	13.00	C33-50/60C	EL180UH110E60C	9125616
EL16XC1S036-230B	TXV	35,000	16.00	13.00	C33-50/60C	EL180UH110XE60C	9125617
EL16XC1S036-230B	TXV	35,000	16.00	13.00	C33-50/60C	EL195UH090XE48C	9125618
EL16XC1S036-230B	TXV	35,400	16.00	13.00	C33-50/60C	EL195UH110XE60C	9125619
EL16XC1S036-230B	TXV	35,000	16.00	13.00	C33-50/60C	EL296UH090XE48C	9125620
EL16XC1S036-230B	TXV	35,200	16.00	13.00	C33-50/60C	EL296UH090XV36C	9125621
EL16XC1S036-230B	TXV	35,000	16.00	13.00	C33-50/60C	EL296UH090XV48C	9125622
EL16XC1S036-230B	TXV	35,400	16.00	13.00	C33-50/60C	EL296UH110XE60C	9125623
EL16XC1S036-230B	TXV	35,200	16.00	13.00	C33-50/60C	EL296UH110XV48C	9125624
EL16XC1S036-230B	TXV	35,400	16.00	13.00	C33-50/60C	EL296UH110XV60C	9125625
EL16XC1S036-230B	TXV	35,600	16.00	13.00	C33-50/60C	SL280UH090V60C	9125626
EL16XC1S036-230B	TXV	35,600	16.00	13.00	C33-50/60C	SL280UH090XV60C	9125627
EL16XC1S036-230B	TXV	35,400	16.00	13.00	C33-50/60C	SL280UH110V60C	9125628
EL16XC1S036-230B	TXV	35,400	16.00	13.00	C33-50/60C	SL280UH110XV60C	9125629
EL16XC1S036-230B	TXV	35,200	16.00	13.00	C33-50/60C	SLP98UH090XV36C	9125630
EL16XC1S036-230B	TXV	35,000	16.00	13.00	C33-50/60C	SLP98UH090XV48C	9125631
EL16XC1S036-230B	TXV	35,400	16.00	13.00	C33-50/60C	SLP98UH110XV60C	9125632
EL16XC1S036-230B	TXV	34,600	14.50	12.20	C33-50/60C		9125634
EL16XC1S036-230B	TXV	33,600	15.10	12.20	C35-30/36A	EL180UH045E36A	9125635
EL16XC1S036-230B	TXV	33,600	15.10	12.20	C35-30/36A	EL180UH045XE36A	9125636
EL16XC1S036-230B	TXV	33,400	15.10	12.50	C35-30/36A	SL280UH070V36A	9125637

NOTES:

TXV = Matched with Thermostatic Expansion Valve.

RFC = Matched with RFC metering device.

AHRI certified to AHRI Standard 210/240 (with 25 ft. of connecting refrigerant lines); 95°F outdoor air temperature, 80°F db / 67°F wb entering evaporator air.

All ratings include the use of a blower time delay relay (TDR). All Lennox variable-speed furnaces and Air Handlers have time delay capabilities. Other Furnaces and Air Handlers may require an optional time delay relay (**58M81**) for field installation. See furnace or air handler specifications to determine if relay is needed.

Also see Expansion Valve Kit Usage Table.

AHRI SYSTEM MATCHES - SOUTHWEST REGION - 036

NOTE - For the latest up-to-date system matches please visit the AHRI web site at <http://www.ahridirectory.org>

Model No.	Expansion Device	Capacity	SEER	EER	Coil or Air Handler	Furnace	AHRI Reference
EL16XC1S036-230B	TXV	33,400	15.10	12.50	C35-30/36A	SL280UH070XV36A	9125638
EL16XC1S036-230B	TXV	33,600	15.50	12.50	C35-30/36B	EL180UH070E36B	9125639
EL16XC1S036-230B	TXV	33,600	15.50	12.50	C35-30/36B	EL180UH070XE36B	9125640
EL16XC1S036-230B	TXV	34,000	15.50	12.50	C35-30/36B	EL180UH090E48B	9125641
EL16XC1S036-230B	TXV	34,000	15.50	12.50	C35-30/36B	EL180UH090XE48B	9125642
EL16XC1S036-230B	TXV	33,200	15.10	12.50	C35-30/36B	EL195UH045XE36B	9125643
EL16XC1S036-230B	TXV	33,200	15.10	12.50	C35-30/36B	EL296UH045XE36B	9125644
EL16XC1S036-230B	TXV	33,200	15.10	12.20	C35-30/36B	EL296UH045XV36B	9125645
EL16XC1S036-230B	TXV	33,400	15.10	12.50	C35-30/36B	EL296UH070XV36B	9125646
EL16XC1S036-230B	TXV	33,600	15.50	12.50	C35-30/36B	SL280UH090V36B	9125647
EL16XC1S036-230B	TXV	33,800	15.50	12.50	C35-30/36B	SL280UH090V48B	9125648
EL16XC1S036-230B	TXV	33,800	15.50	12.50	C35-30/36B	SL280UH090XV48B	9125649
EL16XC1S036-230B	TXV	33,400	15.10	12.50	C35-30/36B	SLP98UH070XV36B	9125650
EL16XC1S036-230B	TXV	34,000	15.50	12.50	C35-30/36C	EL180UH090E60C	9125651
EL16XC1S036-230B	TXV	33,600	15.50	12.50	C35-30/36C	EL180UH110E60C	9125652
EL16XC1S036-230B	TXV	33,600	15.50	12.50	C35-30/36C	EL180UH110XE60C	9125653
EL16XC1S036-230B	TXV	33,600	15.50	12.50	C35-30/36C	EL195UH090XE48C	9125654
EL16XC1S036-230B	TXV	34,000	15.50	12.50	C35-30/36C	EL195UH110XE60C	9125655
EL16XC1S036-230B	TXV	33,600	15.50	12.50	C35-30/36C	EL296UH090XE48C	9125656
EL16XC1S036-230B	TXV	33,800	15.50	12.50	C35-30/36C	EL296UH090XV36C	9125657
EL16XC1S036-230B	TXV	33,600	15.50	12.50	C35-30/36C	EL296UH090XV48C	9125658
EL16XC1S036-230B	TXV	34,000	15.50	12.50	C35-30/36C	EL296UH110XE60C	9125659
EL16XC1S036-230B	TXV	33,800	15.50	12.50	C35-30/36C	EL296UH110XV48C	9125660
EL16XC1S036-230B	TXV	33,800	15.50	12.50	C35-30/36C	SLP98UH090XV36C	9125661
EL16XC1S036-230B	TXV	33,600	15.50	12.50	C35-30/36C	SLP98UH090XV48C	9125662
EL16XC1S036-230B	TXV	34,000	15.50	12.50	C35-30/36C	SLP98UH110XV60C	9125663
EL16XC1S036-230B	TXV	34,800	15.50	12.50	C35-30A	EL180UH045E36A	9125664
EL16XC1S036-230B	TXV	34,800	15.50	12.50	C35-30A	EL180UH045XE36A	9125665
EL16XC1S036-230B	TXV	34,600	15.50	12.50	C35-30A	SL280UH070V36A	9125666
EL16XC1S036-230B	TXV	34,600	15.50	12.50	C35-30A	SL280UH070XV36A	9125667
EL16XC1S036-230B	TXV	34,400	16.00	13.00	C35-30B	EL180UH070E36B	9125668
EL16XC1S036-230B	TXV	34,400	16.00	13.00	C35-30B	EL180UH070XE36B	9125669
EL16XC1S036-230B	TXV	34,600	15.50	12.50	C35-30B	EL180UH090E48B	9125670
EL16XC1S036-230B	TXV	34,600	15.50	12.50	C35-30B	EL180UH090XE48B	9125671
EL16XC1S036-230B	TXV	34,400	14.50	12.20	C35-30B	EL195UH045XE36B	9125672
EL16XC1S036-230B	TXV	34,400	15.50	12.50	C35-30B	EL195UH070XE36B	9125673
EL16XC1S036-230B	TXV	34,400	14.50	12.20	C35-30B	EL296UH045XE36B	9125674
EL16XC1S036-230B	TXV	34,600	15.10	12.50	C35-30B	EL296UH045XV36B	9125675
EL16XC1S036-230B	TXV	34,400	15.50	12.50	C35-30B	EL296UH070XE36B	9125676
EL16XC1S036-230B	TXV	34,600	15.50	12.50	C35-30B	EL296UH070XV36B	9125677
EL16XC1S036-230B	TXV	34,800	16.00	13.00	C35-30B	SL280UH090V36B	9125678
EL16XC1S036-230B	TXV	34,800	16.00	13.00	C35-30B	SL280UH090V48B	9125679
EL16XC1S036-230B	TXV	34,800	16.00	13.00	C35-30B	SL280UH090XV48B	9125680
EL16XC1S036-230B	TXV	34,600	15.50	12.50	C35-30B	SLP98UH070XV36B	9125681
EL16XC1S036-230B	TXV	35,200	15.50	12.50	C35-36A	EL180UH045E36A	9125682
EL16XC1S036-230B	TXV	35,200	15.50	12.50	C35-36A	EL180UH045XE36A	9125683
EL16XC1S036-230B	TXV	35,000	15.50	12.50	C35-36A	SL280UH070V36A	9125684
EL16XC1S036-230B	TXV	35,000	15.50	12.50	C35-36A	SL280UH070XV36A	9125685
EL16XC1S036-230B	TXV	34,600	14.50	12.20	C35-36A		9125686

NOTES:

TXV = Matched with Thermostatic Expansion Valve.

RFC = Matched with RFC metering device.

AHRI certified to AHRI Standard 210/240 (with 25 ft. of connecting refrigerant lines); 95°F outdoor air temperature, 80°F db / 67°F wb entering evaporator air.

All ratings include the use of a blower time delay relay (TDR). All Lennox variable-speed furnaces and Air Handlers have time delay capabilities. Other Furnaces and Air Handlers may require an optional time delay relay (**58M81**) for field installation. See furnace or air handler specifications to determine if relay is needed.

Also see Expansion Valve Kit Usage Table.

AHRI SYSTEM MATCHES - SOUTHWEST REGION - 036

NOTE - For the latest up-to-date system matches please visit the AHRI web site at <http://www.ahridirectory.org>

Model No.	Expansion Device	Capacity	SEER	EER	Coil or Air Handler	Furnace	AHRI Reference
EL16XC1S036-230B	TXV	35,000	16.00	13.00	C35-36B	EL180UH070E36B	9125687
EL16XC1S036-230B	TXV	35,000	16.00	13.00	C35-36B	EL180UH070XE36B	9125688
EL16XC1S036-230B	TXV	35,400	16.00	13.00	C35-36B	EL180UH090E48B	9125689
EL16XC1S036-230B	TXV	35,400	16.00	13.00	C35-36B	EL180UH090XE48B	9125690
EL16XC1S036-230B	TXV	34,600	15.50	12.50	C35-36B	EL195UH045XE36B	9125691
EL16XC1S036-230B	TXV	35,000	15.50	12.50	C35-36B	EL195UH070XE36B	9125692
EL16XC1S036-230B	TXV	34,600	15.50	12.50	C35-36B	EL296UH045XE36B	9125693
EL16XC1S036-230B	TXV	35,000	15.50	12.50	C35-36B	EL296UH045XV36B	9125694
EL16XC1S036-230B	TXV	35,000	15.50	12.50	C35-36B	EL296UH070XE36B	9125695
EL16XC1S036-230B	TXV	35,000	15.50	12.50	C35-36B	EL296UH070XV36B	9125696
EL16XC1S036-230B	TXV	35,200	16.00	13.00	C35-36B	SL280UH090V36B	9125697
EL16XC1S036-230B	TXV	35,200	16.00	13.00	C35-36B	SL280UH090V48B	9125698
EL16XC1S036-230B	TXV	35,200	16.00	13.00	C35-36B	SL280UH090XV48B	9125699
EL16XC1S036-230B	TXV	35,000	15.50	12.50	C35-36B	SLP98UH070XV36B	9125700
EL16XC1S036-230B	TXV	34,600	14.50	12.20	C35-36B		9125701
EL16XC1S036-230B	TXV	35,200	16.00	13.00	C35-48B	EL180UH070E36B	9125702
EL16XC1S036-230B	TXV	35,200	16.00	13.00	C35-48B	EL180UH070XE36B	9125703
EL16XC1S036-230B	TXV	35,600	16.00	13.00	C35-48B	EL180UH090E48B	9125704
EL16XC1S036-230B	TXV	35,600	16.00	13.00	C35-48B	EL180UH090XE48B	9125705
EL16XC1S036-230B	TXV	34,800	15.50	12.50	C35-48B	EL195UH045XE36B	9125706
EL16XC1S036-230B	TXV	35,200	16.00	13.00	C35-48B	EL195UH070XE36B	9125707
EL16XC1S036-230B	TXV	34,800	15.50	12.50	C35-48B	EL296UH045XE36B	9125708
EL16XC1S036-230B	TXV	35,200	15.50	12.50	C35-48B	EL296UH045XV36B	9125709
EL16XC1S036-230B	TXV	35,200	16.00	13.00	C35-48B	EL296UH070XE36B	9125710
EL16XC1S036-230B	TXV	35,200	15.50	12.50	C35-48B	EL296UH070XV36B	9125711
EL16XC1S036-230B	TXV	35,400	16.00	13.00	C35-48B	SL280UH090V36B	9125712
EL16XC1S036-230B	TXV	35,400	16.00	13.00	C35-48B	SL280UH090V48B	9125713
EL16XC1S036-230B	TXV	35,400	16.00	13.00	C35-48B	SL280UH090XV48B	9125714
EL16XC1S036-230B	TXV	35,200	15.50	12.50	C35-48B	SLP98UH070XV36B	9125715
EL16XC1S036-230B	TXV	34,800	14.50	12.20	C35-48B		9125716
EL16XC1S036-230B	TXV	35,600	16.00	13.00	C35-48C	EL180UH090E60C	9125717
EL16XC1S036-230B	TXV	35,200	16.00	13.00	C35-48C	EL180UH110E60C	9125718
EL16XC1S036-230B	TXV	35,200	16.00	13.00	C35-48C	EL180UH110XE60C	9125719
EL16XC1S036-230B	TXV	35,400	16.00	13.00	C35-48C	EL195UH090XE48C	9125720
EL16XC1S036-230B	TXV	35,600	16.00	13.00	C35-48C	EL195UH110XE60C	9125721
EL16XC1S036-230B	TXV	35,400	16.00	13.00	C35-48C	EL296UH090XE48C	9125722
EL16XC1S036-230B	TXV	35,400	16.00	13.00	C35-48C	EL296UH090XV36C	9125723
EL16XC1S036-230B	TXV	35,200	16.00	13.00	C35-48C	EL296UH090XV48C	9125724
EL16XC1S036-230B	TXV	35,600	16.00	13.00	C35-48C	EL296UH110XE60C	9125725
EL16XC1S036-230B	TXV	35,400	16.00	13.00	C35-48C	EL296UH110XV48C	9125726
EL16XC1S036-230B	TXV	35,800	16.00	13.00	C35-48C	EL296UH110XV60C	9125727
EL16XC1S036-230B	TXV	35,800	16.00	13.00	C35-48C	SL280UH090V60C	9125728
EL16XC1S036-230B	TXV	35,800	16.00	13.00	C35-48C	SL280UH090XV60C	9125729
EL16XC1S036-230B	TXV	35,800	16.00	13.00	C35-48C	SL280UH110V60C	9125730
EL16XC1S036-230B	TXV	35,800	16.00	13.00	C35-48C	SL280UH110XV60C	9125731
EL16XC1S036-230B	TXV	35,400	16.00	13.00	C35-48C	SLP98UH090XV36C	9125732
EL16XC1S036-230B	TXV	35,200	16.00	13.00	C35-48C	SLP98UH090XV48C	9125733
EL16XC1S036-230B	TXV	35,800	16.00	13.00	C35-48C	SLP98UH110XV60C	9125734
EL16XC1S036-230B	TXV	34,800	14.50	12.20	C35-48C		9125735

NOTES:

TXV = Matched with Thermostatic Expansion Valve.

RFC = Matched with RFC metering device.

AHRI certified to AHRI Standard 210/240 (with 25 ft. of connecting refrigerant lines); 95°F outdoor air temperature, 80°F db / 67°F wb entering evaporator air. All ratings include the use of a blower time delay relay (TDR). All Lennox variable-speed furnaces and Air Handlers have time delay capabilities. Other Furnaces and Air Handlers may require an optional time delay relay (**58M81**) for field installation. See furnace or air handler specifications to determine if relay is needed.

Also see Expansion Valve Kit Usage Table.

AHRI SYSTEM MATCHES - SOUTHWEST REGION - 036

NOTE - For the latest up-to-date system matches please visit the AHRI web site at <http://www.ahridirectory.org>

Model No.	Expansion Device	Capacity	SEER	EER	Coil or Air Handler	Furnace	AHRI Reference
EL16XC1S036-230B	TXV	36,000	16.00	13.00	C35-49C	EL180UH090E60C	9125736
EL16XC1S036-230B	TXV	35,600	16.00	13.00	C35-49C	EL180UH110E60C	9125737
EL16XC1S036-230B	TXV	35,600	16.00	13.00	C35-49C	EL180UH110XE60C	9125738
EL16XC1S036-230B	TXV	35,600	16.00	13.00	C35-49C	EL195UH090XE48C	9125739
EL16XC1S036-230B	TXV	36,000	16.00	13.00	C35-49C	EL195UH110XE60C	9125740
EL16XC1S036-230B	TXV	35,600	16.00	13.00	C35-49C	EL296UH090XE48C	9125741
EL16XC1S036-230B	TXV	35,800	16.00	13.00	C35-49C	EL296UH090XV36C	9125742
EL16XC1S036-230B	TXV	35,600	16.00	13.00	C35-49C	EL296UH090XV48C	9125743
EL16XC1S036-230B	TXV	36,000	16.00	13.00	C35-49C	EL296UH110XE60C	9125744
EL16XC1S036-230B	TXV	35,800	16.00	13.00	C35-49C	EL296UH110XV48C	9125745
EL16XC1S036-230B	TXV	36,000	16.00	13.00	C35-49C	EL296UH110XV60C	9125746
EL16XC1S036-230B	TXV	36,000	16.00	13.00	C35-49C	SL280UH090V60C	9125747
EL16XC1S036-230B	TXV	36,000	16.00	13.00	C35-49C	SL280UH090XV60C	9125748
EL16XC1S036-230B	TXV	36,000	16.00	13.00	C35-49C	SL280UH110V60C	9125749
EL16XC1S036-230B	TXV	36,000	16.00	13.00	C35-49C	SL280UH110XV60C	9125750
EL16XC1S036-230B	TXV	35,800	16.00	13.00	C35-49C	SLP98UH090XV36C	9125751
EL16XC1S036-230B	TXV	35,600	16.00	13.00	C35-49C	SLP98UH090XV48C	9125752
EL16XC1S036-230B	TXV	36,000	16.00	13.00	C35-49C	SLP98UH110XV60C	9125753
EL16XC1S036-230B	TXV	35,200	14.50	12.20	C35-49C		9125754
EL16XC1S036-230B	TXV	35,400	16.00	13.00	C35-50/60C	EL180UH090E60C	9125755
EL16XC1S036-230B	TXV	35,000	16.00	13.00	C35-50/60C	EL180UH110E60C	9125756
EL16XC1S036-230B	TXV	35,000	16.00	13.00	C35-50/60C	EL180UH110XE60C	9125757
EL16XC1S036-230B	TXV	35,200	16.00	13.00	C35-50/60C	EL195UH090XE48C	9125758
EL16XC1S036-230B	TXV	35,400	16.00	13.00	C35-50/60C	EL195UH110XE60C	9125759
EL16XC1S036-230B	TXV	35,200	16.00	13.00	C35-50/60C	EL296UH090XE48C	9125760
EL16XC1S036-230B	TXV	35,200	16.00	13.00	C35-50/60C	EL296UH090XV36C	9125761
EL16XC1S036-230B	TXV	35,000	16.00	13.00	C35-50/60C	EL296UH090XV48C	9125762
EL16XC1S036-230B	TXV	35,400	16.00	13.00	C35-50/60C	EL296UH110XE60C	9125763
EL16XC1S036-230B	TXV	35,200	16.00	13.00	C35-50/60C	EL296UH110XV48C	9125764
EL16XC1S036-230B	TXV	35,600	16.00	13.00	C35-50/60C	EL296UH110XV60C	9125765
EL16XC1S036-230B	TXV	35,600	16.00	13.00	C35-50/60C	SL280UH090V60C	9125766
EL16XC1S036-230B	TXV	35,600	16.00	13.00	C35-50/60C	SL280UH090XV60C	9125767
EL16XC1S036-230B	TXV	35,400	16.00	13.00	C35-50/60C	SL280UH110V60C	9125768
EL16XC1S036-230B	TXV	35,400	16.00	13.00	C35-50/60C	SL280UH110XV60C	9125769
EL16XC1S036-230B	TXV	35,200	16.00	13.00	C35-50/60C	SLP98UH090XV36C	9125770
EL16XC1S036-230B	TXV	35,000	16.00	13.00	C35-50/60C	SLP98UH090XV48C	9125771
EL16XC1S036-230B	TXV	35,600	16.00	13.00	C35-50/60C	SLP98UH110XV60C	9125772
EL16XC1S036-230B	TXV	34,600	14.50	12.20	C35-50/60C		9125773
EL16XC1S036-230B	TXV	34,600	16.00	13.00	CBA27UHE-036		10259409
EL16XC1S036-230B	TXV	35,400	16.00	13.00	CBA27UHE-042		10259410
EL16XC1S036-230B	TXV	33,800	14.50	12.00	CBX25UH-036		9126444
EL16XC1S036-230B	TXV	34,600	15.10	12.50	CBX25UH-042		9125774
EL16XC1S036-230B	TXV	33,800	15.10	12.50	CBX25UHV-036		9125775
EL16XC1S036-230B	TXV	35,000	16.00	13.00	CBX25UHV-042		9125776
EL16XC1S036-230B	TXV	34,400	16.00	13.00	CBX27UH-036		9125777
EL16XC1S036-230B	TXV	35,200	16.00	13.00	CBX27UH-042		9125778
EL16XC1S036-230B	TXV	33,800	15.10	12.50	CBX32M-030		9125779
EL16XC1S036-230B	TXV	34,000	14.50	12.20	CBX32M-036		9125780
EL16XC1S036-230B	TXV	34,000	14.50	12.20	CBX32M-042		9125781

NOTES:

TXV = Matched with Thermostatic Expansion Valve.

RFC = Matched with RFC metering device.

AHRI certified to AHRI Standard 210/240 (with 25 ft. of connecting refrigerant lines); 95°F outdoor air temperature, 80°F db / 67°F wb entering evaporator air.

All ratings include the use of a blower time delay relay (TDR). All Lennox variable-speed furnaces and Air Handlers have time delay capabilities. Other Furnaces and Air Handlers may require an optional time delay relay (**58M81**) for field installation. See furnace or air handler specifications to determine if relay is needed.

Also see Expansion Valve Kit Usage Table.

AHRI SYSTEM MATCHES - SOUTHWEST REGION - 036

NOTE - For the latest up-to-date system matches please visit the AHRI web site at <http://www.ahridirectory.org>

Model No.	Expansion Device	Capacity	SEER	EER	Coil or Air Handler	Furnace	AHRI Reference
EL16XC1S036-230B	TXV	34,600	15.00	12.50	CBX32M-048		9125782
EL16XC1S036-230B	TXV	34,200	15.10	12.50	CBX32MV-036		9125783
EL16XC1S036-230B	TXV	35,200	16.00	13.00	CBX32MV-048		9125784
EL16XC1S036-230B	TXV	34,400	15.50	12.50	CBX40UHV-036		9125785
EL16XC1S036-230B	TXV	35,000	16.00	13.00	CBX40UHV-042		9125786
EL16XC1S036-230B	TXV	35,200	16.00	13.00	CBX40UHV-048		9125787
EL16XC1S036-230B	TXV	33,600	15.10	12.50	CH23-41	EL180UH045E36A	9125788
EL16XC1S036-230B	TXV	33,600	15.10	12.50	CH23-41	EL180UH045XE36A	9125789
EL16XC1S036-230B	TXV	33,800	15.50	12.50	CH23-41	EL180UH070E36B	9125790
EL16XC1S036-230B	TXV	33,800	15.50	12.50	CH23-41	EL180UH070XE36B	9125791
EL16XC1S036-230B	TXV	33,800	15.50	12.50	CH23-41	EL180UH090E48B	9125792
EL16XC1S036-230B	TXV	33,800	15.50	12.50	CH23-41	EL180UH090XE48B	9125793
EL16XC1S036-230B	TXV	33,400	15.10	12.50	CH23-41	EL195UH045XE36B	9125794
EL16XC1S036-230B	TXV	33,600	15.10	12.50	CH23-41	EL195UH070XE36B	9125795
EL16XC1S036-230B	TXV	33,400	15.10	12.50	CH23-41	EL296UH045XE36B	9125796
EL16XC1S036-230B	TXV	33,600	15.10	12.50	CH23-41	EL296UH045XV36B	9125797
EL16XC1S036-230B	TXV	33,600	15.10	12.50	CH23-41	EL296UH070XE36B	9125798
EL16XC1S036-230B	TXV	33,600	15.10	12.50	CH23-41	EL296UH070XV36B	9125799
EL16XC1S036-230B	TXV	33,800	15.50	12.50	CH23-41	SL280UH090V48B	9125800
EL16XC1S036-230B	TXV	33,800	15.50	12.50	CH23-41	SL280UH090XV48B	9125801
EL16XC1S036-230B	TXV	33,600	15.10	12.50	CH23-41	SLP98UH070XV36B	9125802
EL16XC1S036-230B	TXV	33,600	15.10	12.20	CH23-51	EL180UH045E36A	9125803
EL16XC1S036-230B	TXV	33,600	15.10	12.20	CH23-51	EL180UH045XE36A	9125804
EL16XC1S036-230B	TXV	33,800	16.00	13.00	CH23-51	EL180UH070E36B	9125805
EL16XC1S036-230B	TXV	33,800	16.00	13.00	CH23-51	EL180UH070XE36B	9125806
EL16XC1S036-230B	TXV	34,200	15.50	12.50	CH23-51	EL180UH090E48B	9125807
EL16XC1S036-230B	TXV	34,000	15.50	12.50	CH23-51	EL180UH090E60C	9125808
EL16XC1S036-230B	TXV	34,200	15.50	12.50	CH23-51	EL180UH090XE48B	9125809
EL16XC1S036-230B	TXV	34,000	16.00	13.00	CH23-51	EL180UH110E60C	9125810
EL16XC1S036-230B	TXV	34,000	16.00	13.00	CH23-51	EL180UH110XE60C	9125811
EL16XC1S036-230B	TXV	33,400	15.10	12.50	CH23-51	EL195UH045XE36B	9125812
EL16XC1S036-230B	TXV	33,600	15.10	12.50	CH23-51	EL195UH070XE36B	9125813
EL16XC1S036-230B	TXV	34,000	15.50	12.50	CH23-51	EL195UH090XE48C	9125814
EL16XC1S036-230B	TXV	34,000	15.50	12.50	CH23-51	EL195UH110XE60C	9125815
EL16XC1S036-230B	TXV	33,400	15.10	12.50	CH23-51	EL296UH045XE36B	9125816
EL16XC1S036-230B	TXV	33,600	15.10	12.50	CH23-51	EL296UH045XV36B	9125817
EL16XC1S036-230B	TXV	33,600	15.10	12.50	CH23-51	EL296UH070XE36B	9125818
EL16XC1S036-230B	TXV	33,600	15.10	12.50	CH23-51	EL296UH070XV36B	9125819
EL16XC1S036-230B	TXV	34,000	15.50	12.50	CH23-51	EL296UH090XE48C	9125820
EL16XC1S036-230B	TXV	33,800	15.50	12.50	CH23-51	EL296UH090XV36C	9125821
EL16XC1S036-230B	TXV	33,600	15.50	12.50	CH23-51	EL296UH090XV48C	9125822
EL16XC1S036-230B	TXV	34,000	15.50	12.50	CH23-51	EL296UH110XE60C	9125823
EL16XC1S036-230B	TXV	33,800	15.50	12.50	CH23-51	EL296UH110XV48C	9125824
EL16XC1S036-230B	TXV	34,200	15.50	12.50	CH23-51	EL296UH110XV60C	9125825
EL16XC1S036-230B	TXV	33,800	16.00	13.00	CH23-51	SL280UH090V36B	9125826
EL16XC1S036-230B	TXV	33,800	15.50	12.50	CH23-51	SL280UH090V48B	9125827
EL16XC1S036-230B	TXV	33,800	15.50	12.50	CH23-51	SL280UH090XV48B	9125828
EL16XC1S036-230B	TXV	34,000	15.50	12.50	CH23-51	SL280UH110V60C	9125829
EL16XC1S036-230B	TXV	34,000	15.50	12.50	CH23-51	SL280UH110XV60C	9125830

NOTES:

TXV = Matched with Thermostatic Expansion Valve.

RFC = Matched with RFC metering device.

AHRI certified to AHRI Standard 210/240 (with 25 ft. of connecting refrigerant lines); 95°F outdoor air temperature, 80°F db / 67°F wb entering evaporator air.

All ratings include the use of a blower time delay relay (TDR). All Lennox variable-speed furnaces and Air Handlers have time delay capabilities. Other Furnaces and Air Handlers may require an optional time delay relay (**58M81**) for field installation. See furnace or air handler specifications to determine if relay is needed.

Also see Expansion Valve Kit Usage Table.

AHRI SYSTEM MATCHES - SOUTHWEST REGION - 036

NOTE - For the latest up-to-date system matches please visit the AHRI web site at <http://www.ahridirectory.org>

Model No.	Expansion Device	Capacity	SEER	EER	Coil or Air Handler	Furnace	AHRI Reference
EL16XC1S036-230B	TXV	33,600	15.10	12.50	CH23-51	SLP98UH070XV36B	9125831
EL16XC1S036-230B	TXV	33,800	15.50	12.50	CH23-51	SLP98UH090XV36C	9125832
EL16XC1S036-230B	TXV	33,600	15.50	12.50	CH23-51	SLP98UH090XV48C	9125833
EL16XC1S036-230B	TXV	34,200	15.50	12.50	CH23-51	SLP98UH110XV60C	9125834
EL16XC1S036-230B	TXV	34,400	15.10	12.50	CH33-31A	EL180UH045E36A	9125835
EL16XC1S036-230B	TXV	34,400	15.10	12.50	CH33-31A	EL180UH045XE36A	9125836
EL16XC1S036-230B	TXV	34,600	15.10	12.50	CH33-31A	SL280UH070V36A	9125837
EL16XC1S036-230B	TXV	34,600	15.10	12.50	CH33-31A	SL280UH070XV36A	9125838
EL16XC1S036-230B	TXV	34,600	16.00	13.00	CH33-31B	EL180UH070E36B	9125839
EL16XC1S036-230B	TXV	34,600	16.00	13.00	CH33-31B	EL180UH070XE36B	9125840
EL16XC1S036-230B	TXV	34,800	16.00	13.00	CH33-31B	EL180UH090E48B	9125841
EL16XC1S036-230B	TXV	34,800	16.00	13.00	CH33-31B	EL180UH090XE48B	9125842
EL16XC1S036-230B	TXV	34,600	15.10	12.20	CH33-31B	EL195UH045XE36B	9125843
EL16XC1S036-230B	TXV	34,600	15.50	12.50	CH33-31B	EL195UH070XE36B	9125844
EL16XC1S036-230B	TXV	34,600	15.10	12.20	CH33-31B	EL296UH045XE36B	9125845
EL16XC1S036-230B	TXV	34,800	15.50	12.50	CH33-31B	EL296UH045XV36B	9125846
EL16XC1S036-230B	TXV	34,600	15.50	12.50	CH33-31B	EL296UH070XE36B	9125847
EL16XC1S036-230B	TXV	34,800	15.50	12.50	CH33-31B	EL296UH070XV36B	9125848
EL16XC1S036-230B	TXV	35,000	16.00	13.00	CH33-31B	SL280UH090V36B	9125849
EL16XC1S036-230B	TXV	35,000	16.00	13.00	CH33-31B	SL280UH090V48B	9125850
EL16XC1S036-230B	TXV	35,000	16.00	13.00	CH33-31B	SL280UH090XV48B	9125851
EL16XC1S036-230B	TXV	34,800	15.50	12.50	CH33-31B	SLP98UH070XV36B	9125852
EL16XC1S036-230B	TXV	34,400	14.50	12.20	CH33-31B		9125854
EL16XC1S036-230B	TXV	33,400	14.50	12.20	CH33-36A	EL180UH045E36A	9125855
EL16XC1S036-230B	TXV	33,400	14.50	12.20	CH33-36A	EL180UH045XE36A	9125856
EL16XC1S036-230B	TXV	33,200	14.50	12.00	CH33-36A	SL280UH070V36A	9126445
EL16XC1S036-230B	TXV	33,200	14.50	12.00	CH33-36A	SL280UH070XV36A	9126446
EL16XC1S036-230B	TXV	33,400	15.50	12.50	CH33-36B	EL180UH070E36B	9125857
EL16XC1S036-230B	TXV	33,400	15.50	12.50	CH33-36B	EL180UH070XE36B	9125858
EL16XC1S036-230B	TXV	33,600	15.50	12.50	CH33-36B	EL180UH090E48B	9125859
EL16XC1S036-230B	TXV	33,600	15.50	12.50	CH33-36B	EL180UH090XE48B	9125860
EL16XC1S036-230B	TXV	33,000	14.50	12.20	CH33-36B	EL195UH045XE36B	9125861
EL16XC1S036-230B	TXV	33,200	15.10	12.50	CH33-36B	EL195UH070XE36B	9125862
EL16XC1S036-230B	TXV	33,000	14.50	12.20	CH33-36B	EL296UH045XE36B	9125863
EL16XC1S036-230B	TXV	33,400	14.50	12.20	CH33-36B	EL296UH045XV36B	9125864
EL16XC1S036-230B	TXV	33,200	15.10	12.50	CH33-36B	EL296UH070XE36B	9125865
EL16XC1S036-230B	TXV	33,200	15.10	12.50	CH33-36B	EL296UH070XV36B	9125866
EL16XC1S036-230B	TXV	33,400	15.50	12.50	CH33-36B	SL280UH090V36B	9125867
EL16XC1S036-230B	TXV	33,600	15.50	12.50	CH33-36B	SL280UH090V48B	9125868
EL16XC1S036-230B	TXV	33,600	15.50	12.50	CH33-36B	SL280UH090XV48B	9125869
EL16XC1S036-230B	TXV	33,200	15.10	12.50	CH33-36B	SLP98UH070XV36B	9125870
EL16XC1S036-230B	TXV	34,200	16.00	13.00	CH33-36C	EL180UH090E60C	9125871
EL16XC1S036-230B	TXV	34,000	16.00	13.00	CH33-36C	EL180UH110E60C	9125872
EL16XC1S036-230B	TXV	34,000	16.00	13.00	CH33-36C	EL180UH110XE60C	9125873
EL16XC1S036-230B	TXV	34,000	15.50	12.50	CH33-36C	EL195UH090XE48C	9125874
EL16XC1S036-230B	TXV	34,200	15.50	12.50	CH33-36C	EL195UH110XE60C	9125875
EL16XC1S036-230B	TXV	34,000	15.50	12.50	CH33-36C	EL296UH090XE48C	9125876
EL16XC1S036-230B	TXV	34,000	15.50	12.50	CH33-36C	EL296UH090XV36C	9125877
EL16XC1S036-230B	TXV	34,000	15.50	12.50	CH33-36C	EL296UH090XV48C	9125878

NOTES:

TXV = Matched with Thermostatic Expansion Valve.

RFC = Matched with RFC metering device.

AHRI certified to AHRI Standard 210/240 (with 25 ft. of connecting refrigerant lines); 95°F outdoor air temperature, 80°F db / 67°F wb entering evaporator air.

All ratings include the use of a blower time delay relay (TDR). All Lennox variable-speed furnaces and Air Handlers have time delay capabilities. Other Furnaces and Air Handlers may require an optional time delay relay (58M81) for field installation. See furnace or air handler specifications to determine if relay is needed.

Also see Expansion Valve Kit Usage Table.

AHRI SYSTEM MATCHES - SOUTHWEST REGION - 036

NOTE - For the latest up-to-date system matches please visit the AHRI web site at <http://www.ahridirectory.org>

Model No.	Expansion Device	Capacity	SEER	EER	Coil or Air Handler	Furnace	AHRI Reference
EL16XC1S036-230B	TXV	34,200	15.50	12.50	CH33-36C	EL296UH110XE60C	9125879
EL16XC1S036-230B	TXV	34,000	15.50	12.50	CH33-36C	EL296UH110XV48C	9125880
EL16XC1S036-230B	TXV	34,400	15.50	12.50	CH33-36C	EL296UH110XV60C	9125881
EL16XC1S036-230B	TXV	34,400	15.50	12.50	CH33-36C	SL280UH110V60C	9125882
EL16XC1S036-230B	TXV	34,400	15.50	12.50	CH33-36C	SL280UH110XV60C	9125883
EL16XC1S036-230B	TXV	34,000	15.50	12.50	CH33-36C	SLP98UH090XV36C	9125884
EL16XC1S036-230B	TXV	34,000	15.50	12.50	CH33-36C	SLP98UH090XV48C	9125885
EL16XC1S036-230B	TXV	34,400	15.50	12.50	CH33-36C	SLP98UH110XV60C	9125886
EL16XC1S036-230B	TXV	34,200	16.00	13.00	CH33-42B	EL180UH070E36B	9125887
EL16XC1S036-230B	TXV	34,200	16.00	13.00	CH33-42B	EL180UH070XE36B	9125888
EL16XC1S036-230B	TXV	34,400	15.50	12.50	CH33-42B	EL180UH090E48B	9125889
EL16XC1S036-230B	TXV	34,400	15.50	12.50	CH33-42B	EL180UH090XE48B	9125890
EL16XC1S036-230B	TXV	34,200	14.50	12.20	CH33-42B	EL195UH045XE36B	9125891
EL16XC1S036-230B	TXV	34,000	15.10	12.50	CH33-42B	EL195UH070XE36B	9125892
EL16XC1S036-230B	TXV	34,200	14.50	12.20	CH33-42B	EL296UH045XE36B	9125893
EL16XC1S036-230B	TXV	34,400	15.10	12.50	CH33-42B	EL296UH045XV36B	9125894
EL16XC1S036-230B	TXV	34,000	15.10	12.50	CH33-42B	EL296UH070XE36B	9125895
EL16XC1S036-230B	TXV	34,400	15.10	12.50	CH33-42B	EL296UH070XV36B	9125896
EL16XC1S036-230B	TXV	34,600	16.00	13.00	CH33-42B	SL280UH090V36B	9125897
EL16XC1S036-230B	TXV	34,600	15.50	12.50	CH33-42B	SL280UH090V48B	9125898
EL16XC1S036-230B	TXV	34,600	15.50	12.50	CH33-42B	SL280UH090XV48B	9125899
EL16XC1S036-230B	TXV	34,400	15.10	12.50	CH33-42B	SLP98UH070XV36B	9125900
EL16XC1S036-230B	TXV	35,600	16.00	13.00	CH33-43B	EL180UH070E36B	9125901
EL16XC1S036-230B	TXV	35,600	16.00	13.00	CH33-43B	EL180UH070XE36B	9125902
EL16XC1S036-230B	TXV	35,800	16.00	13.00	CH33-43B	EL180UH090E48B	9125903
EL16XC1S036-230B	TXV	35,800	16.00	13.00	CH33-43B	EL180UH090XE48B	9125904
EL16XC1S036-230B	TXV	35,600	15.50	12.50	CH33-43B	EL195UH045XE36B	9125905
EL16XC1S036-230B	TXV	35,400	16.00	13.00	CH33-43B	EL195UH070XE36B	9125906
EL16XC1S036-230B	TXV	35,600	15.50	12.50	CH33-43B	EL296UH045XE36B	9125907
EL16XC1S036-230B	TXV	35,800	16.00	13.00	CH33-43B	EL296UH045XV36B	9125908
EL16XC1S036-230B	TXV	35,400	16.00	13.00	CH33-43B	EL296UH070XE36B	9125909
EL16XC1S036-230B	TXV	35,800	16.00	13.00	CH33-43B	EL296UH070XV36B	9125910
EL16XC1S036-230B	TXV	36,000	16.00	13.00	CH33-43B	SL280UH090V36B	9125911
EL16XC1S036-230B	TXV	36,000	16.00	13.00	CH33-43B	SL280UH090V48B	9125912
EL16XC1S036-230B	TXV	36,000	16.00	13.00	CH33-43B	SL280UH090XV48B	9125913
EL16XC1S036-230B	TXV	35,800	16.00	13.00	CH33-43B	SLP98UH070XV36B	9125914
EL16XC1S036-230B	TXV	35,400	15.10	12.50	CH33-43B		9125916
EL16XC1S036-230B	TXV	35,600	16.00	13.00	CH33-43C	EL180UH090E60C	9125917
EL16XC1S036-230B	TXV	35,400	16.00	13.00	CH33-43C	EL180UH110E60C	9125918
EL16XC1S036-230B	TXV	35,400	16.00	13.00	CH33-43C	EL180UH110XE60C	9125919
EL16XC1S036-230B	TXV	35,400	16.00	13.00	CH33-43C	EL195UH090XE48C	9125920
EL16XC1S036-230B	TXV	35,600	16.00	13.00	CH33-43C	EL195UH110XE60C	9125921
EL16XC1S036-230B	TXV	35,400	16.00	13.00	CH33-43C	EL296UH090XE48C	9125922
EL16XC1S036-230B	TXV	35,400	16.00	13.00	CH33-43C	EL296UH090XV36C	9125923
EL16XC1S036-230B	TXV	35,200	16.00	13.00	CH33-43C	EL296UH090XV48C	9125924
EL16XC1S036-230B	TXV	35,600	16.00	13.00	CH33-43C	EL296UH110XE60C	9125925
EL16XC1S036-230B	TXV	35,400	16.00	13.00	CH33-43C	EL296UH110XV48C	9125926
EL16XC1S036-230B	TXV	35,800	16.00	13.00	CH33-43C	EL296UH110XV60C	9125927
EL16XC1S036-230B	TXV	35,800	16.00	13.00	CH33-43C	SL280UH090V60C	9125928

NOTES:

TXV = Matched with Thermostatic Expansion Valve.

RFC = Matched with RFC metering device.

AHRI certified to AHRI Standard 210/240 (with 25 ft. of connecting refrigerant lines); 95°F outdoor air temperature, 80°F db / 67°F wb entering evaporator air.

All ratings include the use of a blower time delay relay (TDR). All Lennox variable-speed furnaces and Air Handlers have time delay capabilities. Other Furnaces and Air Handlers may require an optional time delay relay (**58M81**) for field installation. See furnace or air handler specifications to determine if relay is needed.

Also see Expansion Valve Kit Usage Table.

AHRI SYSTEM MATCHES - SOUTHWEST REGION - 036

NOTE - For the latest up-to-date system matches please visit the AHRI web site at <http://www.ahridirectory.org>

Model No.	Expansion Device	Capacity	SEER	EER	Coil or Air Handler	Furnace	AHRI Reference
EL16XC1S036-230B	TXV	35,800	16.00	13.00	CH33-43C	SL280UH090XV60C	9125929
EL16XC1S036-230B	TXV	35,600	16.00	13.00	CH33-43C	SL280UH110V60C	9125930
EL16XC1S036-230B	TXV	35,600	16.00	13.00	CH33-43C	SL280UH110XV60C	9125931
EL16XC1S036-230B	TXV	35,400	16.00	13.00	CH33-43C	SLP98UH090XV36C	9125932
EL16XC1S036-230B	TXV	35,200	16.00	13.00	CH33-43C	SLP98UH090XV48C	9125933
EL16XC1S036-230B	TXV	35,800	16.00	13.00	CH33-43C	SLP98UH110XV60C	9125934
EL16XC1S036-230B	TXV	34,600	16.00	13.00	CH33-44/48B	EL180UH070E36B	9125935
EL16XC1S036-230B	TXV	34,600	16.00	13.00	CH33-44/48B	EL180UH070XE36B	9125936
EL16XC1S036-230B	TXV	35,000	16.00	13.00	CH33-44/48B	EL180UH090E48B	9125937
EL16XC1S036-230B	TXV	35,000	16.00	13.00	CH33-44/48B	EL180UH090XE48B	9125938
EL16XC1S036-230B	TXV	34,800	15.10	12.50	CH33-44/48B	EL195UH045XE36B	9125939
EL16XC1S036-230B	TXV	34,800	15.10	12.50	CH33-44/48B	EL195UH070XE36B	9125940
EL16XC1S036-230B	TXV	34,800	15.10	12.50	CH33-44/48B	EL296UH045XE36B	9125941
EL16XC1S036-230B	TXV	34,800	15.50	12.50	CH33-44/48B	EL296UH045XV36B	9125942
EL16XC1S036-230B	TXV	34,800	15.10	12.50	CH33-44/48B	EL296UH070XE36B	9125943
EL16XC1S036-230B	TXV	35,000	15.50	12.50	CH33-44/48B	EL296UH070XV36B	9125944
EL16XC1S036-230B	TXV	35,000	16.00	13.00	CH33-44/48B	SL280UH090V36B	9125945
EL16XC1S036-230B	TXV	35,000	16.00	13.00	CH33-44/48B	SL280UH090V48B	9125946
EL16XC1S036-230B	TXV	35,000	16.00	13.00	CH33-44/48B	SL280UH090XV48B	9125947
EL16XC1S036-230B	TXV	35,000	15.50	12.50	CH33-44/48B	SLP98UH070XV36B	9125948
EL16XC1S036-230B	TXV	34,600	14.50	12.20	CH33-44/48B		9125950
EL16XC1S036-230B	TXV	35,400	16.00	13.00	CH33-48C	EL180UH090E60C	9125951
EL16XC1S036-230B	TXV	35,200	16.00	13.00	CH33-48C	EL180UH110E60C	9125952
EL16XC1S036-230B	TXV	35,200	16.00	13.00	CH33-48C	EL180UH110XE60C	9125953
EL16XC1S036-230B	TXV	35,200	16.00	13.00	CH33-48C	EL195UH090XE48C	9125954
EL16XC1S036-230B	TXV	35,400	16.00	13.00	CH33-48C	EL195UH110XE60C	9125955
EL16XC1S036-230B	TXV	35,200	16.00	13.00	CH33-48C	EL296UH090XE48C	9125956
EL16XC1S036-230B	TXV	35,200	16.00	13.00	CH33-48C	EL296UH090XV36C	9125957
EL16XC1S036-230B	TXV	35,000	16.00	13.00	CH33-48C	EL296UH090XV48C	9125958
EL16XC1S036-230B	TXV	35,400	16.00	13.00	CH33-48C	EL296UH110XE60C	9125959
EL16XC1S036-230B	TXV	35,200	16.00	13.00	CH33-48C	EL296UH110XV48C	9125960
EL16XC1S036-230B	TXV	35,600	16.00	13.00	CH33-48C	EL296UH110XV60C	9125961
EL16XC1S036-230B	TXV	35,600	16.00	13.00	CH33-48C	SL280UH090V60C	9125962
EL16XC1S036-230B	TXV	35,600	16.00	13.00	CH33-48C	SL280UH090XV60C	9125963
EL16XC1S036-230B	TXV	35,400	16.00	13.00	CH33-48C	SL280UH110V60C	9125964
EL16XC1S036-230B	TXV	35,400	16.00	13.00	CH33-48C	SL280UH110XV60C	9125965
EL16XC1S036-230B	TXV	35,200	16.00	13.00	CH33-48C	SLP98UH090XV36C	9125966
EL16XC1S036-230B	TXV	35,000	16.00	13.00	CH33-48C	SLP98UH090XV48C	9125967
EL16XC1S036-230B	TXV	35,600	16.00	13.00	CH33-48C	SLP98UH110XV60C	9125968
EL16XC1S036-230B	TXV	34,600	14.50	12.20	CH33-48C		9125970
EL16XC1S036-230B	TXV	36,000	16.00	13.00	CH33-49	EL180UH090E60C	9125971
EL16XC1S036-230B	TXV	35,800	16.00	13.00	CH33-49	EL180UH110E60C	9125972
EL16XC1S036-230B	TXV	35,800	16.00	13.00	CH33-49	EL180UH110XE60C	9125973
EL16XC1S036-230B	TXV	35,800	16.00	13.00	CH33-49	EL195UH090XE48C	9125974
EL16XC1S036-230B	TXV	36,000	16.00	13.00	CH33-49	EL195UH110XE60C	9125975
EL16XC1S036-230B	TXV	35,800	16.00	13.00	CH33-49	EL296UH090XE48C	9125976
EL16XC1S036-230B	TXV	35,800	16.00	13.00	CH33-49	EL296UH090XV36C	9125977
EL16XC1S036-230B	TXV	35,600	16.00	13.00	CH33-49	EL296UH090XV48C	9125978
EL16XC1S036-230B	TXV	36,000	16.00	13.00	CH33-49	EL296UH110XE60C	9125979

NOTES:

TXV = Matched with Thermostatic Expansion Valve.

RFC = Matched with RFC metering device.

AHRI certified to AHRI Standard 210/240 (with 25 ft. of connecting refrigerant lines); 95°F outdoor air temperature, 80°F db / 67°F wb entering evaporator air.

All ratings include the use of a blower time delay relay (TDR). All Lennox variable-speed furnaces and Air Handlers have time delay capabilities. Other Furnaces and Air Handlers may require an optional time delay relay (**58M81**) for field installation. See furnace or air handler specifications to determine if relay is needed.

Also see Expansion Valve Kit Usage Table.

AHRI SYSTEM MATCHES - SOUTHWEST REGION - 036

NOTE - For the latest up-to-date system matches please visit the AHRI web site at <http://www.ahridirectory.org>

Model No.	Expansion Device	Capacity	SEER	EER	Coil or Air Handler	Furnace	AHRI Reference
EL16XC1S036-230B	TXV	36,000	16.00	13.00	CH33-49	EL296UH110XV48C	9125980
EL16XC1S036-230B	TXV	36,000	16.00	13.00	CH33-49	EL296UH110XV60C	9125981
EL16XC1S036-230B	TXV	36,000	16.00	13.00	CH33-49	SL280UH090V60C	9125982
EL16XC1S036-230B	TXV	36,000	16.00	13.00	CH33-49	SL280UH090XV60C	9125983
EL16XC1S036-230B	TXV	36,000	16.00	13.00	CH33-49	SL280UH110V60C	9125984
EL16XC1S036-230B	TXV	36,000	16.00	13.00	CH33-49	SL280UH110XV60C	9125985
EL16XC1S036-230B	TXV	35,800	16.00	13.00	CH33-49	SLP98UH090XV36C	9125986
EL16XC1S036-230B	TXV	35,600	16.00	13.00	CH33-49	SLP98UH090XV48C	9125987
EL16XC1S036-230B	TXV	36,000	16.00	13.00	CH33-49	SLP98UH110XV60C	9125988
EL16XC1S036-230B	TXV	35,200	15.10	12.20	CH33-49		9125990
EL16XC1S036-230B	TXV	35,800	16.00	13.00	CH33-50/60C	EL180UH090E60C	9125991
EL16XC1S036-230B	TXV	35,600	16.00	13.00	CH33-50/60C	EL180UH110E60C	9125992
EL16XC1S036-230B	TXV	35,600	16.00	13.00	CH33-50/60C	EL180UH110XE60C	9125993
EL16XC1S036-230B	TXV	35,600	16.00	13.00	CH33-50/60C	EL195UH090XE48C	9125994
EL16XC1S036-230B	TXV	35,800	16.00	13.00	CH33-50/60C	EL195UH110XE60C	9125995
EL16XC1S036-230B	TXV	35,600	16.00	13.00	CH33-50/60C	EL296UH090XE48C	9125996
EL16XC1S036-230B	TXV	35,600	16.00	13.00	CH33-50/60C	EL296UH090XV36C	9125997
EL16XC1S036-230B	TXV	35,400	16.00	13.00	CH33-50/60C	EL296UH090XV48C	9125998
EL16XC1S036-230B	TXV	35,800	16.00	13.00	CH33-50/60C	EL296UH110XE60C	9125999
EL16XC1S036-230B	TXV	35,600	16.00	13.00	CH33-50/60C	EL296UH110XV48C	9126000
EL16XC1S036-230B	TXV	36,000	16.00	13.00	CH33-50/60C	EL296UH110XV60C	9126001
EL16XC1S036-230B	TXV	36,000	16.00	13.00	CH33-50/60C	SL280UH090V60C	9126002
EL16XC1S036-230B	TXV	36,000	16.00	13.00	CH33-50/60C	SL280UH090XV60C	9126003
EL16XC1S036-230B	TXV	36,000	16.00	13.00	CH33-50/60C	SL280UH110V60C	9126004
EL16XC1S036-230B	TXV	36,000	16.00	13.00	CH33-50/60C	SL280UH110XV60C	9126005
EL16XC1S036-230B	TXV	35,600	16.00	13.00	CH33-50/60C	SLP98UH090XV36C	9126006
EL16XC1S036-230B	TXV	35,400	16.00	13.00	CH33-50/60C	SLP98UH090XV48C	9126007
EL16XC1S036-230B	TXV	36,000	16.00	13.00	CH33-50/60C	SLP98UH110XV60C	9126008
EL16XC1S036-230B	TXV	35,000	14.50	12.20	CH33-50/60C		9126010
EL16XC1S036-230B	TXV	34,600	15.10	12.50	CH35-30A	EL180UH045E36A	9126011
EL16XC1S036-230B	TXV	34,600	15.10	12.50	CH35-30A	EL180UH045XE36A	9126012
EL16XC1S036-230B	TXV	34,600	15.10	12.50	CH35-30A	SL280UH070V36A	9126013
EL16XC1S036-230B	TXV	34,600	15.10	12.50	CH35-30A	SL280UH070XV36A	9126014
EL16XC1S036-230B	TXV	35,200	15.50	12.50	CH35-30B	EL180UH070E36B	9126015
EL16XC1S036-230B	TXV	35,200	15.50	12.50	CH35-30B	EL180UH070XE36B	9126016
EL16XC1S036-230B	TXV	35,000	16.00	13.00	CH35-30B	EL180UH090E48B	9126017
EL16XC1S036-230B	TXV	35,000	16.00	13.00	CH35-30B	EL180UH090XE48B	9126018
EL16XC1S036-230B	TXV	34,800	15.10	12.50	CH35-30B	EL195UH045XE36B	9126019
EL16XC1S036-230B	TXV	34,800	15.10	12.50	CH35-30B	EL195UH070XE36B	9126020
EL16XC1S036-230B	TXV	34,800	15.10	12.50	CH35-30B	EL296UH045XE36B	9126021
EL16XC1S036-230B	TXV	35,000	15.50	12.50	CH35-30B	EL296UH045XV36B	9126022
EL16XC1S036-230B	TXV	34,800	15.10	12.50	CH35-30B	EL296UH070XE36B	9126023
EL16XC1S036-230B	TXV	35,000	15.50	12.50	CH35-30B	EL296UH070XV36B	9126024
EL16XC1S036-230B	TXV	35,200	16.00	13.00	CH35-30B	SL280UH090V36B	9126025
EL16XC1S036-230B	TXV	35,200	16.00	13.00	CH35-30B	SL280UH090V48B	9126026
EL16XC1S036-230B	TXV	35,200	16.00	13.00	CH35-30B	SL280UH090XV48B	9126027
EL16XC1S036-230B	TXV	35,000	15.50	12.50	CH35-30B	SLP98UH070XV36B	9126028
EL16XC1S036-230B	TXV	34,600	14.50	12.20	CH35-30B		9126029
EL16XC1S036-230B	TXV	33,200	14.50	12.20	CH35-36A	EL180UH045E36A	9126030

NOTES:

TXV = Matched with Thermostatic Expansion Valve.

RFC = Matched with RFC metering device.

AHRI certified to AHRI Standard 210/240 (with 25 ft. of connecting refrigerant lines); 95°F outdoor air temperature, 80°F db / 67°F wb entering evaporator air. All ratings include the use of a blower time delay relay (TDR). All Lennox variable-speed furnaces and Air Handlers have time delay capabilities. Other Furnaces and Air Handlers may require an optional time delay relay (**58M81**) for field installation. See furnace or air handler specifications to determine if relay is needed.

Also see Expansion Valve Kit Usage Table.

AHRI SYSTEM MATCHES - SOUTHWEST REGION - 036

NOTE - For the latest up-to-date system matches please visit the AHRI web site at <http://www.ahridirectory.org>

Model No.	Expansion Device	Capacity	SEER	EER	Coil or Air Handler	Furnace	AHRI Reference
EL16XC1S036-230B	TXV	33,200	14.50	12.20	CH35-36A	EL180UH045XE36A	9126031
EL16XC1S036-230B	TXV	33,400	14.50	12.20	CH35-36A	SL280UH070V36A	9126032
EL16XC1S036-230B	TXV	33,400	14.50	12.20	CH35-36A	SL280UH070XV36A	9126033
EL16XC1S036-230B	TXV	33,600	15.50	12.50	CH35-36B	EL180UH070E36B	9126034
EL16XC1S036-230B	TXV	33,600	15.50	12.50	CH35-36B	EL180UH070XE36B	9126035
EL16XC1S036-230B	TXV	33,600	15.10	12.50	CH35-36B	EL180UH090E48B	9126036
EL16XC1S036-230B	TXV	33,600	15.10	12.50	CH35-36B	EL180UH090XE48B	9126037
EL16XC1S036-230B	TXV	33,000	15.10	12.20	CH35-36B	EL195UH045XE36B	9126038
EL16XC1S036-230B	TXV	33,200	14.50	12.00	CH35-36B	EL195UH070XE36B	9126447
EL16XC1S036-230B	TXV	33,000	15.10	12.20	CH35-36B	EL296UH045XE36B	9126039
EL16XC1S036-230B	TXV	33,200	15.10	12.20	CH35-36B	EL296UH045XV36B	9126040
EL16XC1S036-230B	TXV	33,200	14.50	12.00	CH35-36B	EL296UH070XE36B	9126448
EL16XC1S036-230B	TXV	33,200	15.10	12.50	CH35-36B	EL296UH070XV36B	9126041
EL16XC1S036-230B	TXV	33,600	15.50	12.50	CH35-36B	SL280UH090V36B	9126042
EL16XC1S036-230B	TXV	33,600	15.50	12.50	CH35-36B	SL280UH090V48B	9126043
EL16XC1S036-230B	TXV	33,600	15.50	12.50	CH35-36B	SL280UH090XV48B	9126044
EL16XC1S036-230B	TXV	33,200	15.10	12.50	CH35-36B	SLP98UH070XV36B	9126045
EL16XC1S036-230B	TXV	34,400	16.00	13.00	CH35-36C	EL180UH090E60C	9126046
EL16XC1S036-230B	TXV	34,200	16.00	13.00	CH35-36C	EL180UH110E60C	9126047
EL16XC1S036-230B	TXV	34,200	16.00	13.00	CH35-36C	EL180UH110XE60C	9126048
EL16XC1S036-230B	TXV	34,200	15.50	12.50	CH35-36C	EL195UH090XE48C	9126049
EL16XC1S036-230B	TXV	34,400	15.50	12.50	CH35-36C	EL195UH110XE60C	9126050
EL16XC1S036-230B	TXV	34,200	15.50	12.50	CH35-36C	EL296UH090XE48C	9126051
EL16XC1S036-230B	TXV	34,200	15.50	12.50	CH35-36C	EL296UH090XV36C	9126052
EL16XC1S036-230B	TXV	34,000	15.50	12.50	CH35-36C	EL296UH090XV48C	9126053
EL16XC1S036-230B	TXV	34,400	15.50	12.50	CH35-36C	EL296UH110XE60C	9126054
EL16XC1S036-230B	TXV	34,200	16.00	13.00	CH35-36C	EL296UH110XV48C	9126055
EL16XC1S036-230B	TXV	34,400	16.00	13.00	CH35-36C	EL296UH110XV60C	9126056
EL16XC1S036-230B	TXV	34,600	16.00	13.00	CH35-36C	SL280UH090V60C	9126057
EL16XC1S036-230B	TXV	34,600	16.00	13.00	CH35-36C	SL280UH090XV60C	9126058
EL16XC1S036-230B	TXV	34,400	15.50	12.50	CH35-36C	SL280UH110V60C	9126059
EL16XC1S036-230B	TXV	34,400	15.50	12.50	CH35-36C	SL280UH110XV60C	9126060
EL16XC1S036-230B	TXV	34,200	15.50	12.50	CH35-36C	SLP98UH090XV36C	9126061
EL16XC1S036-230B	TXV	34,000	15.50	12.50	CH35-36C	SLP98UH090XV48C	9126062
EL16XC1S036-230B	TXV	34,400	16.00	13.00	CH35-36C	SLP98UH110XV60C	9126063
EL16XC1S036-230B	TXV	36,000	16.00	13.00	CH35-42B	EL180UH070E36B	9126064
EL16XC1S036-230B	TXV	36,000	16.00	13.00	CH35-42B	EL180UH070XE36B	9126065
EL16XC1S036-230B	TXV	35,800	16.00	13.00	CH35-42B	EL180UH090E48B	9126066
EL16XC1S036-230B	TXV	35,800	16.00	13.00	CH35-42B	EL180UH090XE48B	9126067
EL16XC1S036-230B	TXV	35,600	15.50	12.50	CH35-42B	EL195UH045XE36B	9126068
EL16XC1S036-230B	TXV	35,600	15.50	12.50	CH35-42B	EL195UH070XE36B	9126069
EL16XC1S036-230B	TXV	35,600	15.50	12.50	CH35-42B	EL296UH045XE36B	9126070
EL16XC1S036-230B	TXV	35,800	16.00	13.00	CH35-42B	EL296UH045XV36B	9126071
EL16XC1S036-230B	TXV	35,600	15.50	12.50	CH35-42B	EL296UH070XE36B	9126072
EL16XC1S036-230B	TXV	35,800	16.00	13.00	CH35-42B	EL296UH070XV36B	9126073
EL16XC1S036-230B	TXV	36,000	16.00	13.00	CH35-42B	SL280UH090V36B	9126074
EL16XC1S036-230B	TXV	36,000	16.00	13.00	CH35-42B	SL280UH090V48B	9126075
EL16XC1S036-230B	TXV	36,000	16.00	13.00	CH35-42B	SL280UH090XV48B	9126076
EL16XC1S036-230B	TXV	35,800	16.00	13.00	CH35-42B	SLP98UH070XV36B	9126077

NOTES:

TXV = Matched with Thermostatic Expansion Valve.

RFC = Matched with RFC metering device.

AHRI certified to AHRI Standard 210/240 (with 25 ft. of connecting refrigerant lines); 95°F outdoor air temperature, 80°F db / 67°F wb entering evaporator air.

All ratings include the use of a blower time delay relay (TDR). All Lennox variable-speed furnaces and Air Handlers have time delay capabilities. Other Furnaces and Air Handlers may require an optional time delay relay (**58M81**) for field installation. See furnace or air handler specifications to determine if relay is needed.

Also see Expansion Valve Kit Usage Table.

AHRI SYSTEM MATCHES - SOUTHWEST REGION - 036

NOTE - For the latest up-to-date system matches please visit the AHRI web site at <http://www.ahridirectory.org>

Model No.	Expansion Device	Capacity	SEER	EER	Coil or Air Handler	Furnace	AHRI Reference
EL16XC1S036-230B	TXV	35,400	15.10	12.50	CH35-42B		9126078
EL16XC1S036-230B	TXV	35,800	16.00	13.00	CH35-42C	EL180UH090E60C	9126079
EL16XC1S036-230B	TXV	35,400	16.00	13.00	CH35-42C	EL180UH110E60C	9126080
EL16XC1S036-230B	TXV	35,400	16.00	13.00	CH35-42C	EL180UH110XE60C	9126081
EL16XC1S036-230B	TXV	35,400	16.00	13.00	CH35-42C	EL195UH090XE48C	9126082
EL16XC1S036-230B	TXV	35,600	16.00	13.00	CH35-42C	EL195UH110XE60C	9126083
EL16XC1S036-230B	TXV	35,400	16.00	13.00	CH35-42C	EL296UH090XE48C	9126084
EL16XC1S036-230B	TXV	35,600	16.00	13.00	CH35-42C	EL296UH090XV36C	9126085
EL16XC1S036-230B	TXV	35,400	16.00	13.00	CH35-42C	EL296UH090XV48C	9126086
EL16XC1S036-230B	TXV	35,600	16.00	13.00	CH35-42C	EL296UH110XE60C	9126087
EL16XC1S036-230B	TXV	35,600	16.00	13.00	CH35-42C	EL296UH110XV48C	9126088
EL16XC1S036-230B	TXV	35,800	16.00	13.00	CH35-42C	EL296UH110XV60C	9126089
EL16XC1S036-230B	TXV	36,000	16.00	13.00	CH35-42C	SL280UH090V60C	9126090
EL16XC1S036-230B	TXV	36,000	16.00	13.00	CH35-42C	SL280UH090XV60C	9126091
EL16XC1S036-230B	TXV	35,800	16.00	13.00	CH35-42C	SL280UH110V60C	9126092
EL16XC1S036-230B	TXV	35,800	16.00	13.00	CH35-42C	SL280UH110XV60C	9126093
EL16XC1S036-230B	TXV	35,600	16.00	13.00	CH35-42C	SLP98UH090XV36C	9126094
EL16XC1S036-230B	TXV	35,400	16.00	13.00	CH35-42C	SLP98UH090XV48C	9126095
EL16XC1S036-230B	TXV	35,800	16.00	13.00	CH35-42C	SLP98UH110XV60C	9126096
EL16XC1S036-230B	TXV	35,000	14.50	12.20	CH35-42C		9126097
EL16XC1S036-230B	TXV	35,200	15.50	12.50	CH35-48B	EL180UH070E36B	9126098
EL16XC1S036-230B	TXV	35,200	15.50	12.50	CH35-48B	EL180UH070XE36B	9126099
EL16XC1S036-230B	TXV	35,000	16.00	13.00	CH35-48B	EL180UH090E48B	9126100
EL16XC1S036-230B	TXV	35,000	16.00	13.00	CH35-48B	EL180UH090XE48B	9126101
EL16XC1S036-230B	TXV	35,000	15.10	12.50	CH35-48B	EL195UH045XE36B	9126102
EL16XC1S036-230B	TXV	35,000	15.10	12.50	CH35-48B	EL195UH070XE36B	9126103
EL16XC1S036-230B	TXV	35,000	15.10	12.50	CH35-48B	EL296UH045XE36B	9126104
EL16XC1S036-230B	TXV	35,000	15.50	12.50	CH35-48B	EL296UH045XV36B	9126105
EL16XC1S036-230B	TXV	35,000	15.10	12.50	CH35-48B	EL296UH070XE36B	9126106
EL16XC1S036-230B	TXV	35,200	15.50	12.50	CH35-48B	EL296UH070XV36B	9126107
EL16XC1S036-230B	TXV	35,200	16.00	13.00	CH35-48B	SL280UH090V36B	9126108
EL16XC1S036-230B	TXV	35,200	16.00	13.00	CH35-48B	SL280UH090V48B	9126109
EL16XC1S036-230B	TXV	35,200	16.00	13.00	CH35-48B	SL280UH090XV48B	9126110
EL16XC1S036-230B	TXV	35,200	15.50	12.50	CH35-48B	SLP98UH070XV36B	9126111
EL16XC1S036-230B	TXV	34,800	14.50	12.20	CH35-48B		9126112
EL16XC1S036-230B	TXV	35,600	16.00	13.00	CH35-48C	EL180UH090E60C	9126113
EL16XC1S036-230B	TXV	35,200	16.00	13.00	CH35-48C	EL180UH110E60C	9126114
EL16XC1S036-230B	TXV	35,200	16.00	13.00	CH35-48C	EL180UH110XE60C	9126115
EL16XC1S036-230B	TXV	35,200	16.00	13.00	CH35-48C	EL195UH090XE48C	9126116
EL16XC1S036-230B	TXV	35,600	16.00	13.00	CH35-48C	EL195UH110XE60C	9126117
EL16XC1S036-230B	TXV	35,200	16.00	13.00	CH35-48C	EL296UH090XE48C	9126118
EL16XC1S036-230B	TXV	35,400	16.00	13.00	CH35-48C	EL296UH090XV36C	9126119
EL16XC1S036-230B	TXV	35,200	16.00	13.00	CH35-48C	EL296UH090XV48C	9126120
EL16XC1S036-230B	TXV	35,600	16.00	13.00	CH35-48C	EL296UH110XE60C	9126121
EL16XC1S036-230B	TXV	35,400	16.00	13.00	CH35-48C	EL296UH110XV48C	9126122
EL16XC1S036-230B	TXV	35,600	16.00	13.00	CH35-48C	EL296UH110XV60C	9126123
EL16XC1S036-230B	TXV	35,800	16.00	13.00	CH35-48C	SL280UH090V60C	9126124
EL16XC1S036-230B	TXV	35,800	16.00	13.00	CH35-48C	SL280UH090XV60C	9126125
EL16XC1S036-230B	TXV	35,600	16.00	13.00	CH35-48C	SL280UH110V60C	9126126

NOTES:

TXV = Matched with Thermostatic Expansion Valve.

RFC = Matched with RFC metering device.

AHRI certified to AHRI Standard 210/240 (with 25 ft. of connecting refrigerant lines); 95°F outdoor air temperature, 80°F db / 67°F wb entering evaporator air.

All ratings include the use of a blower time delay relay (TDR). All Lennox variable-speed furnaces and Air Handlers have time delay capabilities. Other Furnaces and Air Handlers may require an optional time delay relay (**58M81**) for field installation. See furnace or air handler specifications to determine if relay is needed.

Also see Expansion Valve Kit Usage Table.

AHRI SYSTEM MATCHES - SOUTHWEST REGION - 036

NOTE - For the latest up-to-date system matches please visit the AHRI web site at <http://www.ahridirectory.org>

Model No.	Expansion Device	Capacity	SEER	EER	Coil or Air Handler	Furnace	AHRI Reference
EL16XC1S036-230B	TXV	35,600	16.00	13.00	CH35-48C	SL280UH110XV60C	9126127
EL16XC1S036-230B	TXV	35,400	16.00	13.00	CH35-48C	SLP98UH090XV36C	9126128
EL16XC1S036-230B	TXV	35,200	16.00	13.00	CH35-48C	SLP98UH090XV48C	9126129
EL16XC1S036-230B	TXV	35,600	16.00	13.00	CH35-48C	SLP98UH110XV60C	9126130
EL16XC1S036-230B	TXV	34,800	14.50	12.20	CH35-48C		9126131
EL16XC1S036-230B	TXV	36,000	16.00	13.00	CH35-51C	EL180UH090E60C	9126132
EL16XC1S036-230B	TXV	35,800	16.00	13.00	CH35-51C	EL180UH110E60C	9126133
EL16XC1S036-230B	TXV	35,800	16.00	13.00	CH35-51C	EL180UH110XE60C	9126134
EL16XC1S036-230B	TXV	35,800	16.00	13.00	CH35-51C	EL195UH090XE48C	9126135
EL16XC1S036-230B	TXV	36,000	16.00	13.00	CH35-51C	EL195UH110XE60C	9126136
EL16XC1S036-230B	TXV	35,800	16.00	13.00	CH35-51C	EL296UH090XE48C	9126137
EL16XC1S036-230B	TXV	35,800	16.00	13.00	CH35-51C	EL296UH090XV36C	9126138
EL16XC1S036-230B	TXV	35,800	16.00	13.00	CH35-51C	EL296UH090XV48C	9126139
EL16XC1S036-230B	TXV	36,000	16.00	13.00	CH35-51C	EL296UH110XE60C	9126140
EL16XC1S036-230B	TXV	36,000	16.00	13.00	CH35-51C	EL296UH110XV48C	9126141
EL16XC1S036-230B	TXV	36,000	16.00	13.00	CH35-51C	EL296UH110XV60C	9126142
EL16XC1S036-230B	TXV	36,000	16.00	13.00	CH35-51C	SL280UH090V60C	9126143
EL16XC1S036-230B	TXV	36,000	16.00	13.00	CH35-51C	SL280UH090XV60C	9126144
EL16XC1S036-230B	TXV	36,000	16.00	13.00	CH35-51C	SL280UH110V60C	9126145
EL16XC1S036-230B	TXV	36,000	16.00	13.00	CH35-51C	SL280UH110XV60C	9126146
EL16XC1S036-230B	TXV	35,800	16.00	13.00	CH35-51C	SLP98UH090XV36C	9126147
EL16XC1S036-230B	TXV	35,800	16.00	13.00	CH35-51C	SLP98UH090XV48C	9126148
EL16XC1S036-230B	TXV	36,000	16.00	13.00	CH35-51C	SLP98UH110XV60C	9126149
EL16XC1S036-230B	TXV	35,200	15.10	12.20	CH35-51C		9126150
EL16XC1S036-230B	TXV	34,000	15.10	12.20	CR33-30/36A	EL180DF045E36A	9126151
EL16XC1S036-230B	TXV	33,800	15.10	12.50	CR33-30/36A	SL280DF070V36A	9126152
EL16XC1S036-230B	TXV	33,800	15.50	12.50	CR33-30/36B	EL180DF070E36B	9126153
EL16XC1S036-230B	TXV	34,000	15.50	12.50	CR33-30/36B	EL180DF090E48B	9126154
EL16XC1S036-230B	TXV	33,800	14.50	12.20	CR33-30/36B	EL195DF045XE36B	9126155
EL16XC1S036-230B	TXV	33,800	15.10	12.50	CR33-30/36B	EL195DF070XE48B	9126156
EL16XC1S036-230B	TXV	33,800	14.50	12.20	CR33-30/36B	EL296DF045XE36B	9126157
EL16XC1S036-230B	TXV	33,800	15.10	12.20	CR33-30/36B	EL296DF045XV36B	9126158
EL16XC1S036-230B	TXV	33,800	15.10	12.50	CR33-30/36B	EL296DF070XE48B	9126159
EL16XC1S036-230B	TXV	33,800	14.50	12.20	CR33-30/36B	EL296DF070XV48B	9126160
EL16XC1S036-230B	TXV	34,000	15.50	12.50	CR33-30/36B	SL280DF090V48B	9126161
EL16XC1S036-230B	TXV	34,000	15.10	12.50	CR33-30/36B	SLP98DF070XV36B	9126162
EL16XC1S036-230B	TXV	34,000	15.50	12.50	CR33-30/36C	EL180DF110E60C	9126163
EL16XC1S036-230B	TXV	34,000	15.50	12.50	CR33-30/36C	EL195DF090XE48C	9126164
EL16XC1S036-230B	TXV	34,000	15.50	12.50	CR33-30/36C	EL195DF110XE60C	9126165
EL16XC1S036-230B	TXV	34,000	15.50	12.50	CR33-30/36C	EL296DF090XE48C	9126166
EL16XC1S036-230B	TXV	34,200	15.10	12.50	CR33-30/36C	EL296DF090XV60C	9126167
EL16XC1S036-230B	TXV	34,000	15.50	12.50	CR33-30/36C	EL296DF110XE60C	9126168
EL16XC1S036-230B	TXV	34,200	15.10	12.50	CR33-30/36C	EL296DF110XV60C	9126169
EL16XC1S036-230B	TXV	34,200	15.50	12.50	CR33-30/36C	SL280DF110V60C	9126170
EL16XC1S036-230B	TXV	34,000	15.10	12.50	CR33-30/36C	SLP98DF090XV36C	9126171
EL16XC1S036-230B	TXV	34,000	15.10	12.50	CR33-30/36C	SLP98DF090XV48C	9126172
EL16XC1S036-230B	TXV	34,200	15.10	12.50	CR33-30/36C	SLP98DF090XV60C	9126173
EL16XC1S036-230B	TXV	34,200	15.10	12.50	CR33-30/36C	SLP98DF110XV60C	9126174
EL16XC1S036-230B	TXV	34,200	16.00	13.00	CR33-48B	EL180DF070E36B	9126175

NOTES:

TXV = Matched with Thermostatic Expansion Valve.

RFC = Matched with RFC metering device.

AHRI certified to AHRI Standard 210/240 (with 25 ft. of connecting refrigerant lines); 95°F outdoor air temperature, 80°F db / 67°F wb entering evaporator air.

All ratings include the use of a blower time delay relay (TDR). All Lennox variable-speed furnaces and Air Handlers have time delay capabilities. Other Furnaces and Air Handlers may require an optional time delay relay (**58M81**) for field installation. See furnace or air handler specifications to determine if relay is needed.

Also see Expansion Valve Kit Usage Table.

AHRI SYSTEM MATCHES - SOUTHWEST REGION - 036

NOTE - For the latest up-to-date system matches please visit the AHRI web site at <http://www.ahridirectory.org>

Model No.	Expansion Device	Capacity	SEER	EER	Coil or Air Handler	Furnace	AHRI Reference
EL16XC1S036-230B	TXV	34,400	16.00	13.00	CR33-48B	EL180DF090E48B	9126176
EL16XC1S036-230B	TXV	34,000	15.10	12.50	CR33-48B	EL195DF045XE36B	9126177
EL16XC1S036-230B	TXV	34,200	15.50	12.50	CR33-48B	EL195DF070XE48B	9126178
EL16XC1S036-230B	TXV	34,000	15.10	12.50	CR33-48B	EL296DF045XE36B	9126179
EL16XC1S036-230B	TXV	34,200	15.10	12.50	CR33-48B	EL296DF045XV36B	9126180
EL16XC1S036-230B	TXV	34,200	15.50	12.50	CR33-48B	EL296DF070XE48B	9126181
EL16XC1S036-230B	TXV	34,400	15.10	12.50	CR33-48B	EL296DF070XV48B	9126182
EL16XC1S036-230B	TXV	34,400	15.50	12.50	CR33-48B	SL280DF090V48B	9126183
EL16XC1S036-230B	TXV	34,200	15.50	12.50	CR33-48B	SLP98DF070XV36B	9126184
EL16XC1S036-230B	TXV	33,800	14.50	12.00	CR33-48B		10238959
EL16XC1S036-230B	TXV	34,800	16.00	13.00	CR33-48C	EL180DF110E60C	9126185
EL16XC1S036-230B	TXV	34,600	16.00	13.00	CR33-48C	EL195DF090XE48C	9126186
EL16XC1S036-230B	TXV	34,600	16.00	13.00	CR33-48C	EL195DF110XE60C	9126187
EL16XC1S036-230B	TXV	34,600	16.00	13.00	CR33-48C	EL296DF090XE48C	9126188
EL16XC1S036-230B	TXV	34,600	15.50	12.50	CR33-48C	EL296DF090XV60C	9126189
EL16XC1S036-230B	TXV	34,600	16.00	13.00	CR33-48C	EL296DF110XE60C	9126190
EL16XC1S036-230B	TXV	34,600	15.50	12.50	CR33-48C	EL296DF110XV60C	9126191
EL16XC1S036-230B	TXV	34,600	16.00	13.00	CR33-48C	SL280DF110V60C	9126192
EL16XC1S036-230B	TXV	34,400	15.50	12.50	CR33-48C	SLP98DF090XV36C	9126193
EL16XC1S036-230B	TXV	34,200	16.00	13.00	CR33-48C	SLP98DF090XV48C	9126194
EL16XC1S036-230B	TXV	34,600	15.50	12.50	CR33-48C	SLP98DF090XV60C	9126195
EL16XC1S036-230B	TXV	34,600	15.50	12.50	CR33-48C	SLP98DF110XV60C	9126196
EL16XC1S036-230B	TXV	33,800	14.50	12.00	CR33-48C		10238960
EL16XC1S036-230B	TXV	34,600	15.50	12.50	CX34-31A	EL180UH045E36A	9126197
EL16XC1S036-230B	TXV	34,600	15.50	12.50	CX34-31A	EL180UH045XE36A	9126198
EL16XC1S036-230B	TXV	34,600	15.10	12.50	CX34-31A	SL280UH070V36A	9126199
EL16XC1S036-230B	TXV	34,600	15.10	12.50	CX34-31A	SL280UH070XV36A	9126200
EL16XC1S036-230B	TXV	34,200	14.50	12.00	CX34-31A		9126449
EL16XC1S036-230B	TXV	34,600	15.10	12.50	CX34-31B	EL180UH070E36B	9126201
EL16XC1S036-230B	TXV	34,600	15.10	12.50	CX34-31B	EL180UH070XE36B	9126202
EL16XC1S036-230B	TXV	34,400	15.50	12.50	CX34-31B	EL180UH090E48B	9126203
EL16XC1S036-230B	TXV	34,400	15.50	12.50	CX34-31B	EL180UH090XE48B	9126204
EL16XC1S036-230B	TXV	34,400	14.50	12.20	CX34-31B	EL195UH045XE36B	9126205
EL16XC1S036-230B	TXV	34,200	15.10	12.50	CX34-31B	EL195UH070XE36B	9126206
EL16XC1S036-230B	TXV	34,400	14.50	12.20	CX34-31B	EL296UH045XE36B	9126207
EL16XC1S036-230B	TXV	34,400	15.10	12.50	CX34-31B	EL296UH045XV36B	9126208
EL16XC1S036-230B	TXV	34,200	15.10	12.50	CX34-31B	EL296UH070XE36B	9126209
EL16XC1S036-230B	TXV	34,600	15.10	12.50	CX34-31B	EL296UH070XV36B	9126210
EL16XC1S036-230B	TXV	34,600	16.00	13.00	CX34-31B	SL280UH090V36B	9126211
EL16XC1S036-230B	TXV	34,600	15.50	12.50	CX34-31B	SL280UH090V48B	9126212
EL16XC1S036-230B	TXV	34,600	15.50	12.50	CX34-31B	SL280UH090XV48B	9126213
EL16XC1S036-230B	TXV	34,600	15.10	12.50	CX34-31B	SLP98UH070XV36B	9126214
EL16XC1S036-230B	TXV	34,200	14.50	12.00	CX34-31B		9126450
EL16XC1S036-230B	TXV	33,600	14.50	12.20	CX34-36A	EL180UH045E36A	9126215
EL16XC1S036-230B	TXV	33,600	14.50	12.20	CX34-36A	EL180UH045XE36A	9126216
EL16XC1S036-230B	TXV	33,200	15.10	12.50	CX34-36A	SL280UH070V36A	9126217
EL16XC1S036-230B	TXV	33,200	15.10	12.50	CX34-36A	SL280UH070XV36A	9126218
EL16XC1S036-230B	TXV	33,400	15.50	12.50	CX34-36B	EL180UH070E36B	9126219
EL16XC1S036-230B	TXV	33,400	15.50	12.50	CX34-36B	EL180UH070XE36B	9126220

NOTES:

TXV = Matched with Thermostatic Expansion Valve.

RFC = Matched with RFC metering device.

AHRI certified to AHRI Standard 210/240 (with 25 ft. of connecting refrigerant lines); 95°F outdoor air temperature, 80°F db / 67°F wb entering evaporator air. All ratings include the use of a blower time delay relay (TDR). All Lennox variable-speed furnaces and Air Handlers have time delay capabilities. Other Furnaces and Air Handlers may require an optional time delay relay (**58M81**) for field installation. See furnace or air handler specifications to determine if relay is needed.

Also see Expansion Valve Kit Usage Table.

AHRI SYSTEM MATCHES - SOUTHWEST REGION - 036

NOTE - For the latest up-to-date system matches please visit the AHRI web site at <http://www.ahridirectory.org>

Model No.	Expansion Device	Capacity	SEER	EER	Coil or Air Handler	Furnace	AHRI Reference
EL16XC1S036-230B	TXV	33,800	15.50	12.50	CX34-36B	EL180UH090E48B	9126221
EL16XC1S036-230B	TXV	33,800	15.50	12.50	CX34-36B	EL180UH090XE48B	9126222
EL16XC1S036-230B	TXV	33,000	15.10	12.20	CX34-36B	EL195UH045XE36B	9126223
EL16XC1S036-230B	TXV	33,400	15.10	12.50	CX34-36B	EL195UH070XE36B	9126224
EL16XC1S036-230B	TXV	33,000	15.10	12.20	CX34-36B	EL296UH045XE36B	9126225
EL16XC1S036-230B	TXV	33,000	14.50	12.20	CX34-36B	EL296UH045XV36B	9126226
EL16XC1S036-230B	TXV	33,400	15.10	12.50	CX34-36B	EL296UH070XE36B	9126227
EL16XC1S036-230B	TXV	33,200	15.10	12.50	CX34-36B	EL296UH070XV36B	9126228
EL16XC1S036-230B	TXV	33,600	15.50	12.50	CX34-36B	SL280UH090V36B	9126229
EL16XC1S036-230B	TXV	33,600	15.50	12.50	CX34-36B	SL280UH090V48B	9126230
EL16XC1S036-230B	TXV	33,600	15.50	12.50	CX34-36B	SL280UH090XV48B	9126231
EL16XC1S036-230B	TXV	33,200	15.10	12.50	CX34-36B	SLP98UH070XV36B	9126232
EL16XC1S036-230B	TXV	33,800	15.50	12.50	CX34-36C	EL180UH090E60C	9126233
EL16XC1S036-230B	TXV	33,400	15.50	12.50	CX34-36C	EL180UH110E60C	9126234
EL16XC1S036-230B	TXV	33,400	15.50	12.50	CX34-36C	EL180UH110XE60C	9126235
EL16XC1S036-230B	TXV	33,600	15.50	12.50	CX34-36C	EL195UH090XE48C	9126236
EL16XC1S036-230B	TXV	33,800	15.50	12.50	CX34-36C	EL195UH110XE60C	9126237
EL16XC1S036-230B	TXV	33,600	15.50	12.50	CX34-36C	EL296UH090XE48C	9126238
EL16XC1S036-230B	TXV	33,600	15.10	12.50	CX34-36C	EL296UH090XV36C	9126239
EL16XC1S036-230B	TXV	33,400	15.50	12.50	CX34-36C	EL296UH090XV48C	9126240
EL16XC1S036-230B	TXV	33,800	15.50	12.50	CX34-36C	EL296UH110XE60C	9126241
EL16XC1S036-230B	TXV	33,600	15.50	12.50	CX34-36C	EL296UH110XV48C	9126242
EL16XC1S036-230B	TXV	33,600	15.10	12.50	CX34-36C	SLP98UH090XV36C	9126243
EL16XC1S036-230B	TXV	33,400	15.50	12.50	CX34-36C	SLP98UH090XV48C	9126244
EL16XC1S036-230B	TXV	35,000	15.50	12.50	CX34-38A	EL180UH045E36A	9126245
EL16XC1S036-230B	TXV	35,000	15.50	12.50	CX34-38A	EL180UH045XE36A	9126246
EL16XC1S036-230B	TXV	35,000	15.50	12.50	CX34-38A	SL280UH070V36A	9126247
EL16XC1S036-230B	TXV	35,000	15.50	12.50	CX34-38A	SL280UH070XV36A	9126248
EL16XC1S036-230B	TXV	34,600	14.50	12.20	CX34-38A		9126249
EL16XC1S036-230B	TXV	34,800	16.00	13.00	CX34-38B	EL180UH070E36B	9126250
EL16XC1S036-230B	TXV	34,800	16.00	13.00	CX34-38B	EL180UH070XE36B	9126251
EL16XC1S036-230B	TXV	35,200	16.00	13.00	CX34-38B	EL180UH090E48B	9126252
EL16XC1S036-230B	TXV	35,200	16.00	13.00	CX34-38B	EL180UH090XE48B	9126253
EL16XC1S036-230B	TXV	34,800	15.10	12.50	CX34-38B	EL195UH045XE36B	9126254
EL16XC1S036-230B	TXV	34,800	15.50	12.50	CX34-38B	EL195UH070XE36B	9126255
EL16XC1S036-230B	TXV	34,800	15.10	12.50	CX34-38B	EL296UH045XE36B	9126256
EL16XC1S036-230B	TXV	35,000	15.50	12.50	CX34-38B	EL296UH045XV36B	9126257
EL16XC1S036-230B	TXV	34,800	15.50	12.50	CX34-38B	EL296UH070XE36B	9126258
EL16XC1S036-230B	TXV	35,000	15.50	12.50	CX34-38B	EL296UH070XV36B	9126259
EL16XC1S036-230B	TXV	35,000	16.00	13.00	CX34-38B	SL280UH090V36B	9126260
EL16XC1S036-230B	TXV	35,200	16.00	13.00	CX34-38B	SL280UH090V48B	9126261
EL16XC1S036-230B	TXV	35,200	16.00	13.00	CX34-38B	SL280UH090XV48B	9126262
EL16XC1S036-230B	TXV	35,000	15.50	12.50	CX34-38B	SLP98UH070XV36B	9126263
EL16XC1S036-230B	TXV	34,600	14.50	12.20	CX34-38B		9126264
EL16XC1S036-230B	TXV	33,400	15.50	12.50	CX34-42	EL180UH070E36B	9126265
EL16XC1S036-230B	TXV	33,400	15.50	12.50	CX34-42	EL180UH070XE36B	9126266
EL16XC1S036-230B	TXV	33,800	15.50	12.50	CX34-42	EL180UH090E48B	9126267
EL16XC1S036-230B	TXV	33,800	15.50	12.50	CX34-42	EL180UH090XE48B	9126268
EL16XC1S036-230B	TXV	33,000	15.10	12.20	CX34-42	EL195UH045XE36B	9126269

NOTES:

TXV = Matched with Thermostatic Expansion Valve.

RFC = Matched with RFC metering device.

AHRI certified to AHRI Standard 210/240 (with 25 ft. of connecting refrigerant lines); 95°F outdoor air temperature, 80°F db / 67°F wb entering evaporator air.

All ratings include the use of a blower time delay relay (TDR). All Lennox variable-speed furnaces and Air Handlers have time delay capabilities. Other Furnaces and Air Handlers may require an optional time delay relay (**58M81**) for field installation. See furnace or air handler specifications to determine if relay is needed.

Also see Expansion Valve Kit Usage Table.

AHRI SYSTEM MATCHES - SOUTHWEST REGION - 036

NOTE - For the latest up-to-date system matches please visit the AHRI web site at <http://www.ahridirectory.org>

Model No.	Expansion Device	Capacity	SEER	EER	Coil or Air Handler	Furnace	AHRI Reference
EL16XC1S036-230B	TXV	33,400	15.10	12.50	CX34-42	EL195UH070XE36B	9126270
EL16XC1S036-230B	TXV	33,000	15.10	12.20	CX34-42	EL296UH045XE36B	9126271
EL16XC1S036-230B	TXV	33,400	14.50	12.20	CX34-42	EL296UH045XV36B	9126272
EL16XC1S036-230B	TXV	33,400	15.10	12.50	CX34-42	EL296UH070XE36B	9126273
EL16XC1S036-230B	TXV	33,200	15.10	12.50	CX34-42	EL296UH070XV36B	9126274
EL16XC1S036-230B	TXV	33,600	15.50	12.50	CX34-42	SL280UH090V36B	9126275
EL16XC1S036-230B	TXV	33,600	15.50	12.50	CX34-42	SL280UH090V48B	9126276
EL16XC1S036-230B	TXV	33,600	15.50	12.50	CX34-42	SL280UH090XV48B	9126277
EL16XC1S036-230B	TXV	33,200	15.10	12.50	CX34-42	SLP98UH070XV36B	9126278
EL16XC1S036-230B	TXV	35,200	16.00	13.00	CX34-43B	EL180UH070E36B	9126279
EL16XC1S036-230B	TXV	35,200	16.00	13.00	CX34-43B	EL180UH070XE36B	9126280
EL16XC1S036-230B	TXV	35,600	16.00	13.00	CX34-43B	EL180UH090E48B	9126281
EL16XC1S036-230B	TXV	35,600	16.00	13.00	CX34-43B	EL180UH090XE48B	9126282
EL16XC1S036-230B	TXV	35,000	15.10	12.50	CX34-43B	EL195UH045XE36B	9126283
EL16XC1S036-230B	TXV	35,000	16.00	13.00	CX34-43B	EL195UH070XE36B	9126284
EL16XC1S036-230B	TXV	35,000	15.10	12.50	CX34-43B	EL296UH045XE36B	9126285
EL16XC1S036-230B	TXV	35,200	15.50	12.50	CX34-43B	EL296UH045XV36B	9126286
EL16XC1S036-230B	TXV	35,000	16.00	13.00	CX34-43B	EL296UH070XE36B	9126287
EL16XC1S036-230B	TXV	35,200	15.50	12.50	CX34-43B	EL296UH070XV36B	9126288
EL16XC1S036-230B	TXV	35,200	16.00	13.00	CX34-43B	SL280UH090V36B	9126289
EL16XC1S036-230B	TXV	35,400	16.00	13.00	CX34-43B	SL280UH090V48B	9126290
EL16XC1S036-230B	TXV	35,400	16.00	13.00	CX34-43B	SL280UH090XV48B	9126291
EL16XC1S036-230B	TXV	35,200	15.50	12.50	CX34-43B	SLP98UH070XV36B	9126292
EL16XC1S036-230B	TXV	34,800	14.50	12.20	CX34-43B		9126293
EL16XC1S036-230B	TXV	35,600	16.00	13.00	CX34-43C	EL180UH090E60C	9126294
EL16XC1S036-230B	TXV	35,200	16.00	13.00	CX34-43C	EL180UH110E60C	9126295
EL16XC1S036-230B	TXV	35,200	16.00	13.00	CX34-43C	EL180UH110XE60C	9126296
EL16XC1S036-230B	TXV	35,200	16.00	13.00	CX34-43C	EL195UH090XE48C	9126297
EL16XC1S036-230B	TXV	35,600	16.00	13.00	CX34-43C	EL195UH110XE60C	9126298
EL16XC1S036-230B	TXV	35,200	16.00	13.00	CX34-43C	EL296UH090XE48C	9126299
EL16XC1S036-230B	TXV	35,400	16.00	13.00	CX34-43C	EL296UH090XV36C	9126300
EL16XC1S036-230B	TXV	35,200	16.00	13.00	CX34-43C	EL296UH090XV48C	9126301
EL16XC1S036-230B	TXV	35,600	16.00	13.00	CX34-43C	EL296UH110XE60C	9126302
EL16XC1S036-230B	TXV	35,400	16.00	13.00	CX34-43C	EL296UH110XV48C	9126303
EL16XC1S036-230B	TXV	35,600	16.00	13.00	CX34-43C	EL296UH110XV60C	9126304
EL16XC1S036-230B	TXV	35,800	16.00	13.00	CX34-43C	SL280UH090V60C	9126305
EL16XC1S036-230B	TXV	35,800	16.00	13.00	CX34-43C	SL280UH090XV60C	9126306
EL16XC1S036-230B	TXV	35,600	16.00	13.00	CX34-43C	SL280UH110V60C	9126307
EL16XC1S036-230B	TXV	35,600	16.00	13.00	CX34-43C	SL280UH110XV60C	9126308
EL16XC1S036-230B	TXV	35,400	16.00	13.00	CX34-43C	SLP98UH090XV36C	9126309
EL16XC1S036-230B	TXV	35,200	16.00	13.00	CX34-43C	SLP98UH090XV48C	9126310
EL16XC1S036-230B	TXV	35,600	16.00	13.00	CX34-43C	SLP98UH110XV60C	9126311
EL16XC1S036-230B	TXV	34,800	14.50	12.20	CX34-43C		9126312
EL16XC1S036-230B	TXV	34,600	16.00	13.00	CX34-44/48B	EL180UH070E36B	9126313
EL16XC1S036-230B	TXV	34,600	16.00	13.00	CX34-44/48B	EL180UH070XE36B	9126314
EL16XC1S036-230B	TXV	35,000	16.00	13.00	CX34-44/48B	EL180UH090E48B	9126315
EL16XC1S036-230B	TXV	35,000	16.00	13.00	CX34-44/48B	EL180UH090XE48B	9126316
EL16XC1S036-230B	TXV	34,200	15.50	12.50	CX34-44/48B	EL195UH045XE36B	9126317
EL16XC1S036-230B	TXV	34,400	15.50	12.50	CX34-44/48B	EL195UH070XE36B	9126318

NOTES:

TXV = Matched with Thermostatic Expansion Valve.

RFC = Matched with RFC metering device.

AHRI certified to AHRI Standard 210/240 (with 25 ft. of connecting refrigerant lines); 95°F outdoor air temperature, 80°F db / 67°F wb entering evaporator air. All ratings include the use of a blower time delay relay (TDR). All Lennox variable-speed furnaces and Air Handlers have time delay capabilities. Other Furnaces and Air Handlers may require an optional time delay relay (**58M81**) for field installation. See furnace or air handler specifications to determine if relay is needed.

Also see Expansion Valve Kit Usage Table.

AHRI SYSTEM MATCHES - SOUTHWEST REGION - 036

NOTE - For the latest up-to-date system matches please visit the AHRI web site at <http://www.ahridirectory.org>

Model No.	Expansion Device	Capacity	SEER	EER	Coil or Air Handler	Furnace	AHRI Reference
EL16XC1S036-230B	TXV	34,200	15.50	12.50	CX34-44/48B	EL296UH045XE36B	9126319
EL16XC1S036-230B	TXV	34,600	15.10	12.50	CX34-44/48B	EL296UH045XV36B	9126320
EL16XC1S036-230B	TXV	34,400	15.50	12.50	CX34-44/48B	EL296UH070XE36B	9126321
EL16XC1S036-230B	TXV	34,600	15.50	12.50	CX34-44/48B	EL296UH070XV36B	9126322
EL16XC1S036-230B	TXV	34,800	16.00	13.00	CX34-44/48B	SL280UH090V36B	9126323
EL16XC1S036-230B	TXV	34,800	16.00	13.00	CX34-44/48B	SL280UH090V48B	9126324
EL16XC1S036-230B	TXV	34,800	16.00	13.00	CX34-44/48B	SL280UH090XV48B	9126325
EL16XC1S036-230B	TXV	34,600	15.50	12.50	CX34-44/48B	SLP98UH070XV36B	9126326
EL16XC1S036-230B	TXV	34,200	14.50	12.00	CX34-44/48B		9126451
EL16XC1S036-230B	TXV	35,000	16.00	13.00	CX34-44/48C	EL180UH090E60C	9126327
EL16XC1S036-230B	TXV	34,600	16.00	13.00	CX34-44/48C	EL180UH110E60C	9126328
EL16XC1S036-230B	TXV	34,600	16.00	13.00	CX34-44/48C	EL180UH110XE60C	9126329
EL16XC1S036-230B	TXV	34,600	16.00	13.00	CX34-44/48C	EL195UH090XE48C	9126330
EL16XC1S036-230B	TXV	35,000	16.00	13.00	CX34-44/48C	EL195UH110XE60C	9126331
EL16XC1S036-230B	TXV	34,600	16.00	13.00	CX34-44/48C	EL296UH090XE48C	9126332
EL16XC1S036-230B	TXV	34,800	16.00	13.00	CX34-44/48C	EL296UH090XV36C	9126333
EL16XC1S036-230B	TXV	34,600	16.00	13.00	CX34-44/48C	EL296UH090XV48C	9126334
EL16XC1S036-230B	TXV	35,000	16.00	13.00	CX34-44/48C	EL296UH110XE60C	9126335
EL16XC1S036-230B	TXV	34,800	16.00	13.00	CX34-44/48C	EL296UH110XV48C	9126336
EL16XC1S036-230B	TXV	35,000	16.00	13.00	CX34-44/48C	EL296UH110XV60C	9126337
EL16XC1S036-230B	TXV	35,200	16.00	13.00	CX34-44/48C	SL280UH090V60C	9126338
EL16XC1S036-230B	TXV	35,200	16.00	13.00	CX34-44/48C	SL280UH090XV60C	9126339
EL16XC1S036-230B	TXV	35,000	16.00	13.00	CX34-44/48C	SL280UH110V60C	9126340
EL16XC1S036-230B	TXV	35,000	16.00	13.00	CX34-44/48C	SL280UH110XV60C	9126341
EL16XC1S036-230B	TXV	34,800	16.00	13.00	CX34-44/48C	SLP98UH090XV36C	9126342
EL16XC1S036-230B	TXV	34,600	16.00	13.00	CX34-44/48C	SLP98UH090XV48C	9126343
EL16XC1S036-230B	TXV	35,000	16.00	13.00	CX34-44/48C	SLP98UH110XV60C	9126344
EL16XC1S036-230B	TXV	34,200	14.50	12.00	CX34-44/48C		9126452
EL16XC1S036-230B	TXV	35,800	16.00	13.00	CX34-49	EL180UH090E60C	9126345
EL16XC1S036-230B	TXV	35,600	16.00	13.00	CX34-49	EL180UH110E60C	9126346
EL16XC1S036-230B	TXV	35,600	16.00	13.00	CX34-49	EL180UH110XE60C	9126347
EL16XC1S036-230B	TXV	35,600	16.00	13.00	CX34-49	EL195UH090XE48C	9126348
EL16XC1S036-230B	TXV	36,000	16.00	13.00	CX34-49	EL195UH110XE60C	9126349
EL16XC1S036-230B	TXV	35,600	16.00	13.00	CX34-49	EL296UH090XE48C	9126350
EL16XC1S036-230B	TXV	35,800	16.00	13.00	CX34-49	EL296UH090XV36C	9126351
EL16XC1S036-230B	TXV	35,600	16.00	13.00	CX34-49	EL296UH090XV48C	9126352
EL16XC1S036-230B	TXV	36,000	16.00	13.00	CX34-49	EL296UH110XE60C	9126353
EL16XC1S036-230B	TXV	35,800	16.00	13.00	CX34-49	EL296UH110XV48C	9126354
EL16XC1S036-230B	TXV	36,000	16.00	13.00	CX34-49	EL296UH110XV60C	9126355
EL16XC1S036-230B	TXV	36,000	16.00	13.00	CX34-49	SL280UH090V60C	9126356
EL16XC1S036-230B	TXV	36,000	16.00	13.00	CX34-49	SL280UH090XV60C	9126357
EL16XC1S036-230B	TXV	36,000	16.00	13.00	CX34-49	SL280UH110V60C	9126358
EL16XC1S036-230B	TXV	36,000	16.00	13.00	CX34-49	SL280UH110XV60C	9126359
EL16XC1S036-230B	TXV	35,800	16.00	13.00	CX34-49	SLP98UH090XV36C	9126360
EL16XC1S036-230B	TXV	35,600	16.00	13.00	CX34-49	SLP98UH090XV48C	9126361
EL16XC1S036-230B	TXV	36,000	16.00	13.00	CX34-49	SLP98UH110XV60C	9126362
EL16XC1S036-230B	TXV	35,200	14.50	12.20	CX34-49		9126363

NOTES:

TXV = Matched with Thermostatic Expansion Valve.

RFC = Matched with RFC metering device.

AHRI certified to AHRI Standard 210/240 (with 25 ft. of connecting refrigerant lines); 95°F outdoor air temperature, 80°F db / 67°F wb entering evaporator air.

All ratings include the use of a blower time delay relay (TDR). All Lennox variable-speed furnaces and Air Handlers have time delay capabilities. Other Furnaces and Air Handlers may require an optional time delay relay (58M81) for field installation. See furnace or air handler specifications to determine if relay is needed.

Also see Expansion Valve Kit Usage Table.

AHRI SYSTEM MATCHES - SOUTHWEST REGION - 036

NOTE - For the latest up-to-date system matches please visit the AHRI web site at <http://www.ahridirectory.org>

Model No.	Expansion Device	Capacity	SEER	EER	Coil or Air Handler	Furnace	AHRI Reference
EL16XC1S036-230B	TXV	35,400	16.00	13.00	CX34-50/60C	EL180UH090E60C	9126364
EL16XC1S036-230B	TXV	35,000	16.00	13.00	CX34-50/60C	EL180UH110E60C	9126365
EL16XC1S036-230B	TXV	35,000	16.00	13.00	CX34-50/60C	EL180UH110XE60C	9126366
EL16XC1S036-230B	TXV	35,000	16.00	13.00	CX34-50/60C	EL195UH090XE48C	9126367
EL16XC1S036-230B	TXV	35,400	16.00	13.00	CX34-50/60C	EL195UH110XE60C	9126368
EL16XC1S036-230B	TXV	35,000	16.00	13.00	CX34-50/60C	EL296UH090XE48C	9126369
EL16XC1S036-230B	TXV	35,200	16.00	13.00	CX34-50/60C	EL296UH090XV36C	9126370
EL16XC1S036-230B	TXV	35,000	16.00	13.00	CX34-50/60C	EL296UH090XV48C	9126371
EL16XC1S036-230B	TXV	35,400	16.00	13.00	CX34-50/60C	EL296UH110XE60C	9126372
EL16XC1S036-230B	TXV	35,200	16.00	13.00	CX34-50/60C	EL296UH110XV48C	9126373
EL16XC1S036-230B	TXV	35,400	16.00	13.00	CX34-50/60C	EL296UH110XV60C	9126374
EL16XC1S036-230B	TXV	35,600	16.00	13.00	CX34-50/60C	SL280UH090V60C	9126375
EL16XC1S036-230B	TXV	35,600	16.00	13.00	CX34-50/60C	SL280UH090XV60C	9126376
EL16XC1S036-230B	TXV	35,400	16.00	13.00	CX34-50/60C	SL280UH110V60C	9126377
EL16XC1S036-230B	TXV	35,400	16.00	13.00	CX34-50/60C	SL280UH110XV60C	9126378
EL16XC1S036-230B	TXV	35,200	16.00	13.00	CX34-50/60C	SLP98UH090XV36C	9126379
EL16XC1S036-230B	TXV	35,000	16.00	13.00	CX34-50/60C	SLP98UH090XV48C	9126380
EL16XC1S036-230B	TXV	35,400	16.00	13.00	CX34-50/60C	SLP98UH110XV60C	9126381
EL16XC1S036-230B	TXV	34,600	14.50	12.20	CX34-50/60C		9126382
EL16XC1S036-230B	TXV	33,600	15.10	12.20	CX35-30/36A	EL180UH045E36A	9126383
EL16XC1S036-230B	TXV	33,600	15.10	12.20	CX35-30/36A	EL180UH045XE36A	9126384
EL16XC1S036-230B	TXV	33,400	15.10	12.50	CX35-30/36A	SL280UH070V36A	9126385
EL16XC1S036-230B	TXV	33,400	15.10	12.50	CX35-30/36A	SL280UH070XV36A	9126386
EL16XC1S036-230B	TXV	33,600	15.50	12.50	CX35-30/36B	EL180UH070E36B	9126387
EL16XC1S036-230B	TXV	33,600	15.50	12.50	CX35-30/36B	EL180UH070XE36B	9126388
EL16XC1S036-230B	TXV	34,000	15.50	12.50	CX35-30/36B	EL180UH090E48B	9126389
EL16XC1S036-230B	TXV	34,000	15.50	12.50	CX35-30/36B	EL180UH090XE48B	9126390
EL16XC1S036-230B	TXV	33,200	15.10	12.50	CX35-30/36B	EL195UH045XE36B	9126391
EL16XC1S036-230B	TXV	33,200	15.10	12.50	CX35-30/36B	EL296UH045XE36B	9126392
EL16XC1S036-230B	TXV	33,200	15.10	12.20	CX35-30/36B	EL296UH045XV36B	9126393
EL16XC1S036-230B	TXV	33,400	15.10	12.50	CX35-30/36B	EL296UH070XV36B	9126394
EL16XC1S036-230B	TXV	33,600	15.50	12.50	CX35-30/36B	SL280UH090V36B	9126395
EL16XC1S036-230B	TXV	33,800	15.50	12.50	CX35-30/36B	SL280UH090V48B	9126396
EL16XC1S036-230B	TXV	33,800	15.50	12.50	CX35-30/36B	SL280UH090XV48B	9126397
EL16XC1S036-230B	TXV	33,400	15.10	12.50	CX35-30/36B	SLP98UH070XV36B	9126398
EL16XC1S036-230B	TXV	34,000	15.50	12.50	CX35-30/36C	EL180UH090E60C	9126399
EL16XC1S036-230B	TXV	33,600	15.50	12.50	CX35-30/36C	EL180UH110E60C	9126400
EL16XC1S036-230B	TXV	33,600	15.50	12.50	CX35-30/36C	EL180UH110XE60C	9126401
EL16XC1S036-230B	TXV	33,600	15.50	12.50	CX35-30/36C	EL195UH090XE48C	9126402
EL16XC1S036-230B	TXV	34,000	15.50	12.50	CX35-30/36C	EL195UH110XE60C	9126403
EL16XC1S036-230B	TXV	33,600	15.50	12.50	CX35-30/36C	EL296UH090XE48C	9126404
EL16XC1S036-230B	TXV	33,800	15.50	12.50	CX35-30/36C	EL296UH090XV36C	9126405
EL16XC1S036-230B	TXV	33,600	15.50	12.50	CX35-30/36C	EL296UH090XV48C	9126406
EL16XC1S036-230B	TXV	34,000	15.50	12.50	CX35-30/36C	EL296UH110XE60C	9126407
EL16XC1S036-230B	TXV	33,800	15.50	12.50	CX35-30/36C	EL296UH110XV48C	9126408
EL16XC1S036-230B	TXV	33,800	15.50	12.50	CX35-30/36C	SLP98UH090XV36C	9126409
EL16XC1S036-230B	TXV	33,600	15.50	12.50	CX35-30/36C	SLP98UH090XV48C	9126410
EL16XC1S036-230B	TXV	34,000	15.50	12.50	CX35-30/36C	SLP98UH110XV60C	9126411
EL16XC1S036-230B	TXV	34,800	15.50	12.50	CX35-30A	EL180UH045E36A	9126412

NOTES:

TXV = Matched with Thermostatic Expansion Valve.

RFC = Matched with RFC metering device.

AHRI certified to AHRI Standard 210/240 (with 25 ft. of connecting refrigerant lines); 95°F outdoor air temperature, 80°F db / 67°F wb entering evaporator air.

All ratings include the use of a blower time delay relay (TDR). All Lennox variable-speed furnaces and Air Handlers have time delay capabilities. Other Furnaces and Air Handlers may require an optional time delay relay (**58M81**) for field installation. See furnace or air handler specifications to determine if relay is needed.

Also see Expansion Valve Kit Usage Table.

AHRI SYSTEM MATCHES - SOUTHWEST REGION - 036

NOTE - For the latest up-to-date system matches please visit the AHRI web site at <http://www.ahridirectory.org>

Model No.	Expansion Device	Capacity	SEER	EER	Coil or Air Handler	Furnace	AHRI Reference
EL16XC1S036-230B	TXV	34,800	15.50	12.50	CX35-30A	EL180UH045XE36A	9126413
EL16XC1S036-230B	TXV	34,600	15.50	12.50	CX35-30A	SL280UH070V36A	9126414
EL16XC1S036-230B	TXV	34,600	15.50	12.50	CX35-30A	SL280UH070XV36A	9126415
EL16XC1S036-230B	TXV	34,400	16.00	13.00	CX35-30B	EL180UH070E36B	9126416
EL16XC1S036-230B	TXV	34,400	16.00	13.00	CX35-30B	EL180UH070XE36B	9126417
EL16XC1S036-230B	TXV	34,600	15.50	12.50	CX35-30B	EL180UH090E48B	9126418
EL16XC1S036-230B	TXV	34,600	15.50	12.50	CX35-30B	EL180UH090XE48B	9126419
EL16XC1S036-230B	TXV	34,400	14.50	12.20	CX35-30B	EL195UH045XE36B	9126420
EL16XC1S036-230B	TXV	34,400	15.50	12.50	CX35-30B	EL195UH070XE36B	9126421
EL16XC1S036-230B	TXV	34,400	14.50	12.20	CX35-30B	EL296UH045XE36B	9126422
EL16XC1S036-230B	TXV	34,600	15.10	12.50	CX35-30B	EL296UH045XV36B	9126423
EL16XC1S036-230B	TXV	34,400	15.50	12.50	CX35-30B	EL296UH070XE36B	9126424
EL16XC1S036-230B	TXV	34,600	15.50	12.50	CX35-30B	EL296UH070XV36B	9126425
EL16XC1S036-230B	TXV	34,800	16.00	13.00	CX35-30B	SL280UH090V36B	9126426
EL16XC1S036-230B	TXV	34,800	16.00	13.00	CX35-30B	SL280UH090V48B	9126427
EL16XC1S036-230B	TXV	34,800	16.00	13.00	CX35-30B	SL280UH090XV48B	9126428
EL16XC1S036-230B	TXV	34,600	15.50	12.50	CX35-30B	SLP98UH070XV36B	9126429
EL16XC1S036-230B	TXV	35,200	15.50	12.50	CX35-36A	EL180UH045E36A	9126430
EL16XC1S036-230B	TXV	35,200	15.50	12.50	CX35-36A	EL180UH045XE36A	9126431
EL16XC1S036-230B	TXV	35,000	15.50	12.50	CX35-36A	SL280UH070V36A	9126432
EL16XC1S036-230B	TXV	35,000	15.50	12.50	CX35-36A	SL280UH070XV36A	9126433
EL16XC1S036-230B	TXV	34,600	14.50	12.20	CX35-36A		9126434
EL16XC1S036-230B	TXV	35,000	16.00	13.00	CX35-36B	EL180UH070E36B	9126435
EL16XC1S036-230B	TXV	35,000	16.00	13.00	CX35-36B	EL180UH070XE36B	9126436
EL16XC1S036-230B	TXV	35,400	16.00	13.00	CX35-36B	EL180UH090E48B	9126437
EL16XC1S036-230B	TXV	35,400	16.00	13.00	CX35-36B	EL180UH090XE48B	9126438
EL16XC1S036-230B	TXV	34,600	15.50	12.50	CX35-36B	EL195UH045XE36B	10150019
EL16XC1S036-230B	TXV	35,000	15.50	12.50	CX35-36B	EL195UH070XE36B	10150020
EL16XC1S036-230B	TXV	34,600	15.50	12.50	CX35-36B	EL296UH045XE36B	10150021
EL16XC1S036-230B	TXV	35,000	15.50	12.50	CX35-36B	EL296UH045XV36B	10150022
EL16XC1S036-230B	TXV	35,000	15.50	12.50	CX35-36B	EL296UH070XE36B	10150023
EL16XC1S036-230B	TXV	35,000	15.50	12.50	CX35-36B	EL296UH070XV36B	10150024
EL16XC1S036-230B	TXV	35,200	16.00	13.00	CX35-36B	SL280UH090V36B	10150025
EL16XC1S036-230B	TXV	35,200	16.00	13.00	CX35-36B	SL280UH090V48B	10150026
EL16XC1S036-230B	TXV	35,200	16.00	13.00	CX35-36B	SL280UH090XV48B	10150027
EL16XC1S036-230B	TXV	35,000	15.50	12.50	CX35-36B	SLP98UH070XV36B	10150028
EL16XC1S036-230B	TXV	35,200	16.00	13.00	CX35-48B	EL180UH070E36B	10150030
EL16XC1S036-230B	TXV	35,200	16.00	13.00	CX35-48B	EL180UH070XE36B	10150031
EL16XC1S036-230B	TXV	35,600	16.00	13.00	CX35-48B	EL180UH090E48B	10150032
EL16XC1S036-230B	TXV	35,600	16.00	13.00	CX35-48B	EL180UH090XE48B	10150033
EL16XC1S036-230B	TXV	34,800	15.50	12.50	CX35-48B	EL195UH045XE36B	10150034
EL16XC1S036-230B	TXV	35,200	16.00	13.00	CX35-48B	EL195UH070XE36B	10150035
EL16XC1S036-230B	TXV	34,800	15.50	12.50	CX35-48B	EL296UH045XE36B	10150036
EL16XC1S036-230B	TXV	35,200	15.50	12.50	CX35-48B	EL296UH045XV36B	10150037
EL16XC1S036-230B	TXV	35,200	16.00	13.00	CX35-48B	EL296UH070XE36B	10150038
EL16XC1S036-230B	TXV	35,200	15.50	12.50	CX35-48B	EL296UH070XV36B	10150039
EL16XC1S036-230B	TXV	35,400	16.00	13.00	CX35-48B	SL280UH090V36B	10150040
EL16XC1S036-230B	TXV	35,400	16.00	13.00	CX35-48B	SL280UH090V48B	10150041

NOTES:

TXV = Matched with Thermostatic Expansion Valve.

RFC = Matched with RFC metering device.

AHRI certified to AHRI Standard 210/240 (with 25 ft. of connecting refrigerant lines); 95°F outdoor air temperature, 80°F db / 67°F wb entering evaporator air.

All ratings include the use of a blower time delay relay (TDR). All Lennox variable-speed furnaces and Air Handlers have time delay capabilities. Other Furnaces and Air Handlers may require an optional time delay relay (**58M81**) for field installation. See furnace or air handler specifications to determine if relay is needed.

Also see Expansion Valve Kit Usage Table.

AHRI SYSTEM MATCHES - SOUTHWEST REGION - 036

NOTE - For the latest up-to-date system matches please visit the AHRI web site at <http://www.ahridirectory.org>

Model No.	Expansion Device	Capacity	SEER	EER	Coil or Air Handler	Furnace	AHRI Reference
EL16XC1S036-230B	TXV	35,400	16.00	13.00	CX35-48B	SL280UH090XV48B	10150042
EL16XC1S036-230B	TXV	35,200	15.50	12.50	CX35-48B	SLP98UH070XV36B	10150043
EL16XC1S036-230B	TXV	34,800	14.50	12.20	CX35-48B		10150029
EL16XC1S036-230B	TXV	35,600	16.00	13.00	CX35-48C	EL180UH090E60C	10150045
EL16XC1S036-230B	TXV	35,200	16.00	13.00	CX35-48C	EL180UH110E60C	10150046
EL16XC1S036-230B	TXV	35,200	16.00	13.00	CX35-48C	EL180UH110XE60C	10150047
EL16XC1S036-230B	TXV	35,400	16.00	13.00	CX35-48C	EL195UH090XE48C	10150048
EL16XC1S036-230B	TXV	35,600	16.00	13.00	CX35-48C	EL195UH110XE60C	10150049
EL16XC1S036-230B	TXV	35,400	16.00	13.00	CX35-48C	EL296UH090XE48C	10150050
EL16XC1S036-230B	TXV	35,400	16.00	13.00	CX35-48C	EL296UH090XV36C	10150051
EL16XC1S036-230B	TXV	35,200	16.00	13.00	CX35-48C	EL296UH090XV48C	10150052
EL16XC1S036-230B	TXV	35,600	16.00	13.00	CX35-48C	EL296UH110XE60C	10150053
EL16XC1S036-230B	TXV	35,400	16.00	13.00	CX35-48C	EL296UH110XV48C	10150054
EL16XC1S036-230B	TXV	35,800	16.00	13.00	CX35-48C	EL296UH110XV60C	10150055
EL16XC1S036-230B	TXV	35,800	16.00	13.00	CX35-48C	SL280UH090V60C	10150056
EL16XC1S036-230B	TXV	35,800	16.00	13.00	CX35-48C	SL280UH090XV60C	10150057
EL16XC1S036-230B	TXV	35,600	16.00	13.00	CX35-48C	SL280UH110V60C	10150058
EL16XC1S036-230B	TXV	35,600	16.00	13.00	CX35-48C	SL280UH110XV60C	10150059
EL16XC1S036-230B	TXV	35,400	16.00	13.00	CX35-48C	SLP98UH090XV36C	10150060
EL16XC1S036-230B	TXV	35,200	16.00	13.00	CX35-48C	SLP98UH090XV48C	10150061
EL16XC1S036-230B	TXV	35,800	16.00	13.00	CX35-48C	SLP98UH110XV60C	10150062
EL16XC1S036-230B	TXV	34,800	14.50	12.20	CX35-48C		10150044
EL16XC1S036-230B	TXV	36,000	16.00	13.00	CX35-49C	EL180UH090E60C	10150064
EL16XC1S036-230B	TXV	35,600	16.00	13.00	CX35-49C	EL180UH110E60C	10150065
EL16XC1S036-230B	TXV	35,600	16.00	13.00	CX35-49C	EL180UH110XE60C	10150066
EL16XC1S036-230B	TXV	35,600	16.00	13.00	CX35-49C	EL195UH090XE48C	10150067
EL16XC1S036-230B	TXV	36,000	16.00	13.00	CX35-49C	EL195UH110XE60C	10150068
EL16XC1S036-230B	TXV	35,600	16.00	13.00	CX35-49C	EL296UH090XE48C	10150069
EL16XC1S036-230B	TXV	35,800	16.00	13.00	CX35-49C	EL296UH090XV36C	10150070
EL16XC1S036-230B	TXV	35,600	16.00	13.00	CX35-49C	EL296UH090XV48C	10150071
EL16XC1S036-230B	TXV	36,000	16.00	13.00	CX35-49C	EL296UH110XE60C	10150072
EL16XC1S036-230B	TXV	35,800	16.00	13.00	CX35-49C	EL296UH110XV48C	10150073
EL16XC1S036-230B	TXV	36,000	16.00	13.00	CX35-49C	EL296UH110XV60C	10150074
EL16XC1S036-230B	TXV	36,000	16.00	13.00	CX35-49C	SL280UH090V60C	10150075
EL16XC1S036-230B	TXV	36,000	16.00	13.00	CX35-49C	SL280UH090XV60C	10150076
EL16XC1S036-230B	TXV	36,000	16.00	13.00	CX35-49C	SL280UH110V60C	10150077
EL16XC1S036-230B	TXV	36,000	16.00	13.00	CX35-49C	SL280UH110XV60C	10150078
EL16XC1S036-230B	TXV	35,800	16.00	13.00	CX35-49C	SLP98UH090XV36C	10150079
EL16XC1S036-230B	TXV	35,600	16.00	13.00	CX35-49C	SLP98UH090XV48C	10150080
EL16XC1S036-230B	TXV	36,000	16.00	13.00	CX35-49C	SLP98UH110XV60C	10150081
EL16XC1S036-230B	TXV	35,200	14.50	12.20	CX35-49C		10150063
EL16XC1S036-230B	TXV	35,400	16.00	13.00	CX35-50/60C	EL180UH090E60C	10150083
EL16XC1S036-230B	TXV	35,000	16.00	13.00	CX35-50/60C	EL180UH110E60C	10150084
EL16XC1S036-230B	TXV	35,000	16.00	13.00	CX35-50/60C	EL180UH110XE60C	10150085
EL16XC1S036-230B	TXV	35,200	16.00	13.00	CX35-50/60C	EL195UH090XE48C	10150086
EL16XC1S036-230B	TXV	35,400	16.00	13.00	CX35-50/60C	EL195UH110XE60C	10150087
EL16XC1S036-230B	TXV	35,200	16.00	13.00	CX35-50/60C	EL296UH090XE48C	10150088
EL16XC1S036-230B	TXV	35,200	16.00	13.00	CX35-50/60C	EL296UH090XV36C	10150089
EL16XC1S036-230B	TXV	35,000	16.00	13.00	CX35-50/60C	EL296UH090XV48C	10150090

NOTES:

TXV = Matched with Thermostatic Expansion Valve.

RFC = Matched with RFC metering device.

AHRI certified to AHRI Standard 210/240 (with 25 ft. of connecting refrigerant lines); 95°F outdoor air temperature, 80°F db / 67°F wb entering evaporator air.

All ratings include the use of a blower time delay relay (TDR). All Lennox variable-speed furnaces and Air Handlers have time delay capabilities. Other Furnaces and Air Handlers may require an optional time delay relay (**58M81**) for field installation. See furnace or air handler specifications to determine if relay is needed.

Also see Expansion Valve Kit Usage Table.

AHRI SYSTEM MATCHES - SOUTHWEST REGION - 036

NOTE - For the latest up-to-date system matches please visit the AHRI web site at <http://www.ahridirectory.org>

Model No.	Expansion Device	Capacity	SEER	EER	Coil or Air Handler	Furnace	AHRI Reference
EL16XC1S036-230B	TXV	35,400	16.00	13.00	CX35-50/60C	EL296UH110XE60C	10150091
EL16XC1S036-230B	TXV	35,200	16.00	13.00	CX35-50/60C	EL296UH110XV48C	10150092
EL16XC1S036-230B	TXV	35,600	16.00	13.00	CX35-50/60C	EL296UH110XV60C	10150093
EL16XC1S036-230B	TXV	35,600	16.00	13.00	CX35-50/60C	SL280UH090V60C	10150094
EL16XC1S036-230B	TXV	35,600	16.00	13.00	CX35-50/60C	SL280UH090XV60C	10150095
EL16XC1S036-230B	TXV	35,400	16.00	13.00	CX35-50/60C	SL280UH110V60C	10150096
EL16XC1S036-230B	TXV	35,400	16.00	13.00	CX35-50/60C	SL280UH110XV60C	10150097
EL16XC1S036-230B	TXV	35,200	16.00	13.00	CX35-50/60C	SLP98UH090XV36C	10150098
EL16XC1S036-230B	TXV	35,000	16.00	13.00	CX35-50/60C	SLP98UH090XV48C	10150099
EL16XC1S036-230B	TXV	35,600	16.00	13.00	CX35-50/60C	SLP98UH110XV60C	10150100
EL16XC1S036-230B	TXV	34,600	14.50	12.20	CX35-50/60C		10150082

NOTES:

TXV = Matched with Thermostatic Expansion Valve.

RFC = Matched with RFC metering device.

AHRI certified to AHRI Standard 210/240 (with 25 ft. of connecting refrigerant lines); 95°F outdoor air temperature, 80°F db / 67°F wb entering evaporator air.

All ratings include the use of a blower time delay relay (TDR). All Lennox variable-speed furnaces and Air Handlers have time delay capabilities. Other Furnaces and Air Handlers may require an optional time delay relay (**58M81**) for field installation. See furnace or air handler specifications to determine if relay is needed.

Also see Expansion Valve Kit Usage Table.

REVISIONS

Sections	Description of Change
AHRI System Matches	Updated



Intertek

Visit us at www.lennox.com

For the latest technical information, www.LennoxPROs.com

Contact us at 1-800-4-LENNOX



NOTE - Due to Lennox' ongoing commitment to quality, Specifications, Ratings and Dimensions subject to change without notice and without incurring liability.

Improper installation, adjustment, alteration, service or maintenance can cause property damage or personal injury.

Installation and service must be performed by a qualified installer and servicing agency.

©2017 Lennox Industries, Inc.